

- | | | | | | | | | | | | |
|--------------------------------|------------------------------|--|--------------------------------|--------------------------------|-------------------------------|--------------------------------|--------------------|------------------------------|--------------------|------------------------------|--------------------------------|
| A

#1.8x40
x17 | B

#4x12
x17 | C

x10 | D

#3.5x30
x16 | E1

L=34.5
x9 | E2

L=34.5
x9 | F

#1.5x15
x18 | G

x1 | H

#3x25
x12 | I

x6 | J

#3x25
x16 | K

#3.5x30
x10 |
| L

#4x12
x17 | M

#3x25
x20 | N

N1: 2x
N2: 2x
N3: 2x
N4: 2x
x2 | | O

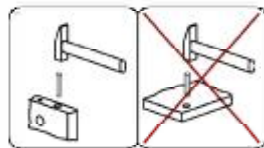
#3.5x35
x10 | P

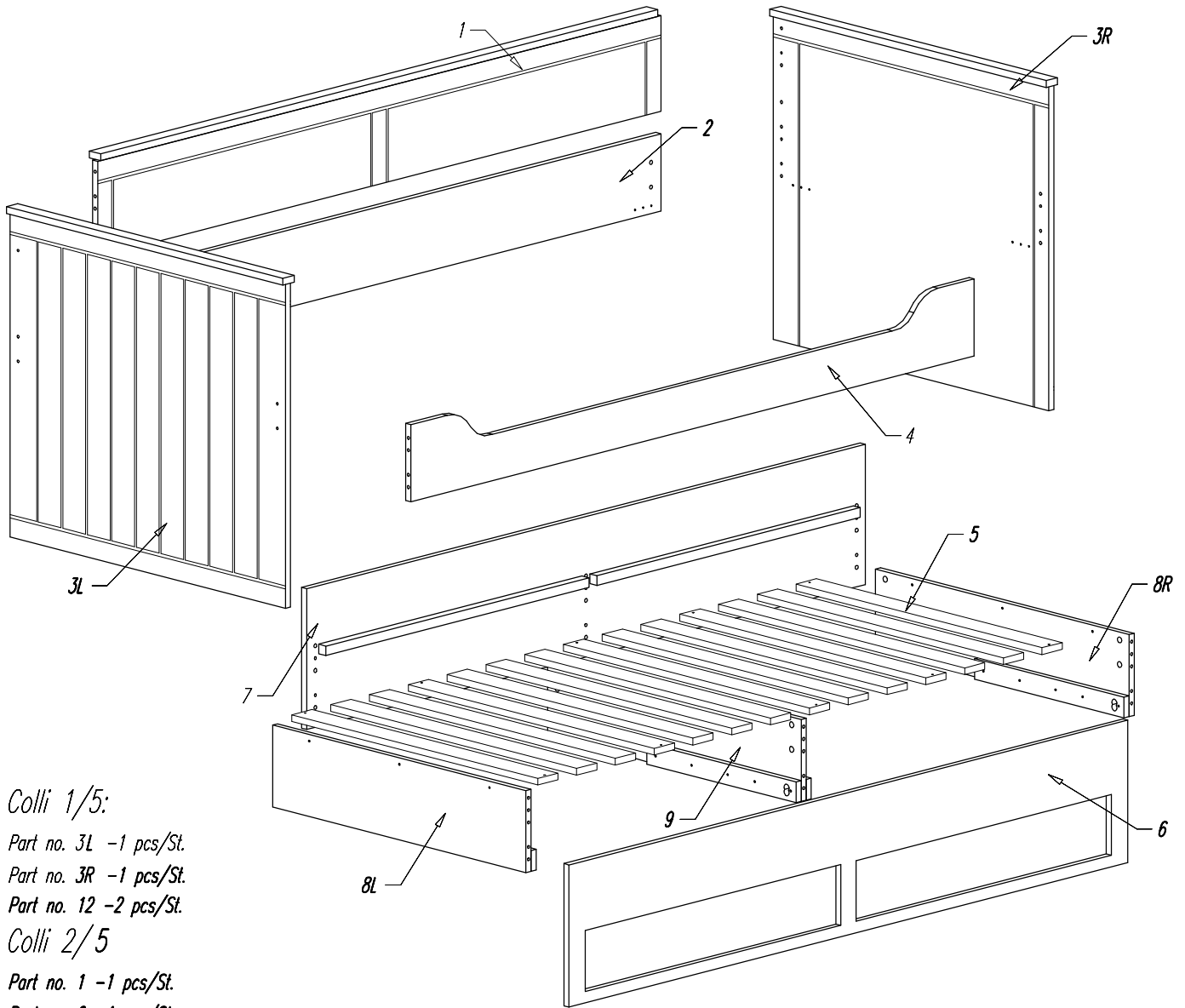
#4x16
x24 | R

x4 | K

x1 | | | | |

Tudo's required
Outils/Noije ncessarie
#1200095





Colli 1/5:

Part no. 3L -1 pcs/St.

Part no. 3R -1 pcs/St.

Part no. 12 -2 pcs/St.

Colli 2/5

Part no. 1 -1 pcs/St.

Part no. 2 -1 pcs/St.

Part no. 4 -1 pcs/St.

Colli 3/5

Part no. 6 -1 pcs/St.

Part no. 7 -1 pcs/St.

Part no. 11 -4 pcs/St.

Part no. 13 -2 pcs/St.

Part no. 14 -2 pcs/St.

Colli 4/5

Part no. 8L -1 pcs/St.

Part no. 8R -1 pcs/St.

Part no. 9 -1 pcs/St.

Part no. 10 -2 pcs/St.

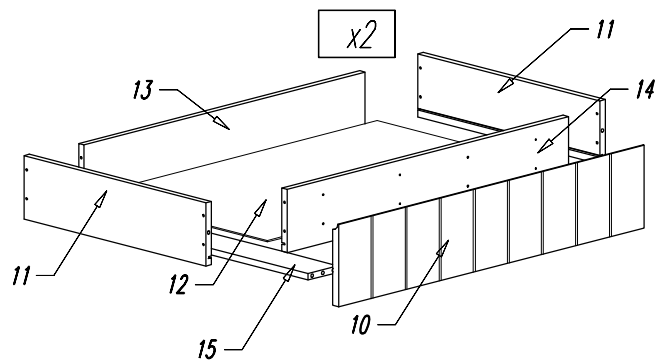
Part no. 15 -2 pcs/St.

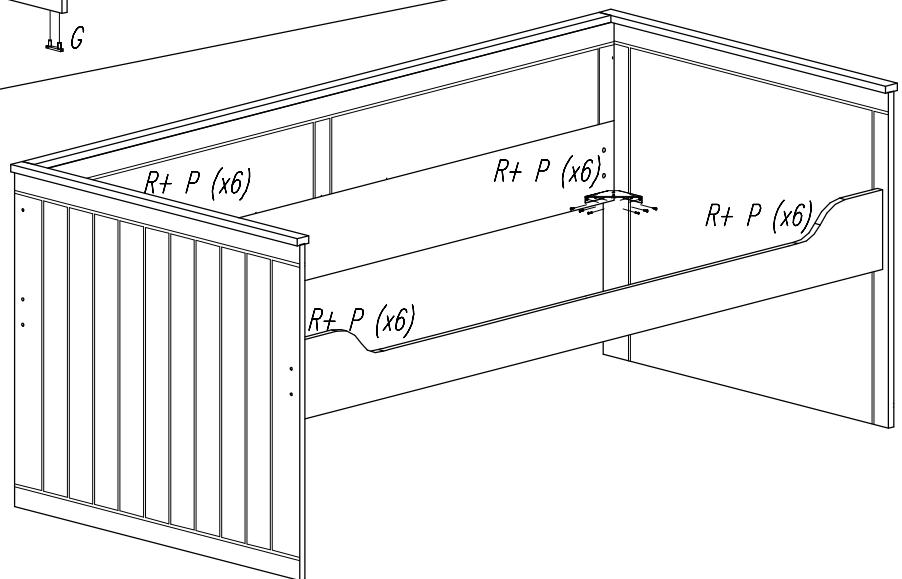
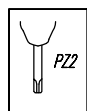
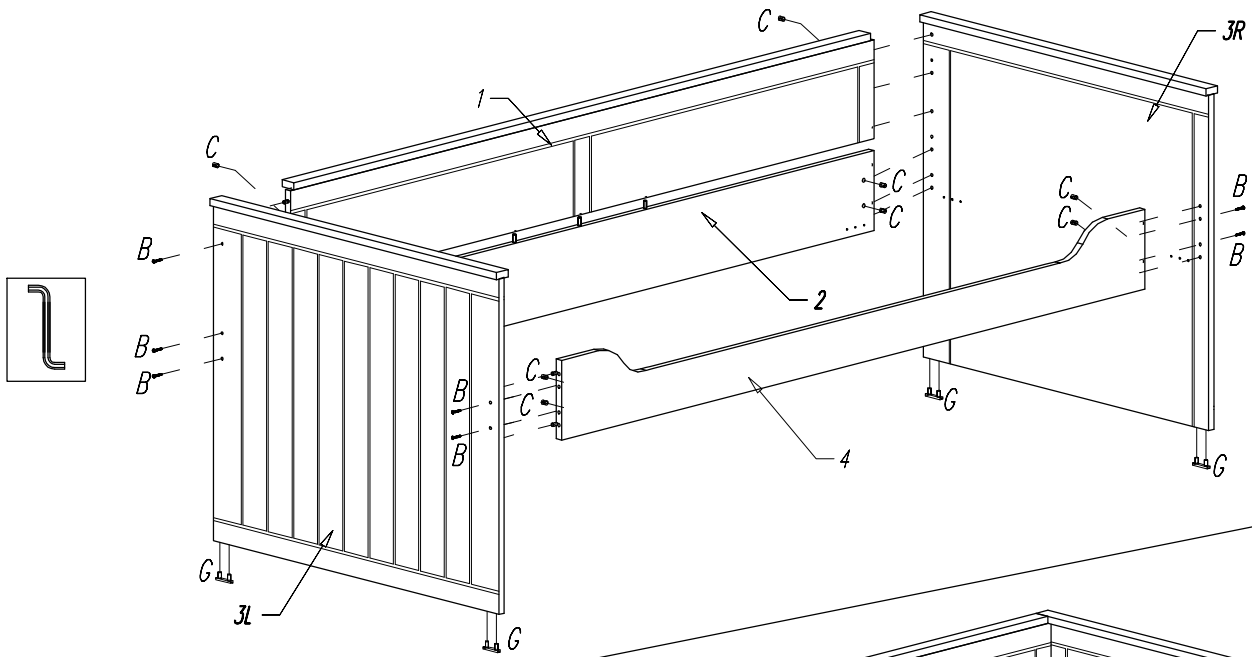
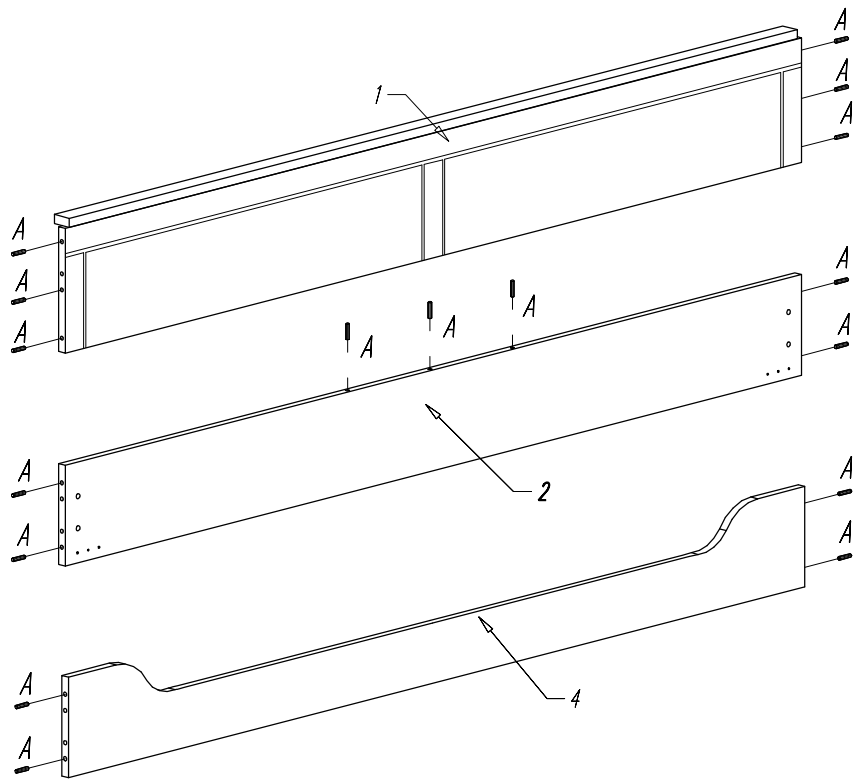
Fittings/Beschlage

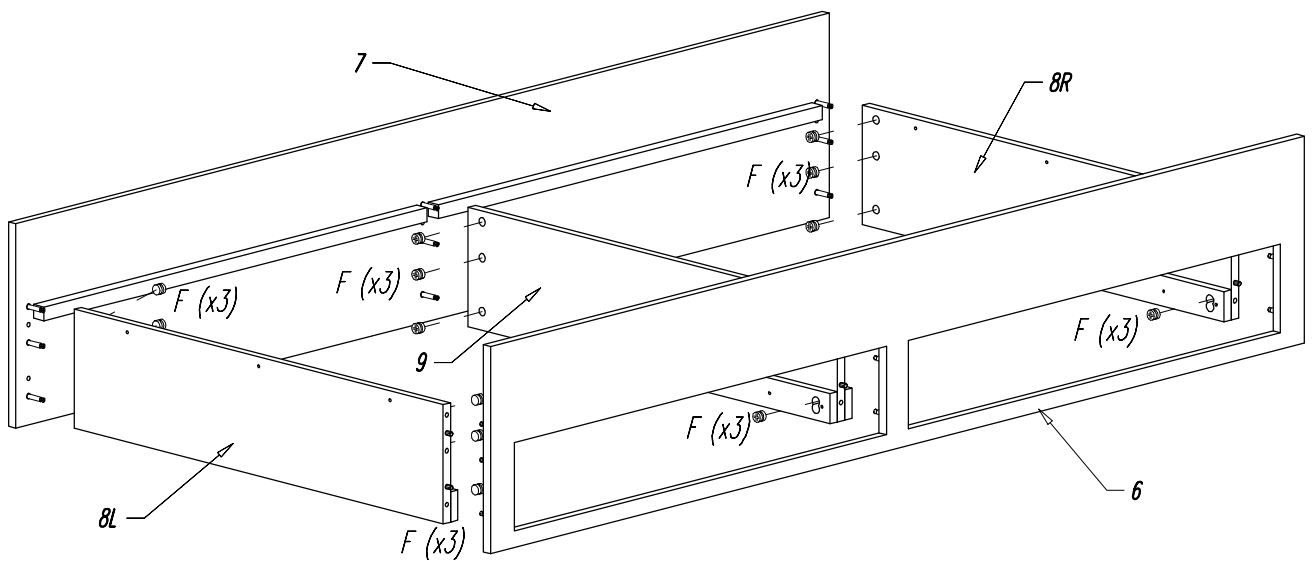
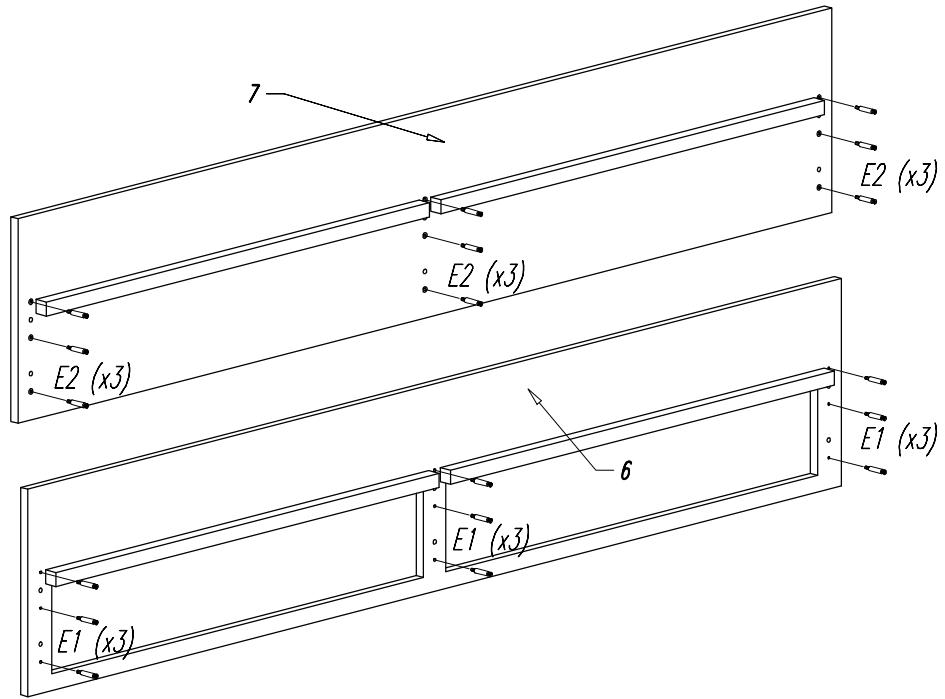
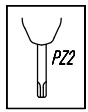
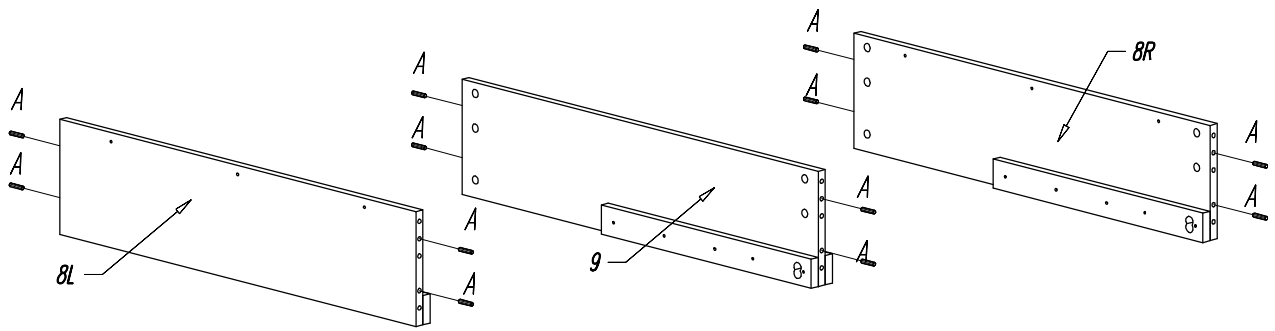
Assembly instruction/Montageanleitung

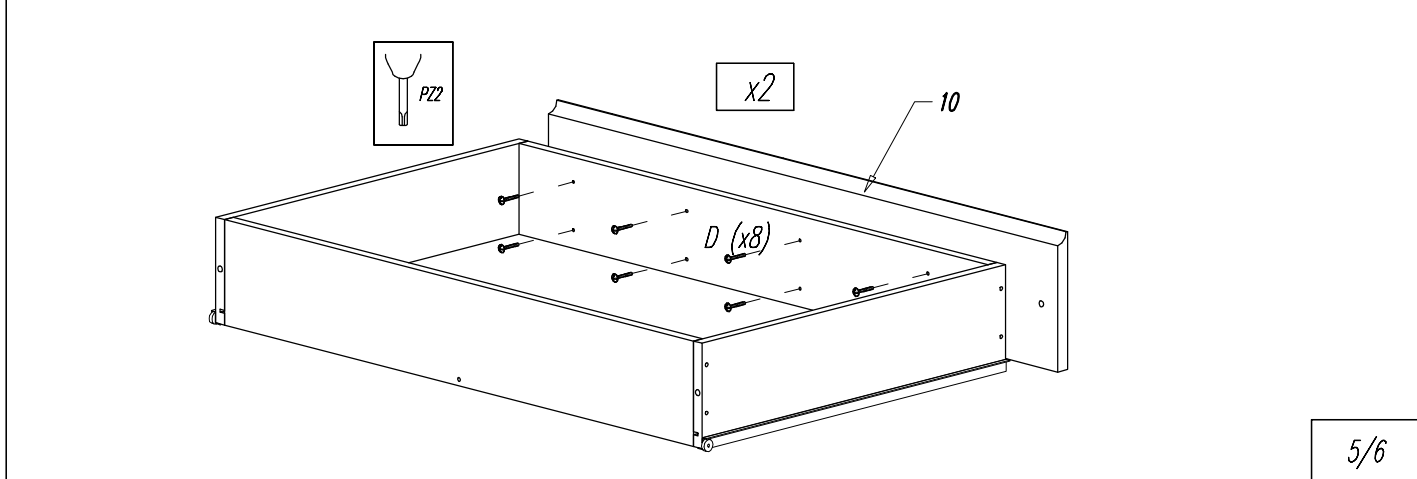
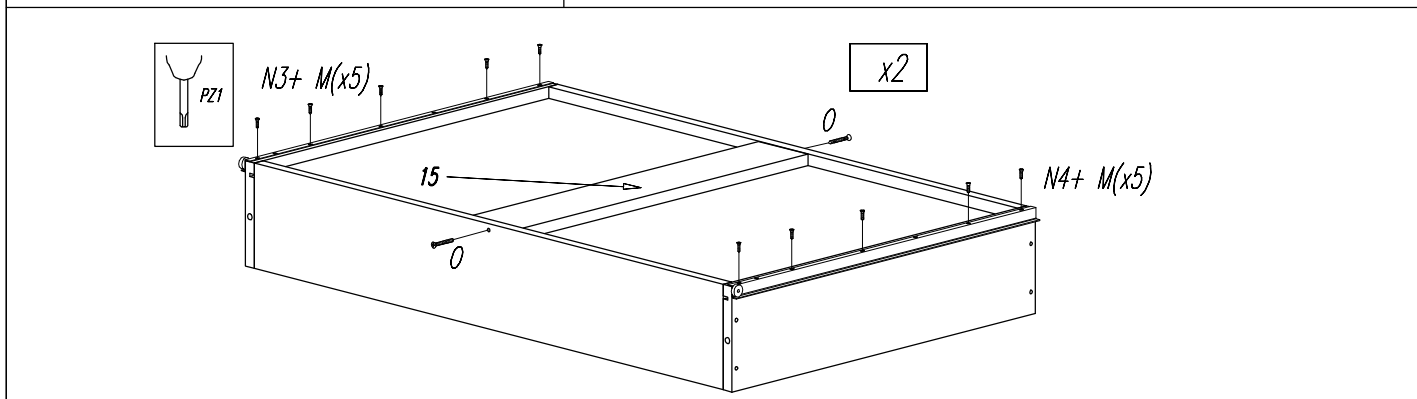
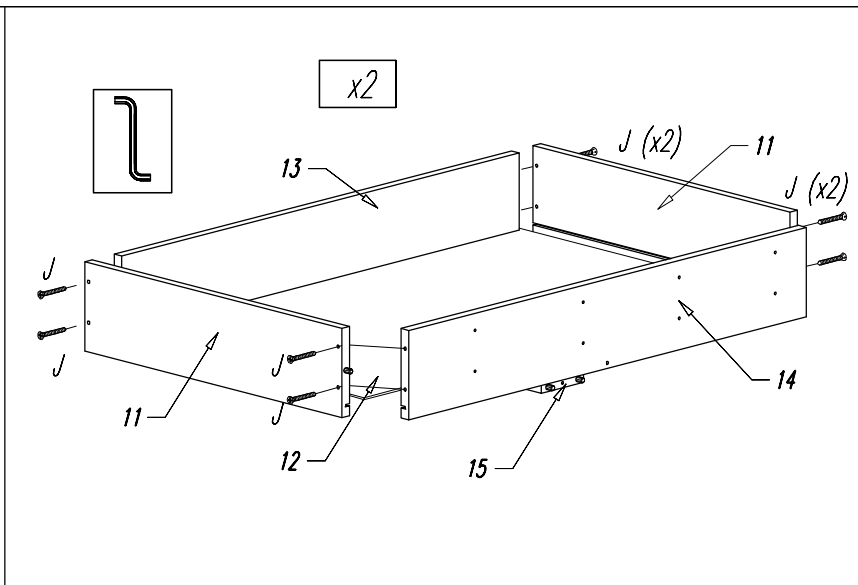
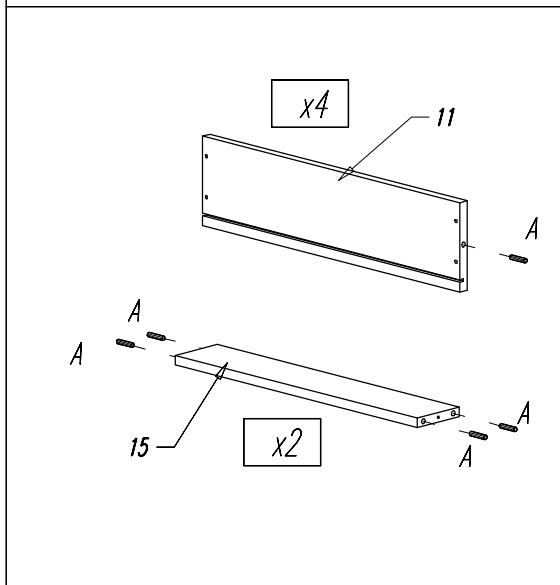
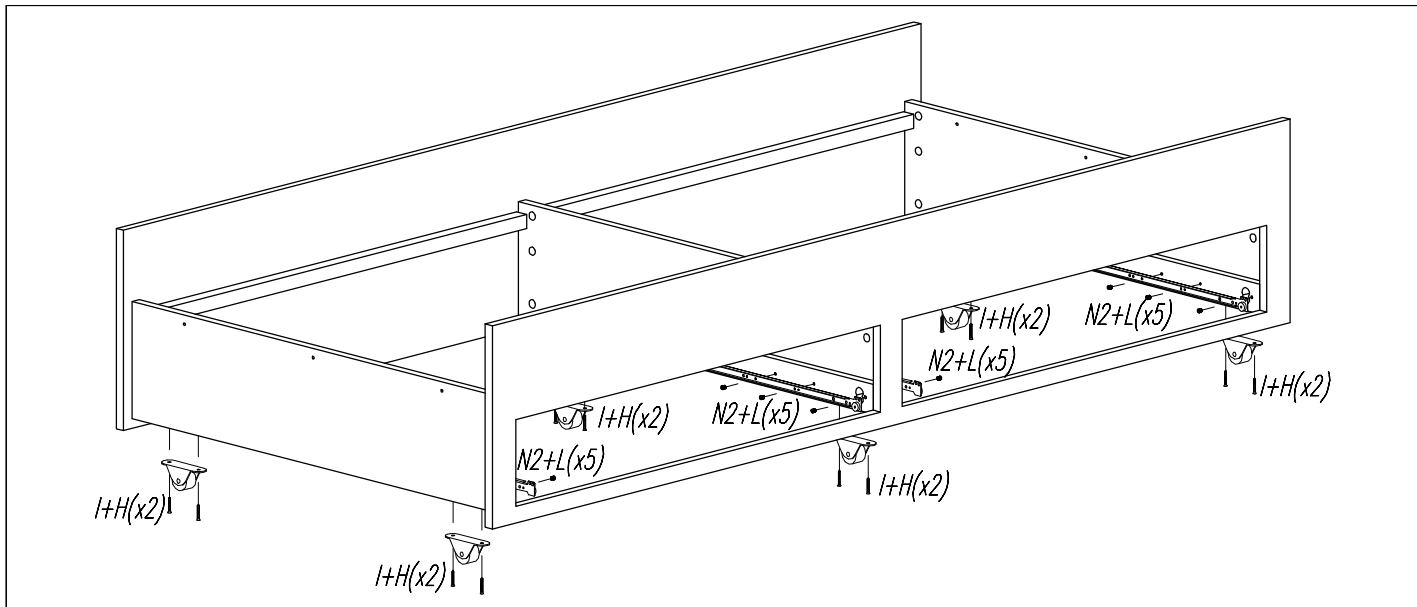
Colli 5/5

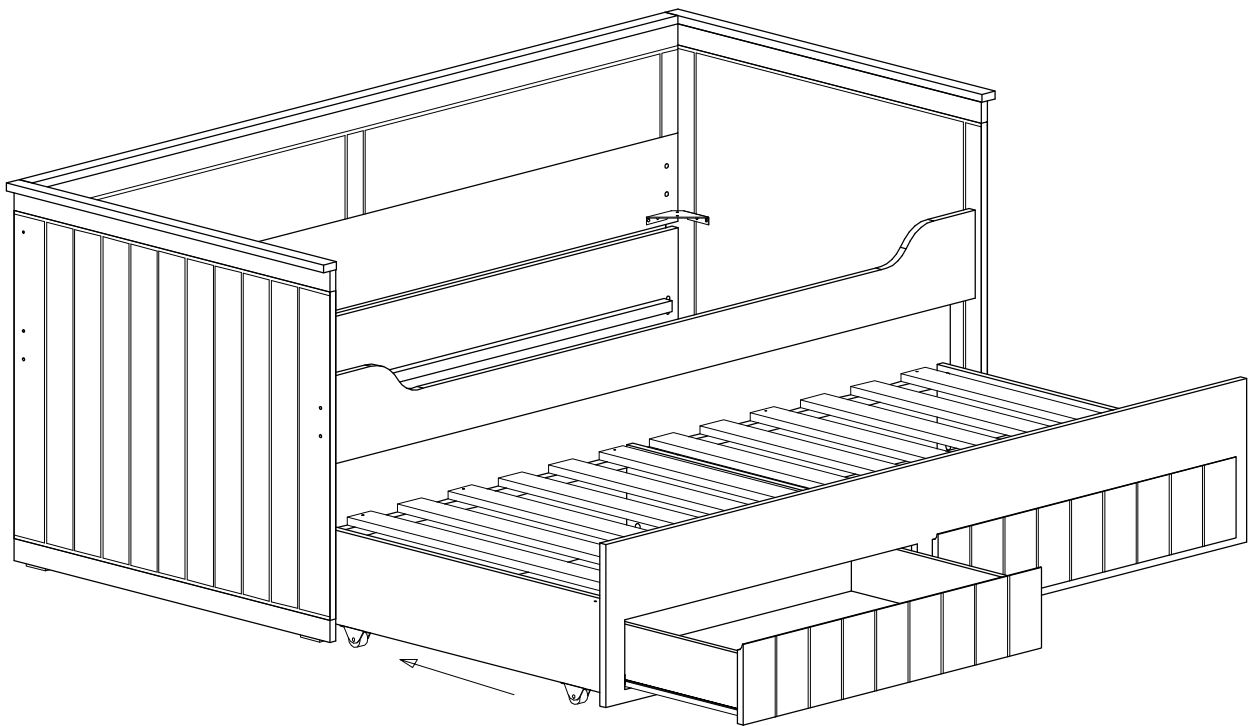
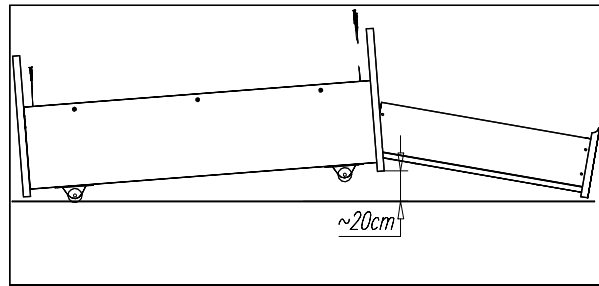
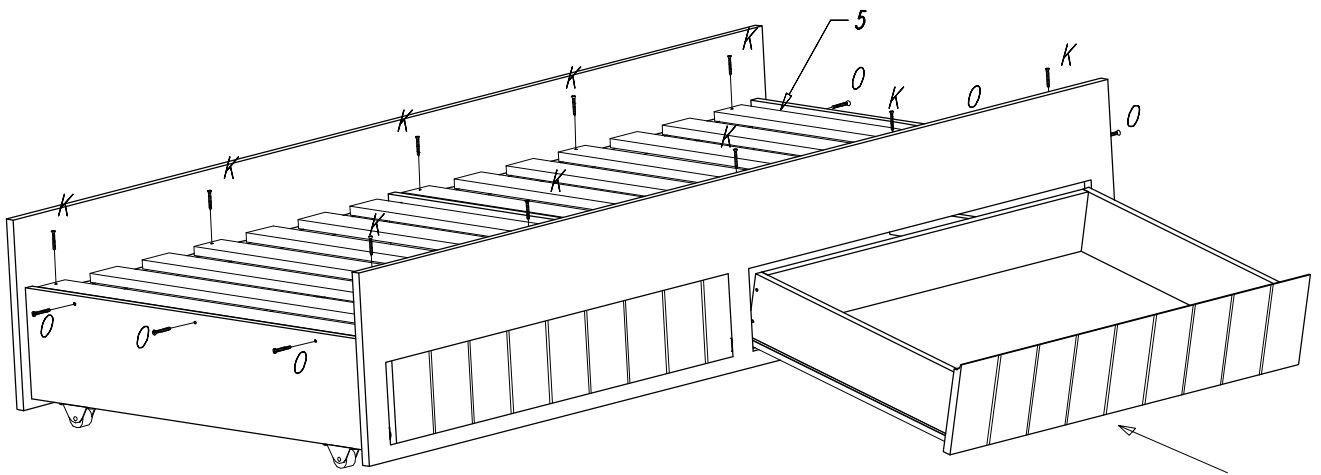
Part no. 5 -1 pcs/St.









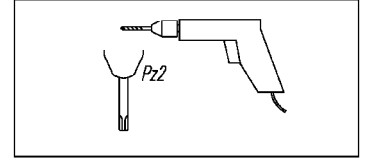
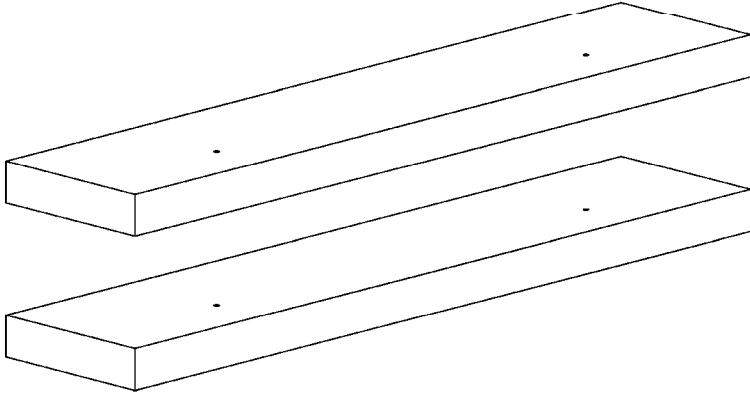


LARA

VIPACK
FURNITURE

Deken Debostraat 70a B-8791 Beveren-Leie

LALP10



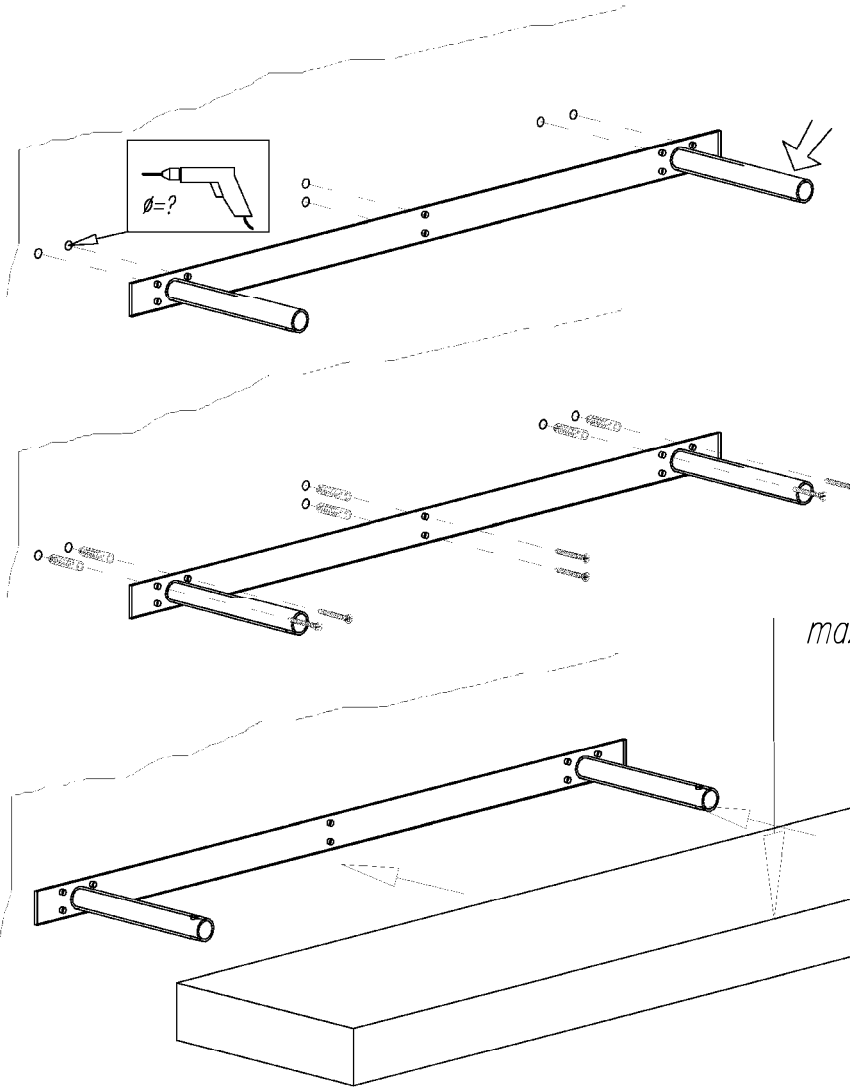
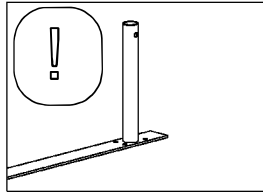
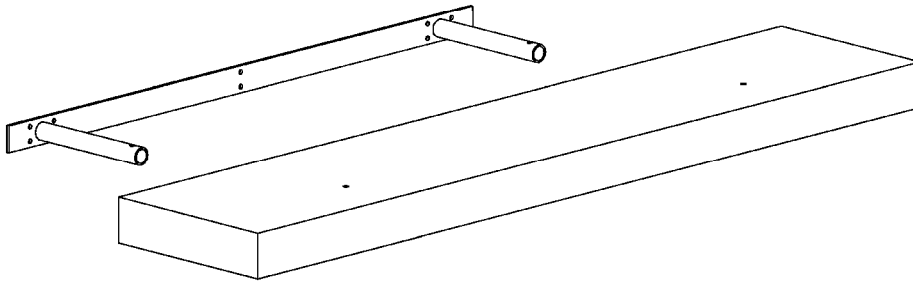
A



2x50-20

x4

LARA-BODEN 1/2011



max 10 kg

A

A