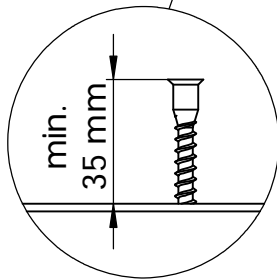
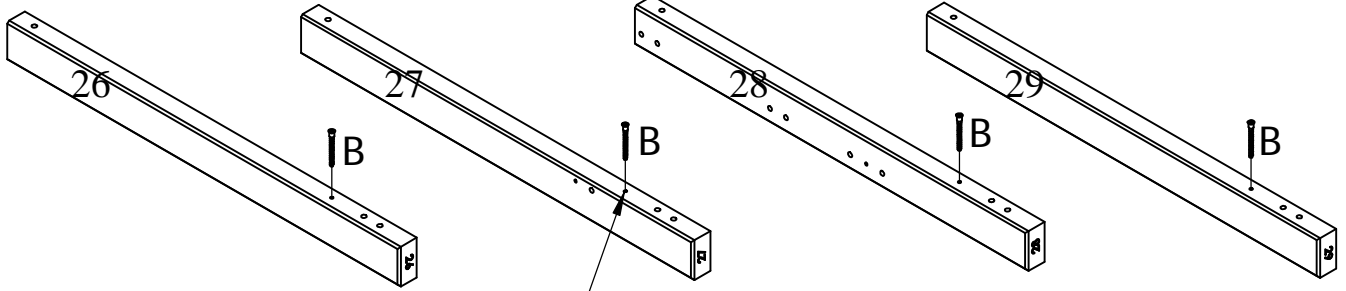


A		8x40	x48
B		7x60	x6
C		D35	x6
D		M6x55	x2
E		M6x10x13	x2
F		6,1x24x35	x4
G		D12x10	x4
H		5x50	x4
K		4x20	x24

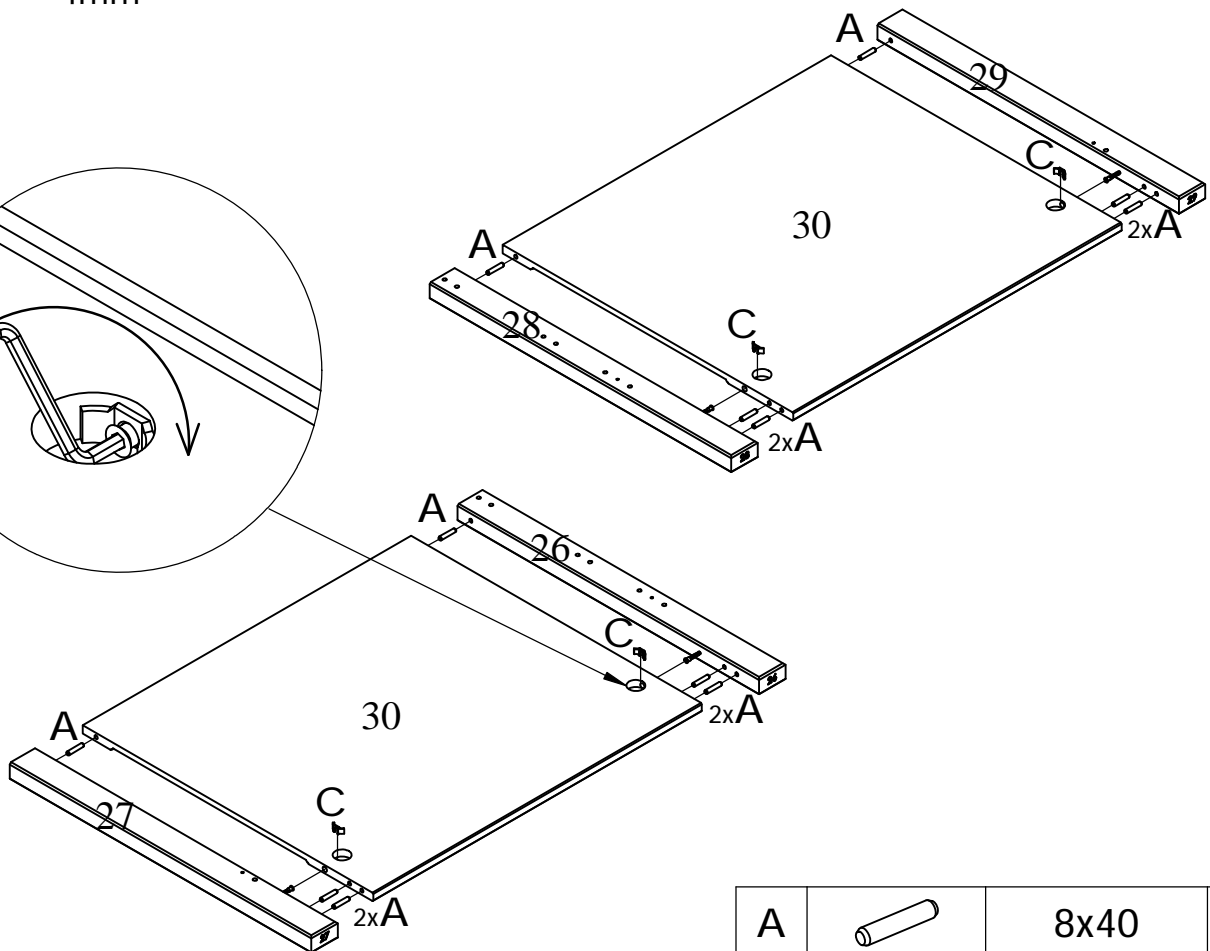
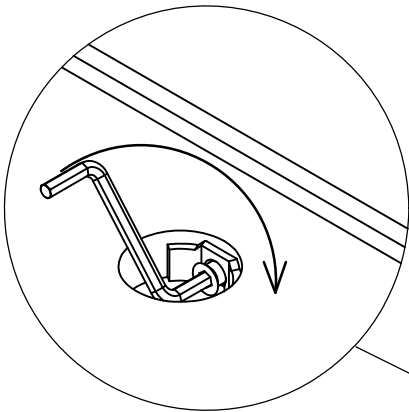
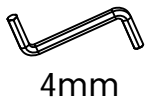
M		3,5x35	x31
N		D15x3	x2
P		D25x4	x4
R		D15x18	x2
S		60x50x4	x2
T		102x30x6	x2
U			x1
V		4mm	x1

①

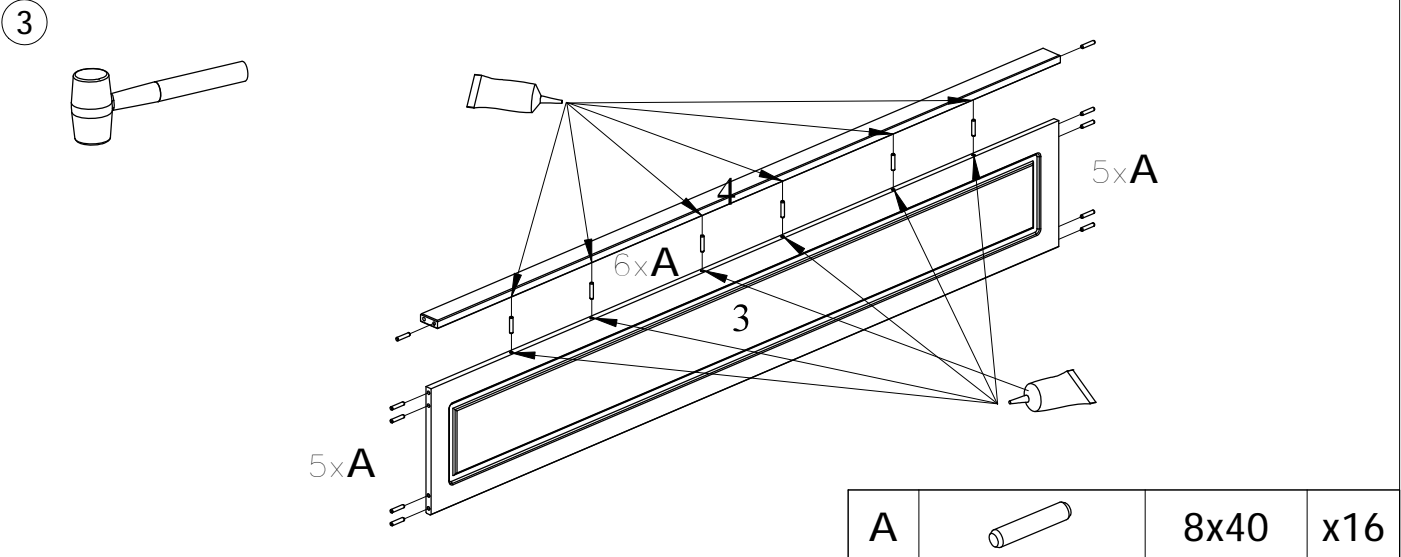
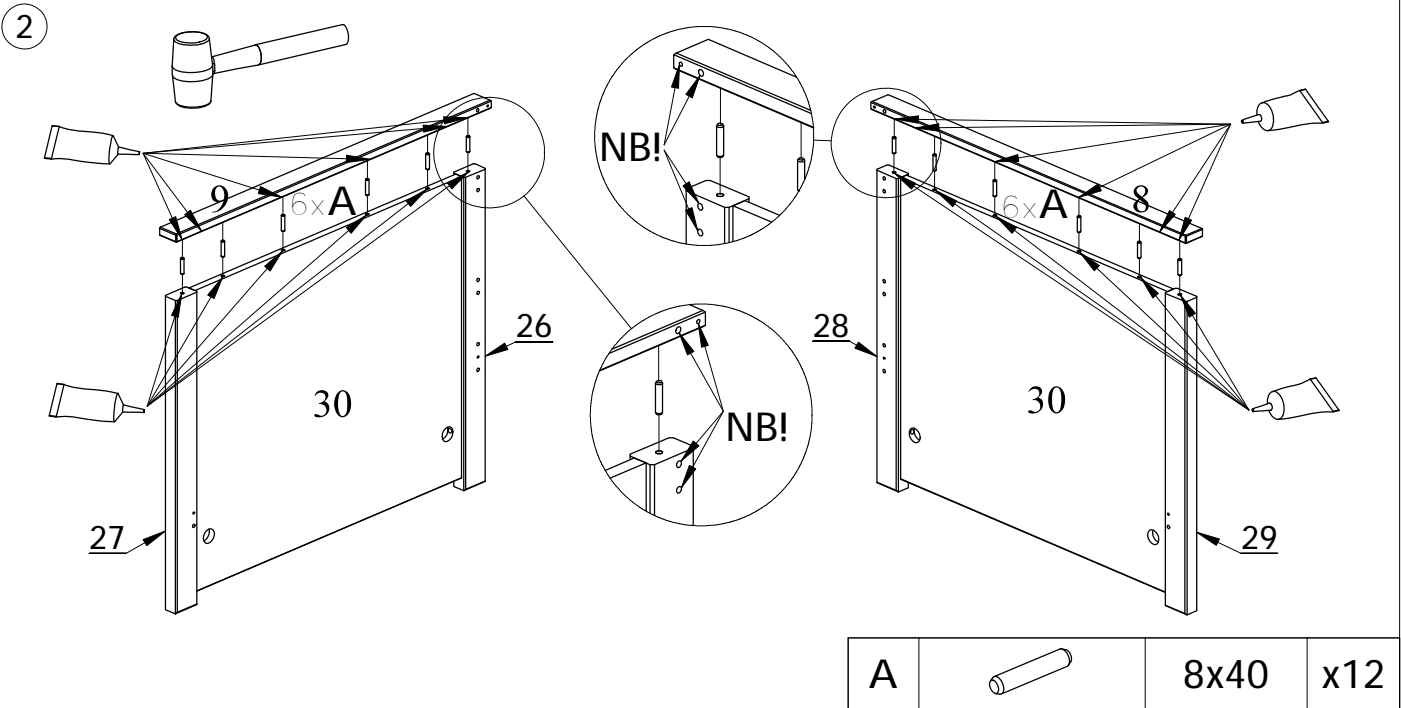
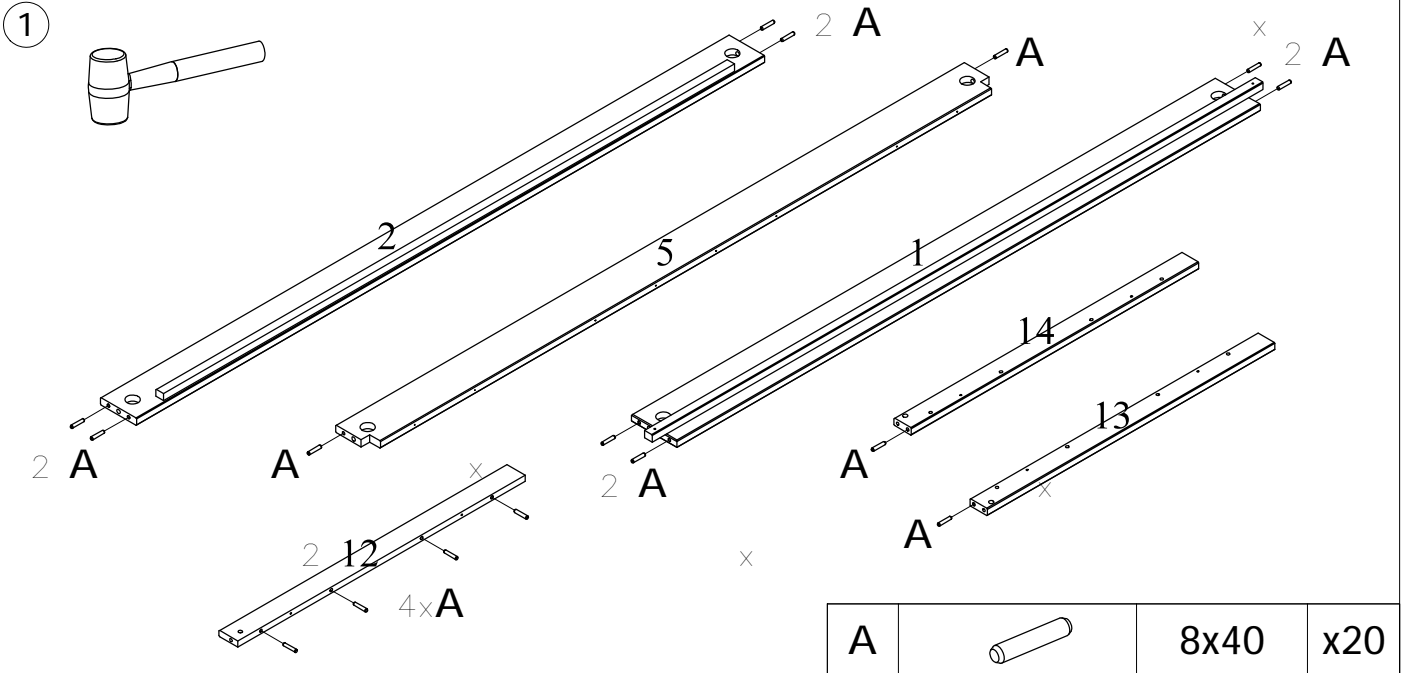


B		7x60	x4
---	--	------	----

②



A		8x40	x12
C		D35	x4



4

4mm

min. 35 mm

B

B

10

11

B		7x60	x2
---	--	------	----

5

4mm

C

10

11

C

C		D35	x2
---	--	-----	----

6

F

F

F OK!

M

F

M

F

M		3,5x35	x2
F		6,1x24x35	x2

7

H

13

12

H

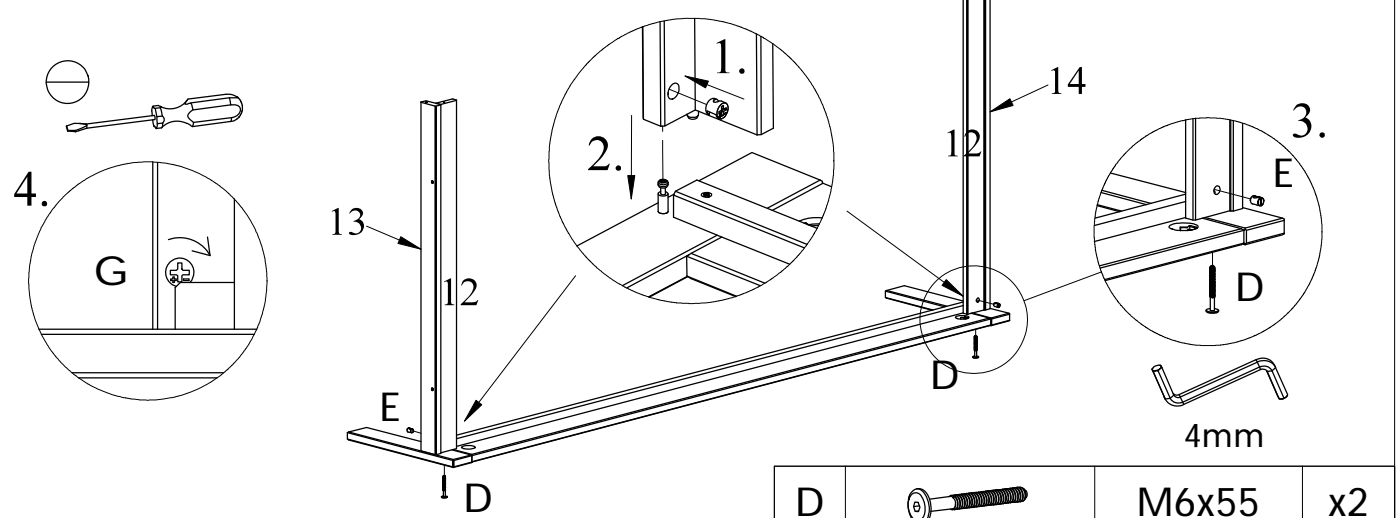
14

12

H

H		5x50	x4
---	--	------	----

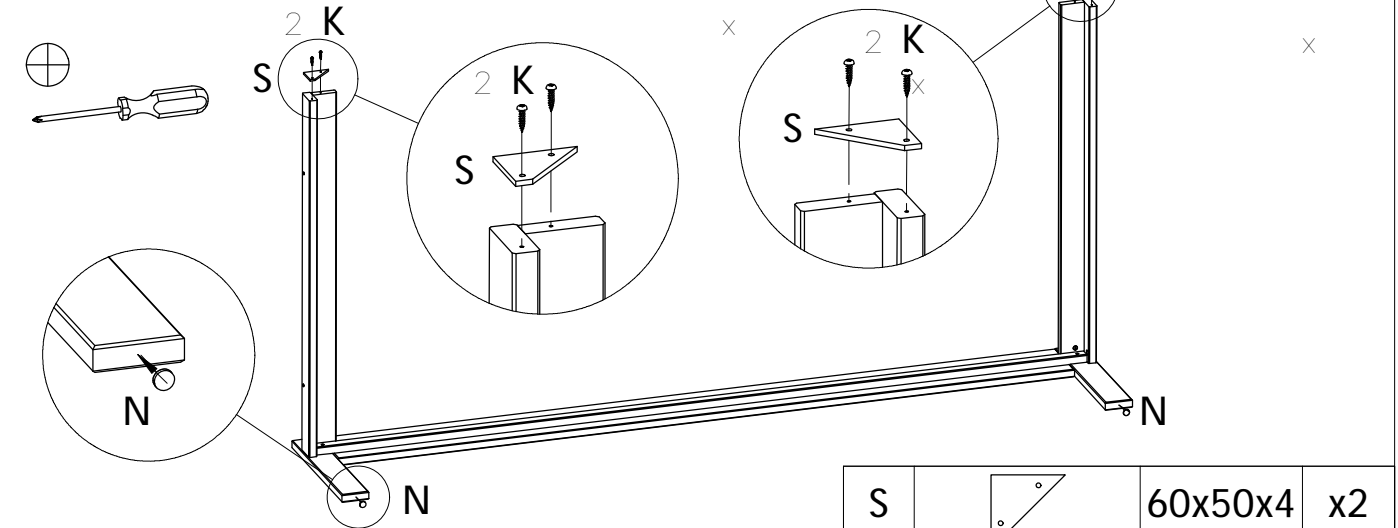
8



D		M6x55	x2
E		M6x10x13	x2

G		D12x10	x2
---	--	--------	----

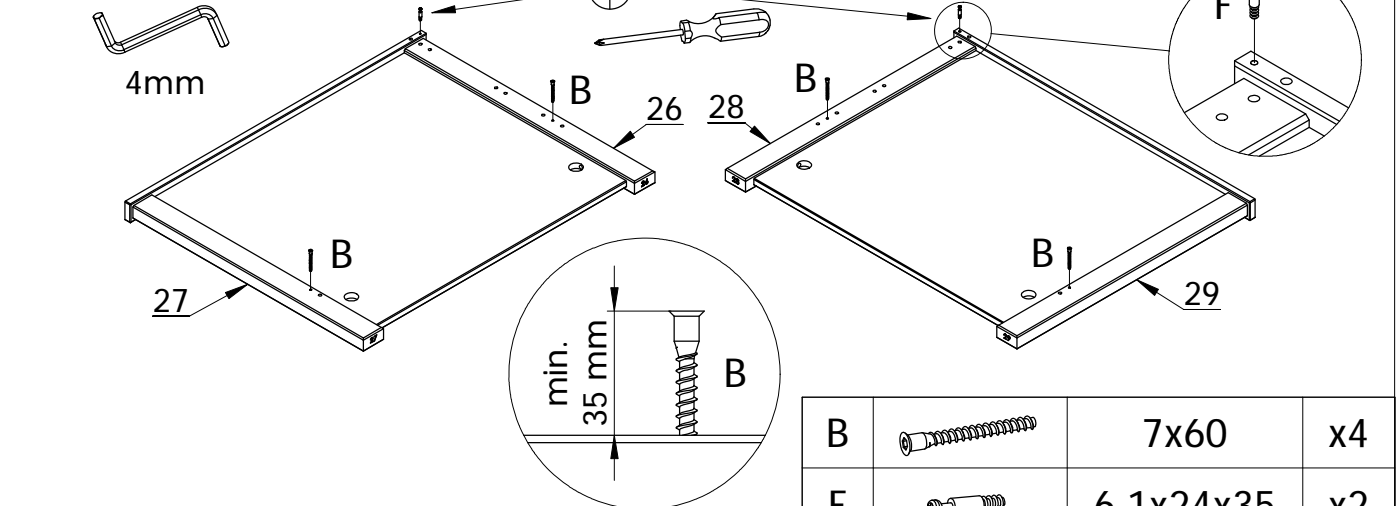
9



S		60x50x4	x2
K		4x20	x4

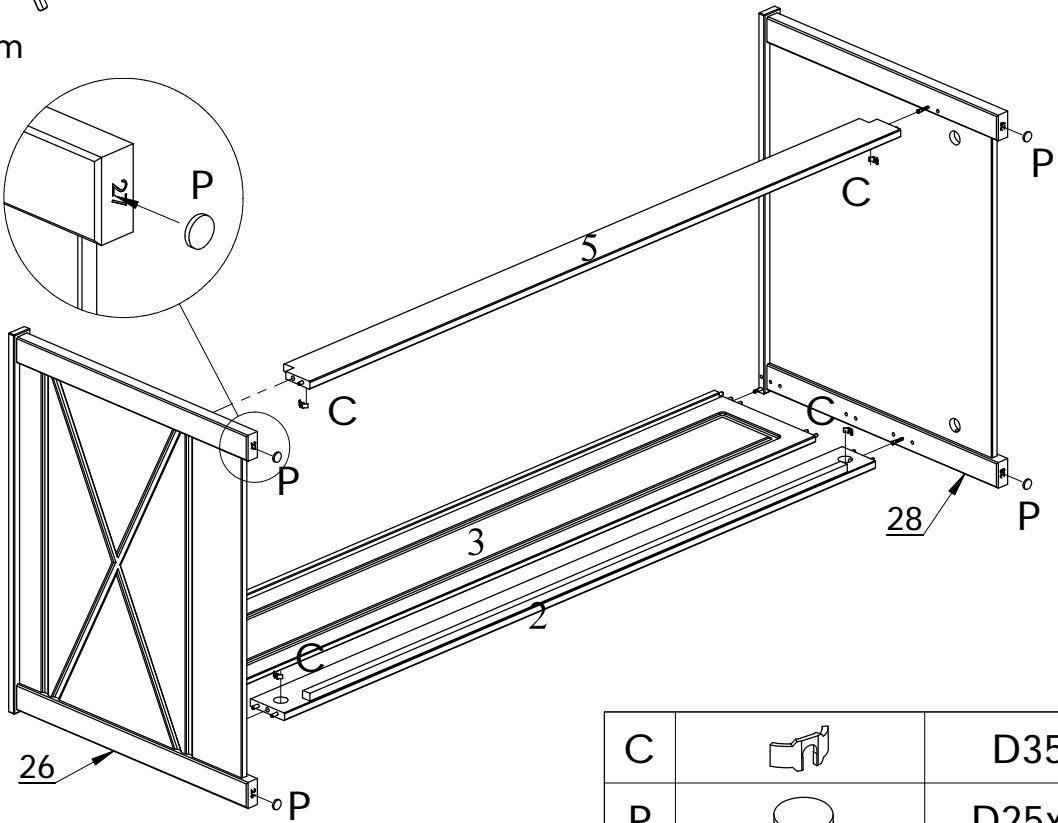
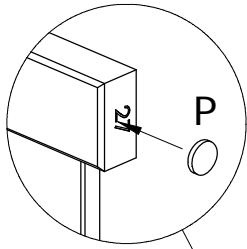
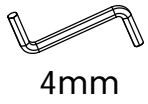
N		D15x3	x2
---	--	-------	----

10



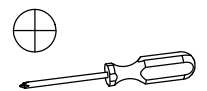
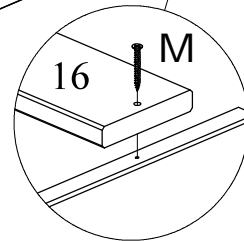
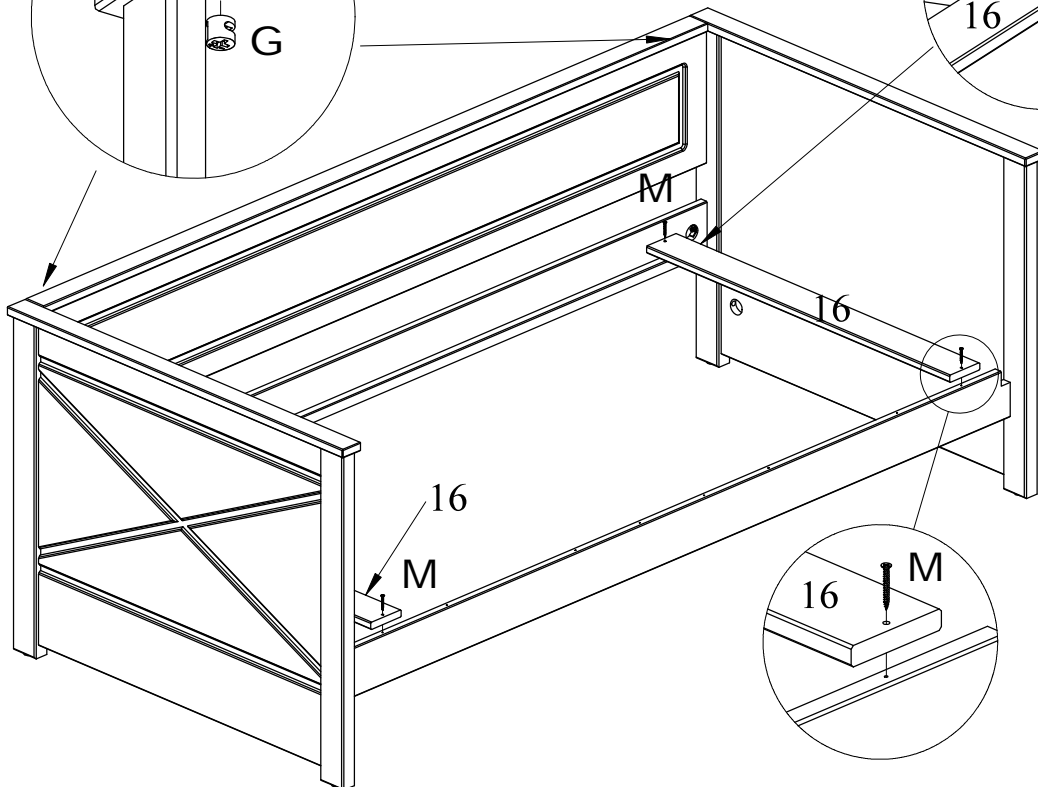
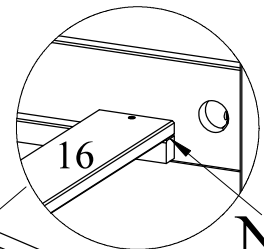
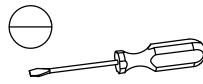
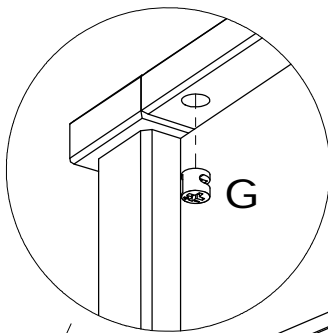
B		7x60	x4
F		6,1x24x35	x2

11



C		D35	x4
P		D25x4	x4

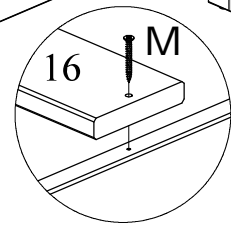
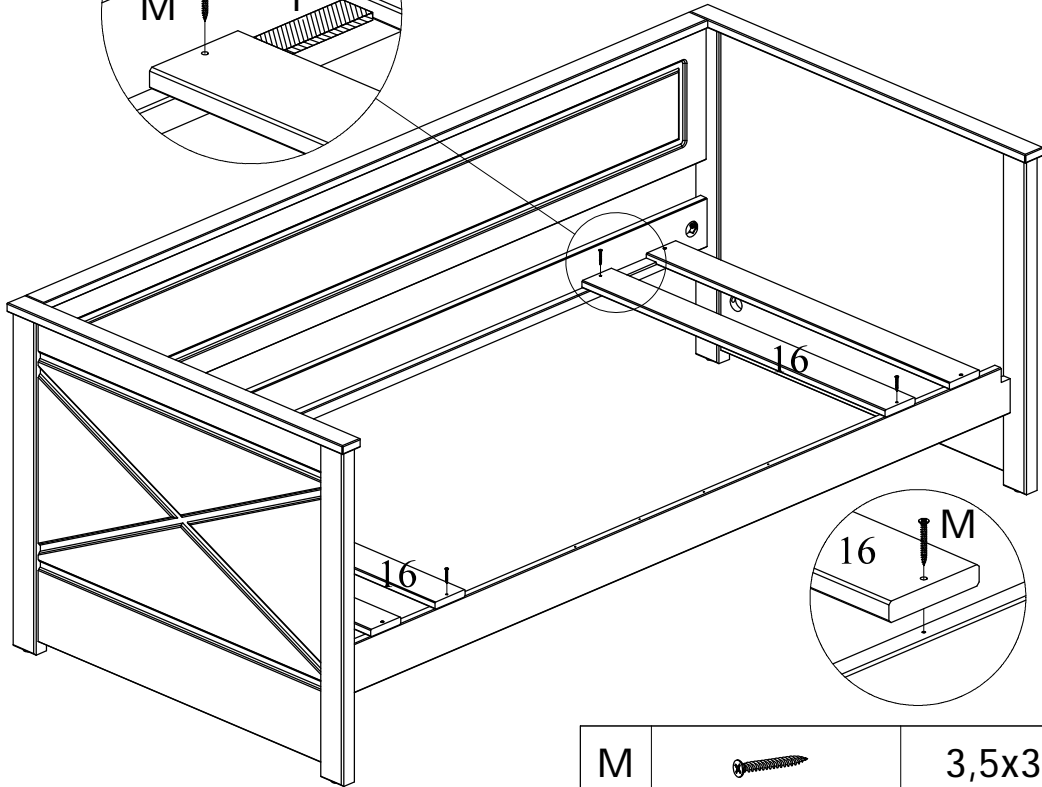
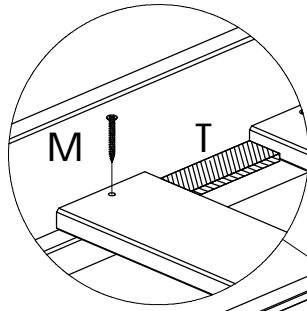
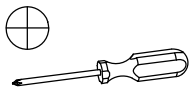
12





G		D12x10	x2
---	--	--------	----

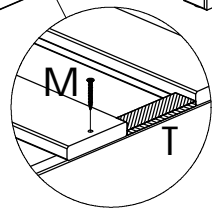
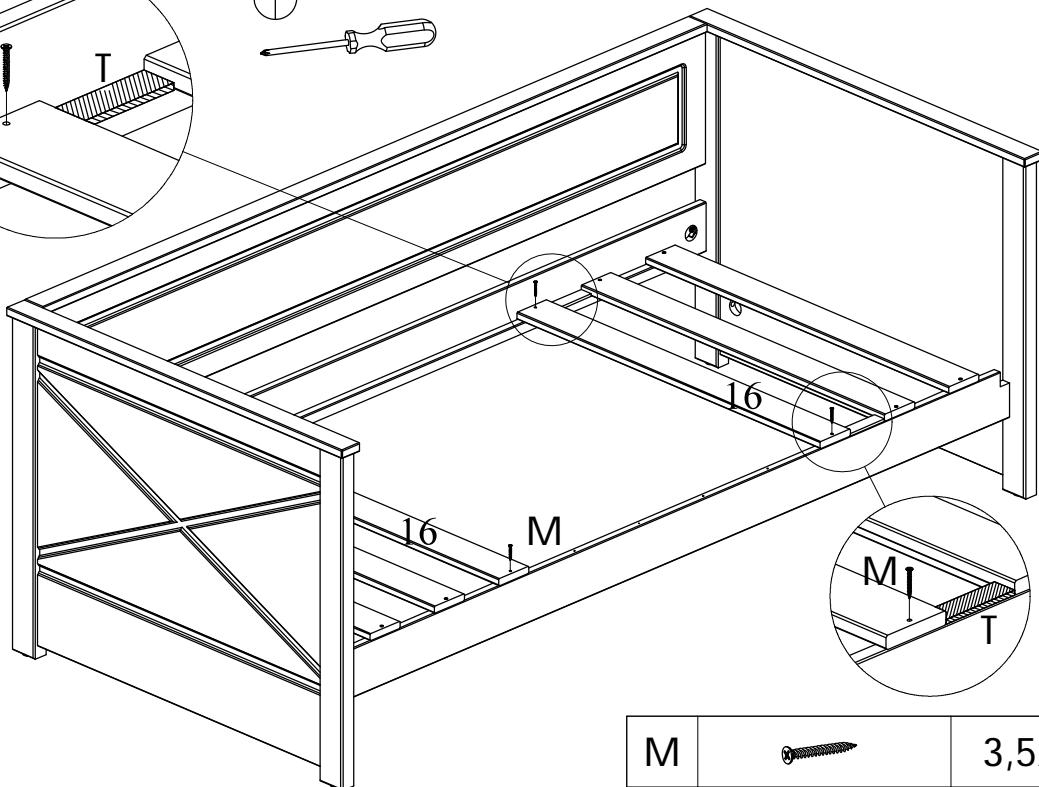
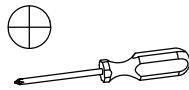
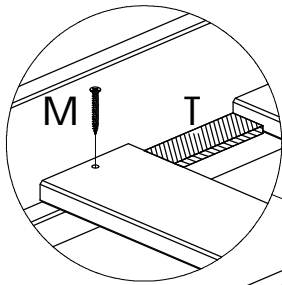
M		3,5x40	x4
---	--	--------	----



13



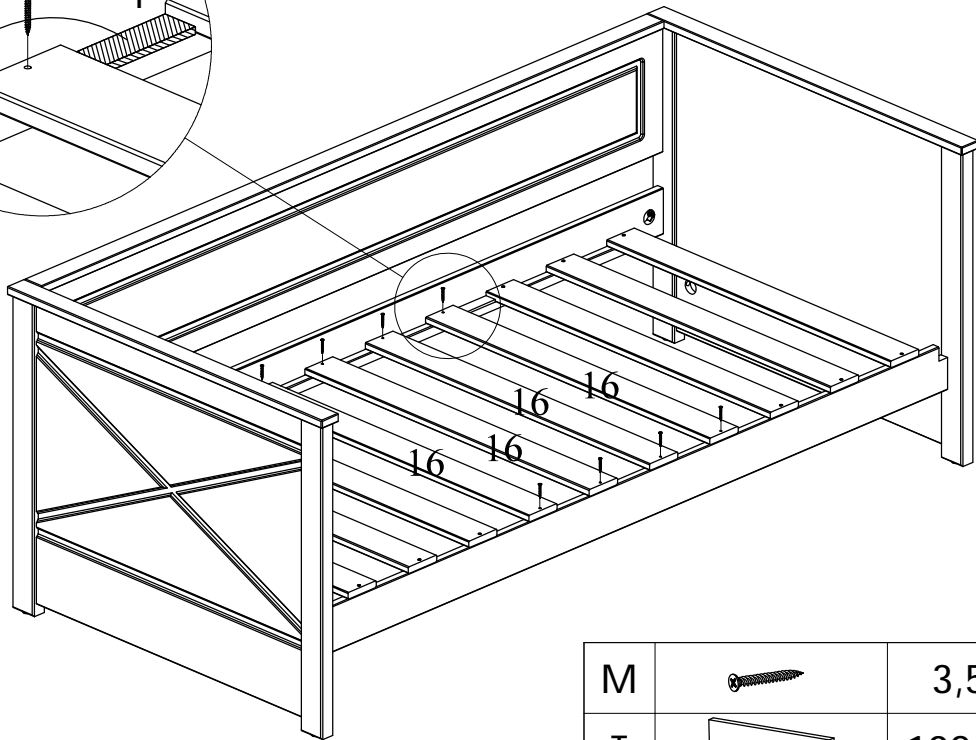
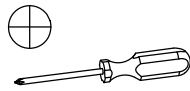
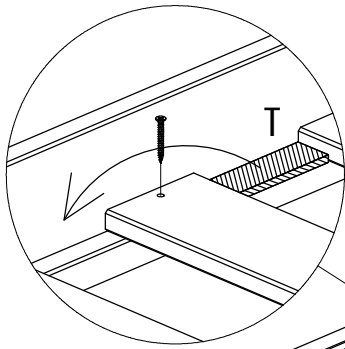
M		3,5x35	x4
T		102x30x6	x1



14



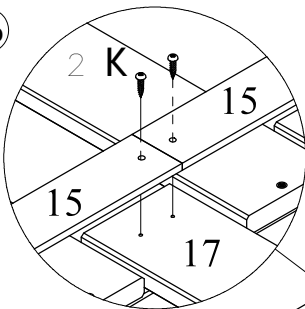
M		3,5x35	x4
T		102x30x6	x2

15

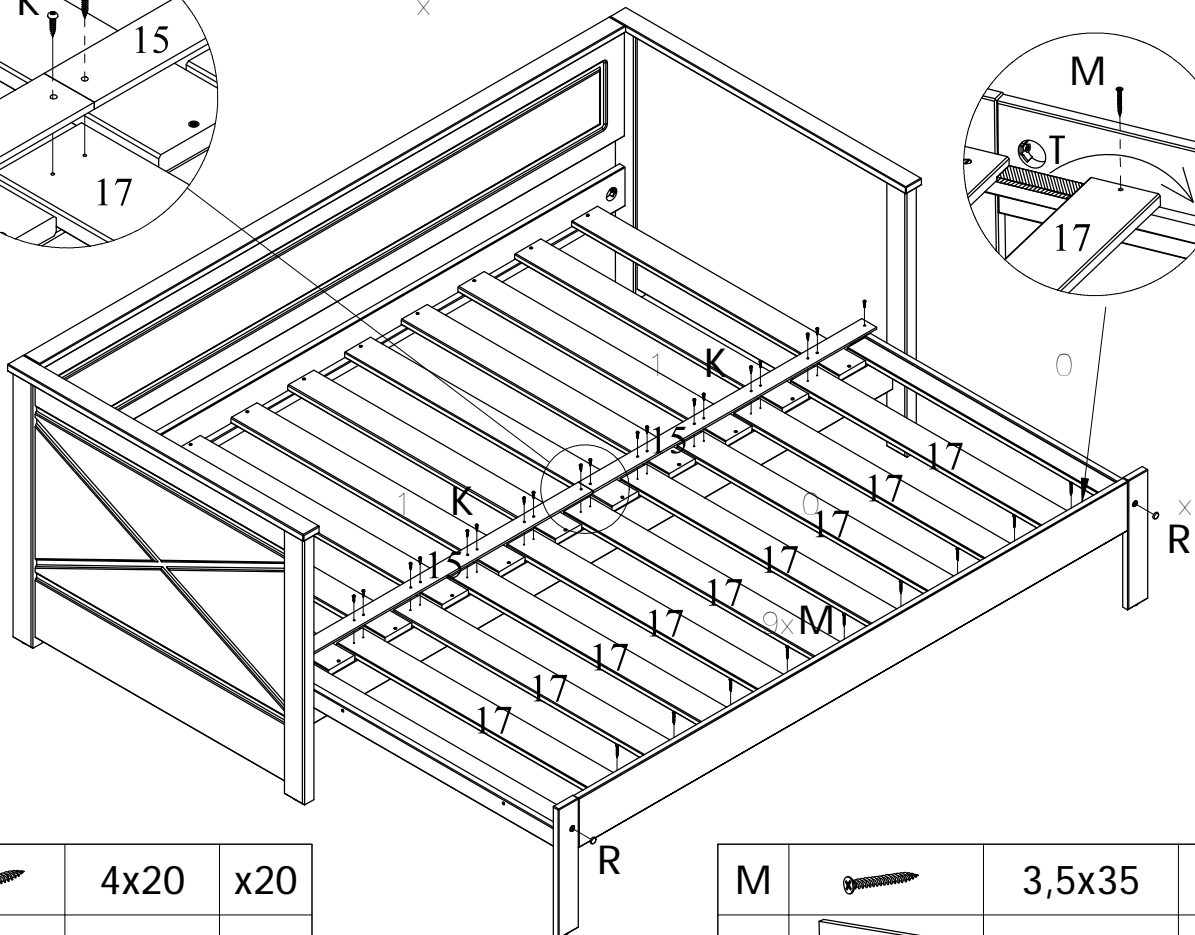
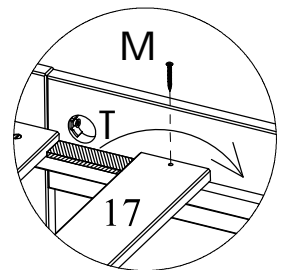




M		3,5x35	x8
T		102x30x6	x1



16

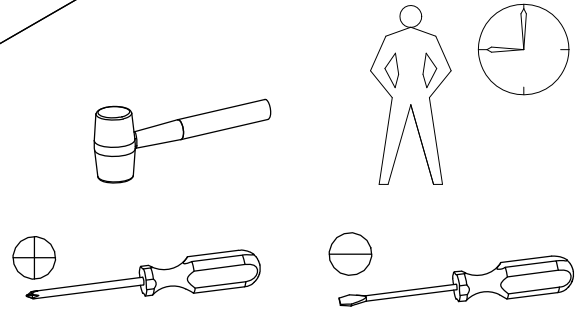
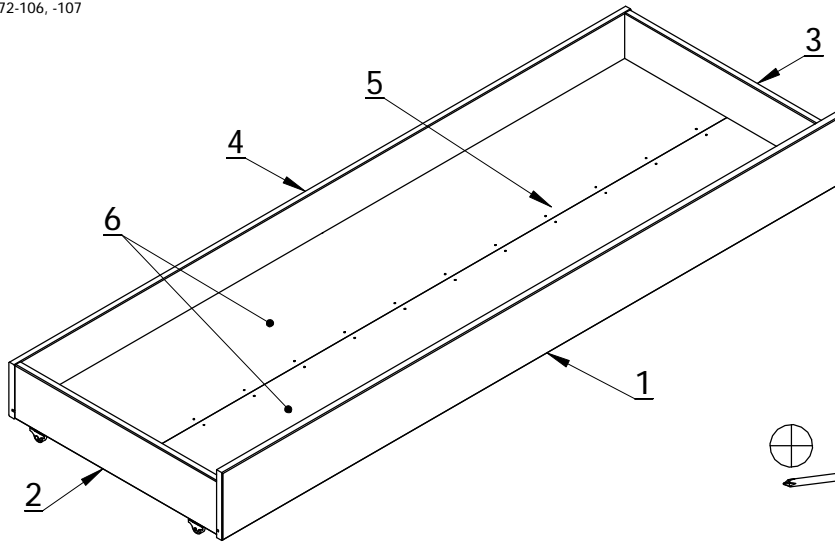


x



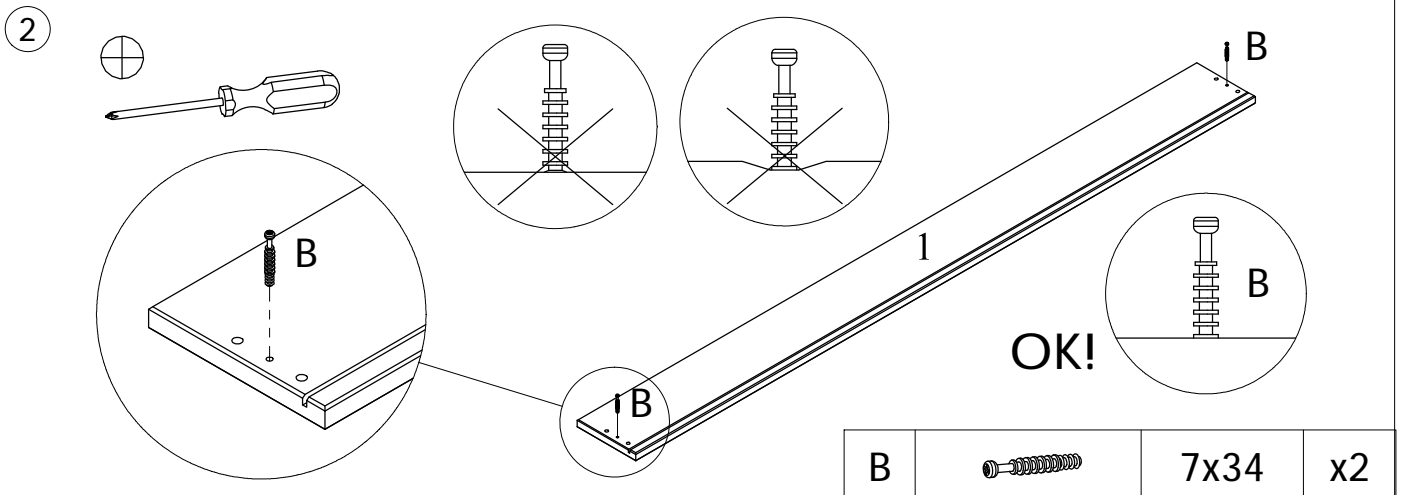
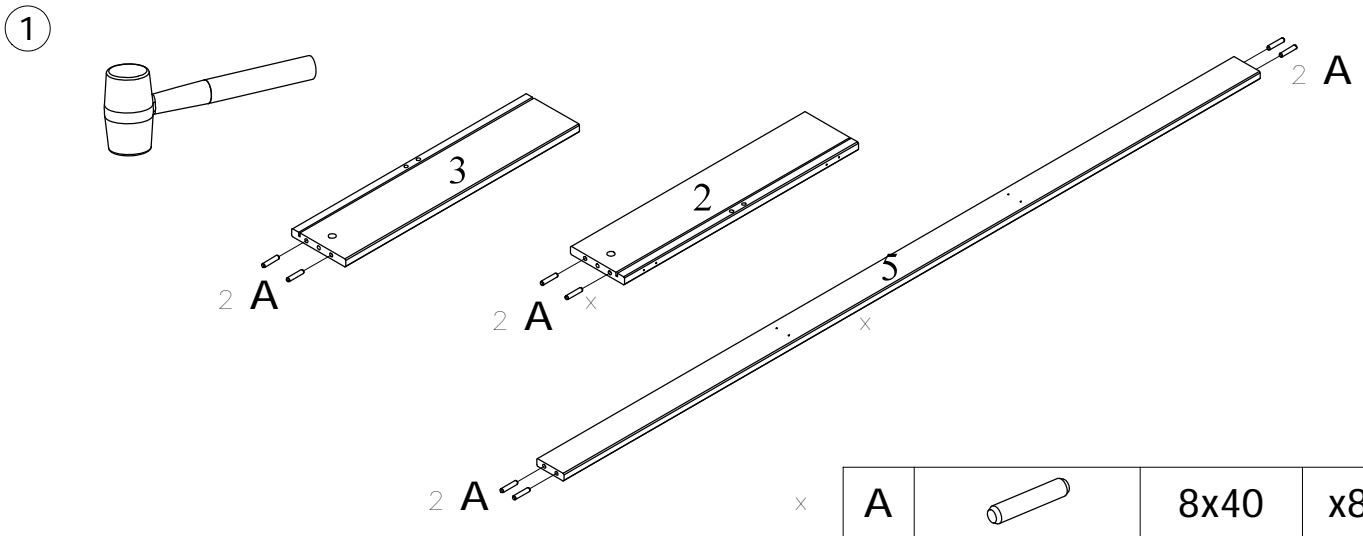
K		4x20	x20
R		D15x18	x2

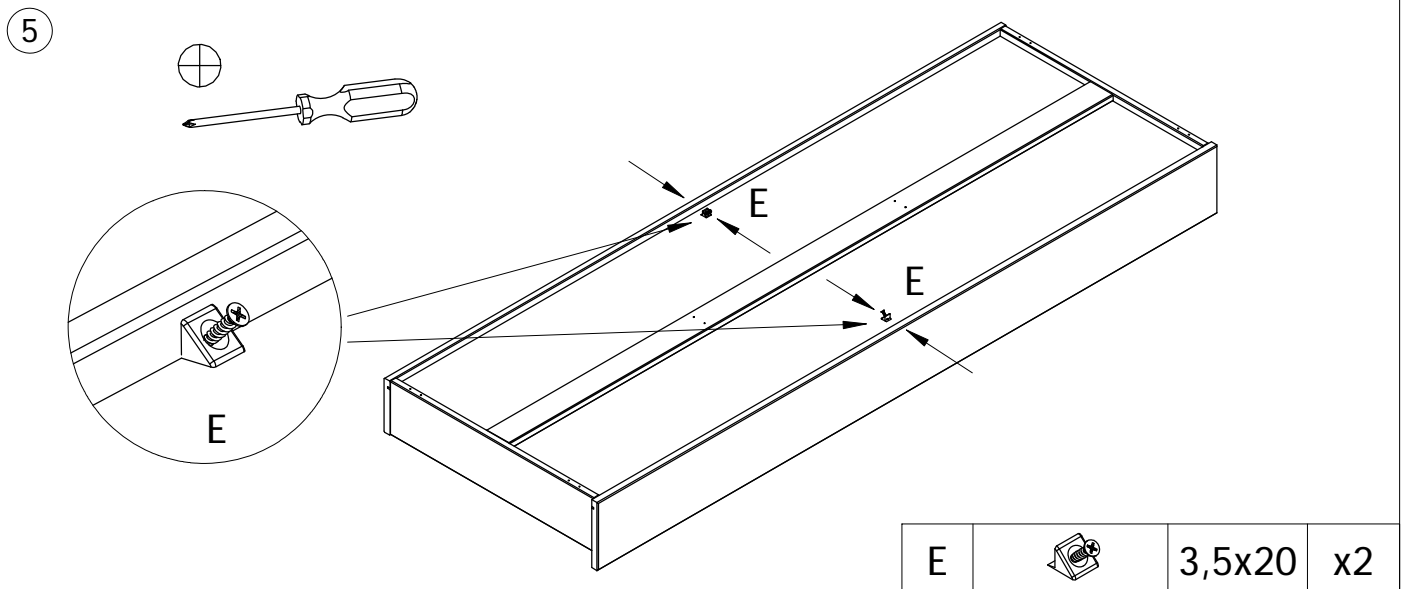
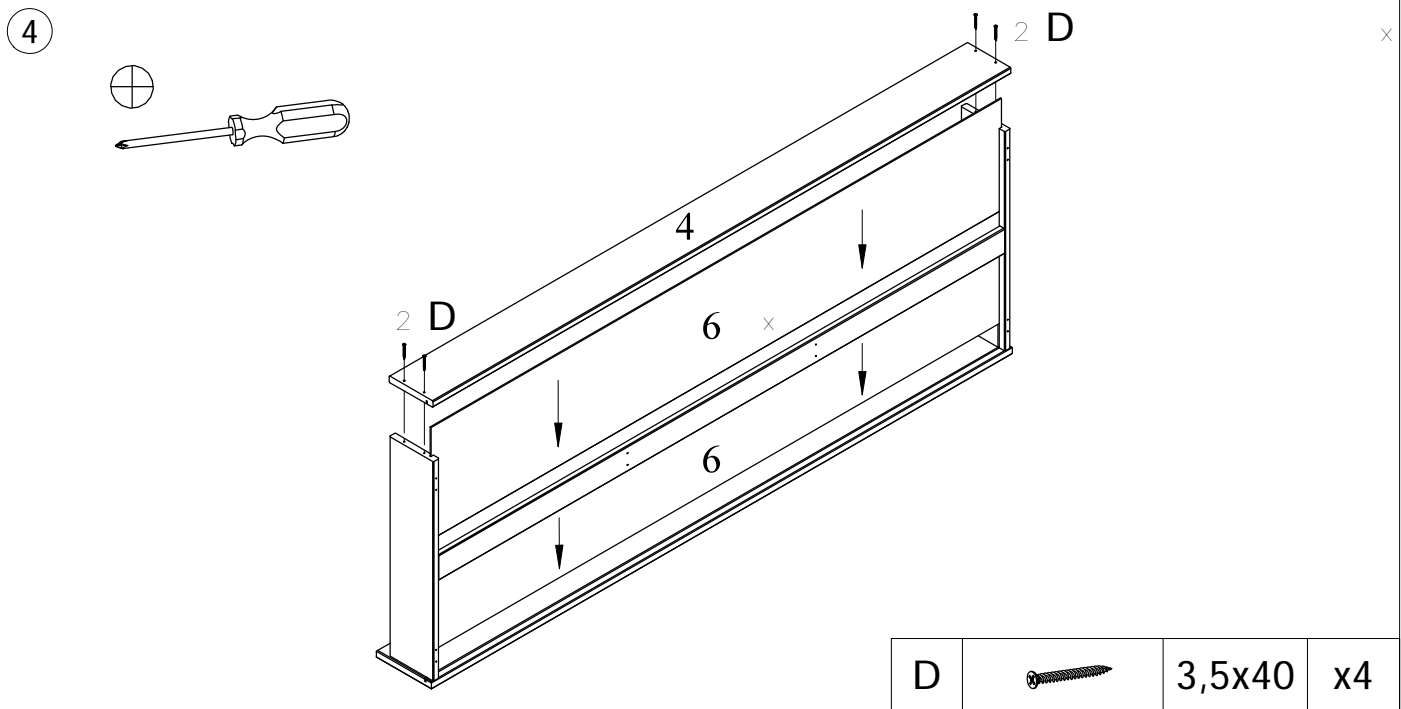
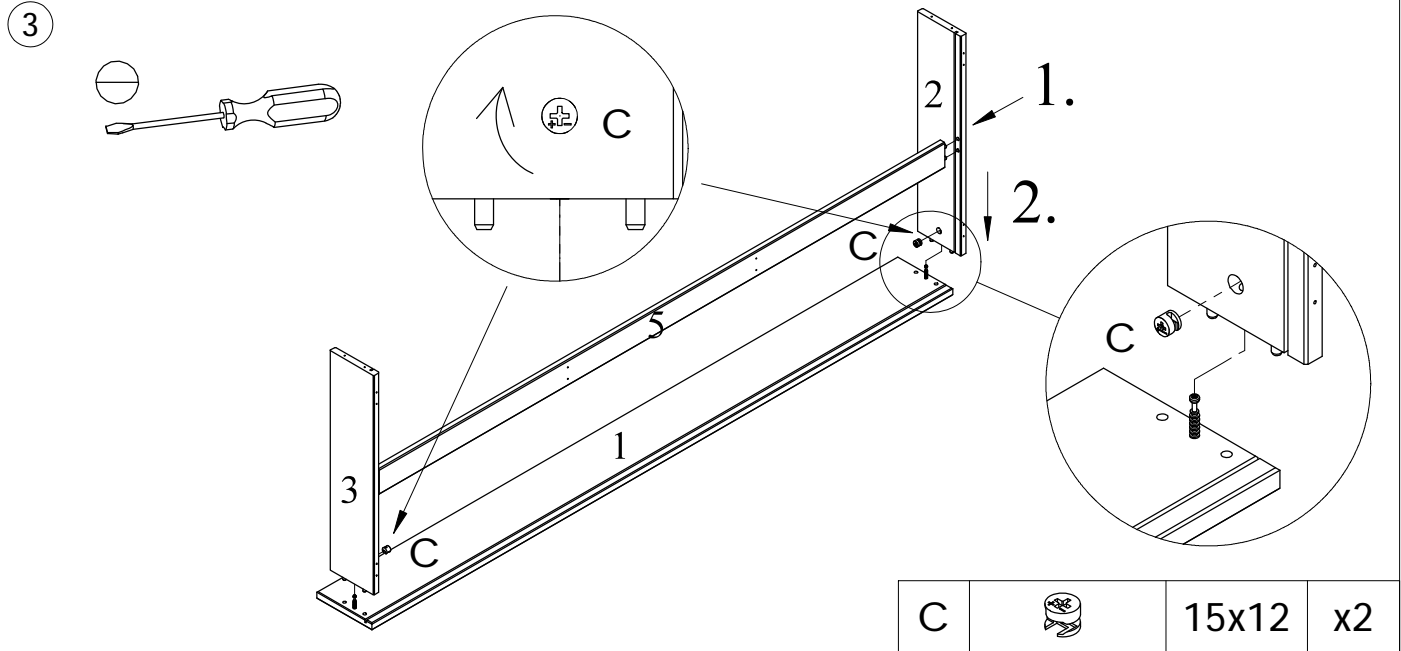
M		3,5x35	x9
T		102x30x6	x1



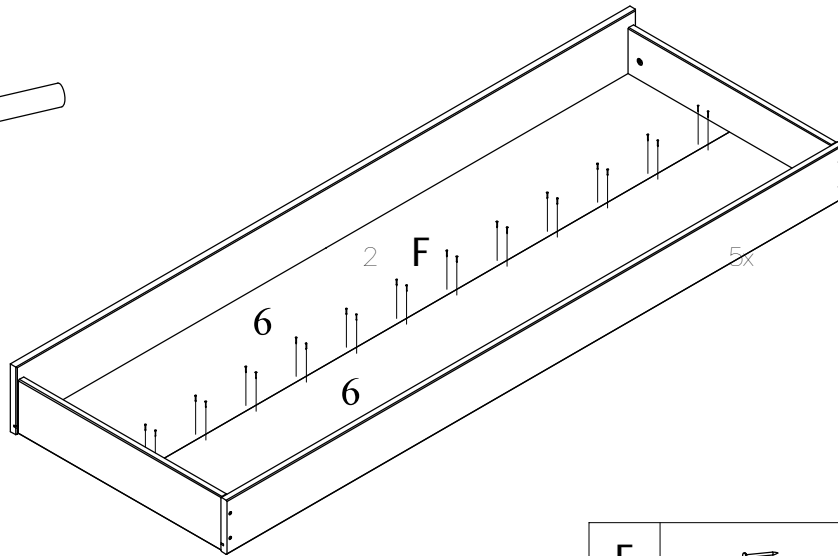
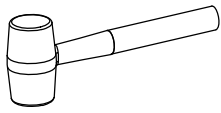
A		8x40	x8
B		7x34	x2
C		15x12	x2
D		3,5x40	x4
E		3,5x20	x2

F		1,6x16	x25
G		3,5x16	x12
H		D26	x6
J		D19x19	x2
K		4x35	x2



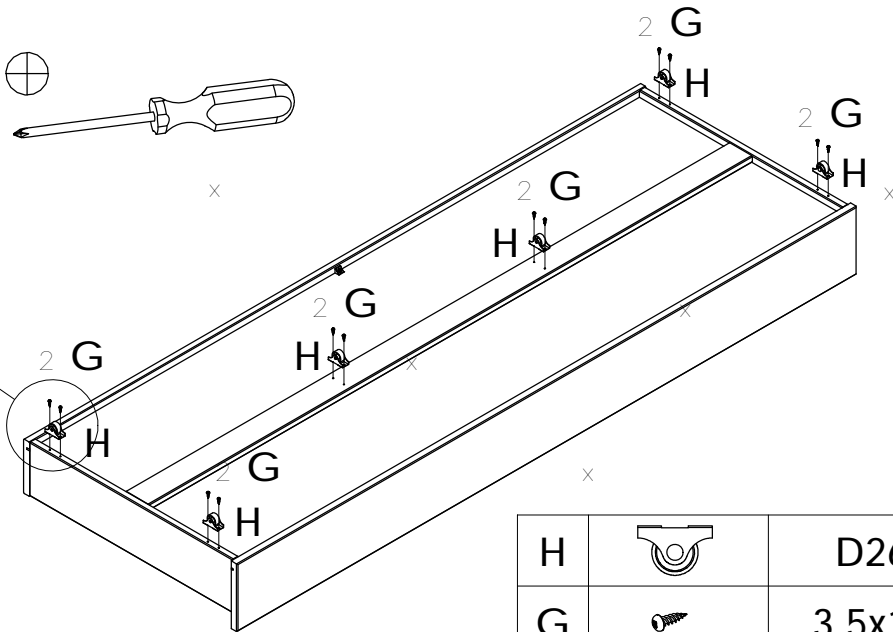
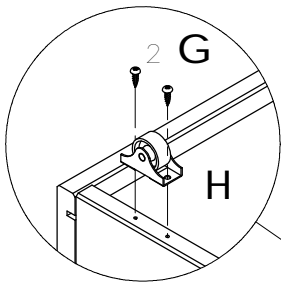
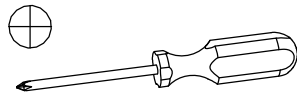


6



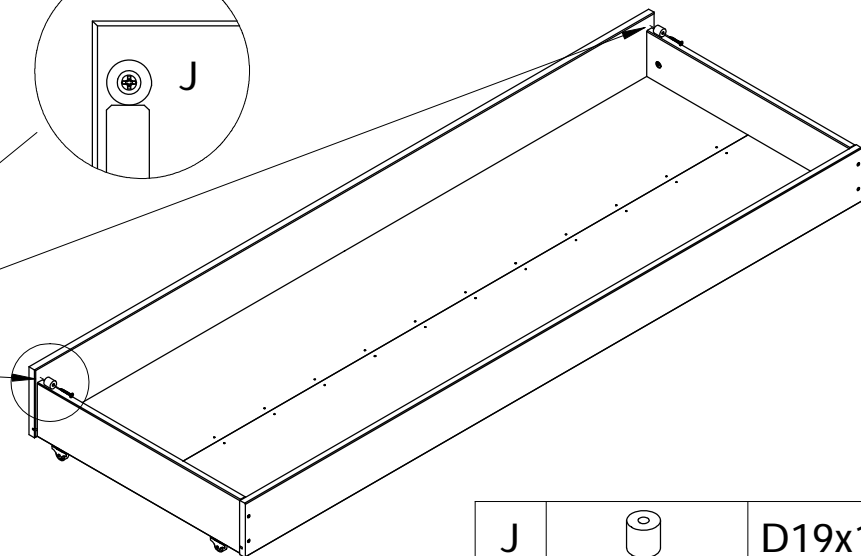
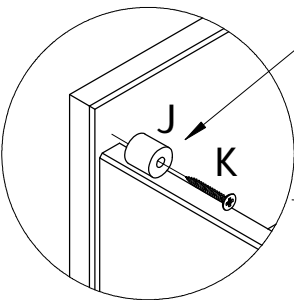
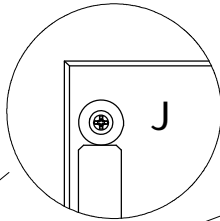
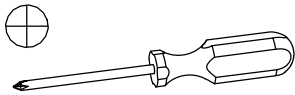
F		1,6x16	x25
---	---	--------	-----



7



H		D26	x6
G		3,5x16	x12

8



J		D19x19	x2
K		4x35	x2