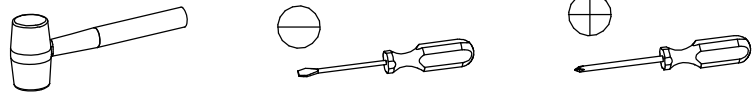


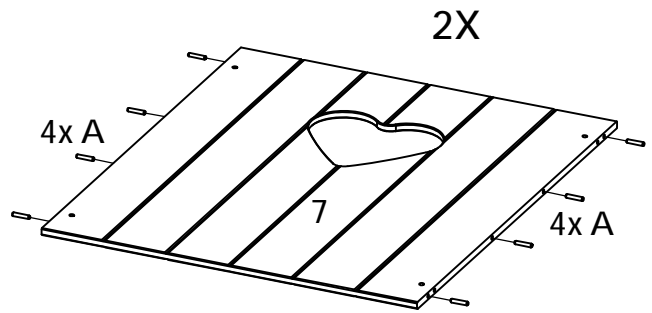
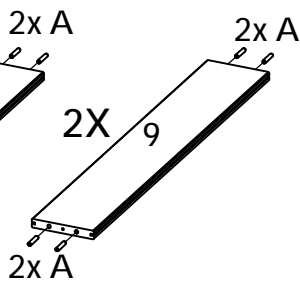
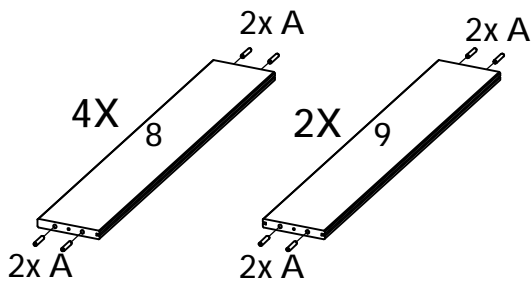
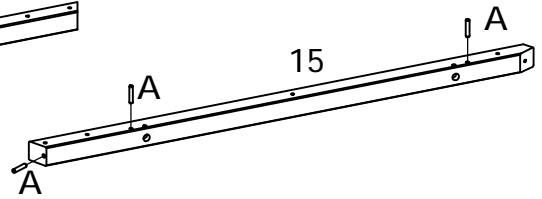
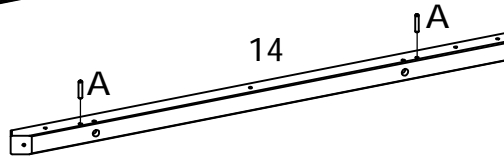
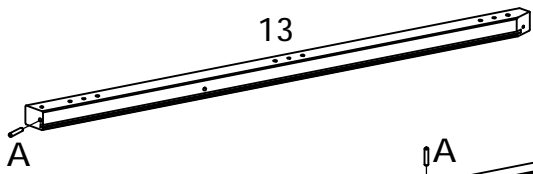
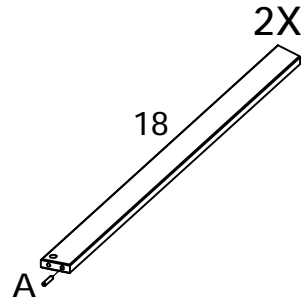
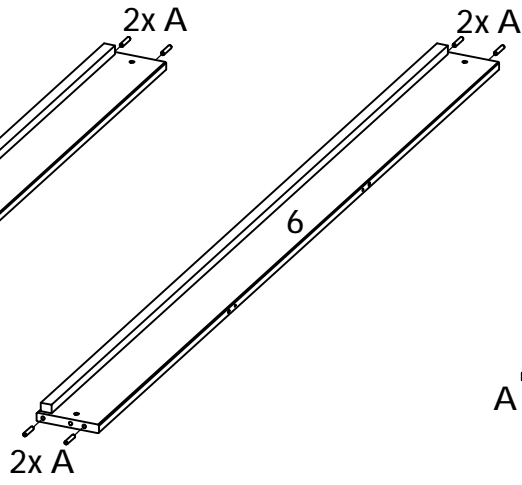
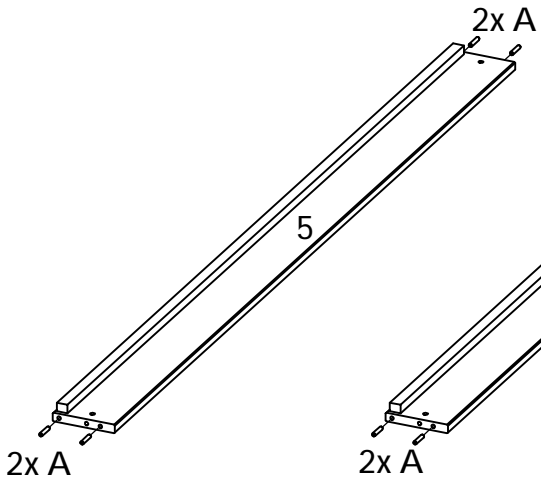
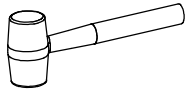
Tools needed (not supplied)



A		8x40	57
B		M6x80	12
C		M6x10x13	12
D		M10x12	4
E		D15x19	4
F		D9,8x37x60	4
G		7x70	18
H		15x12	6
J		6,1x24x35	6
K		3,5x40	6

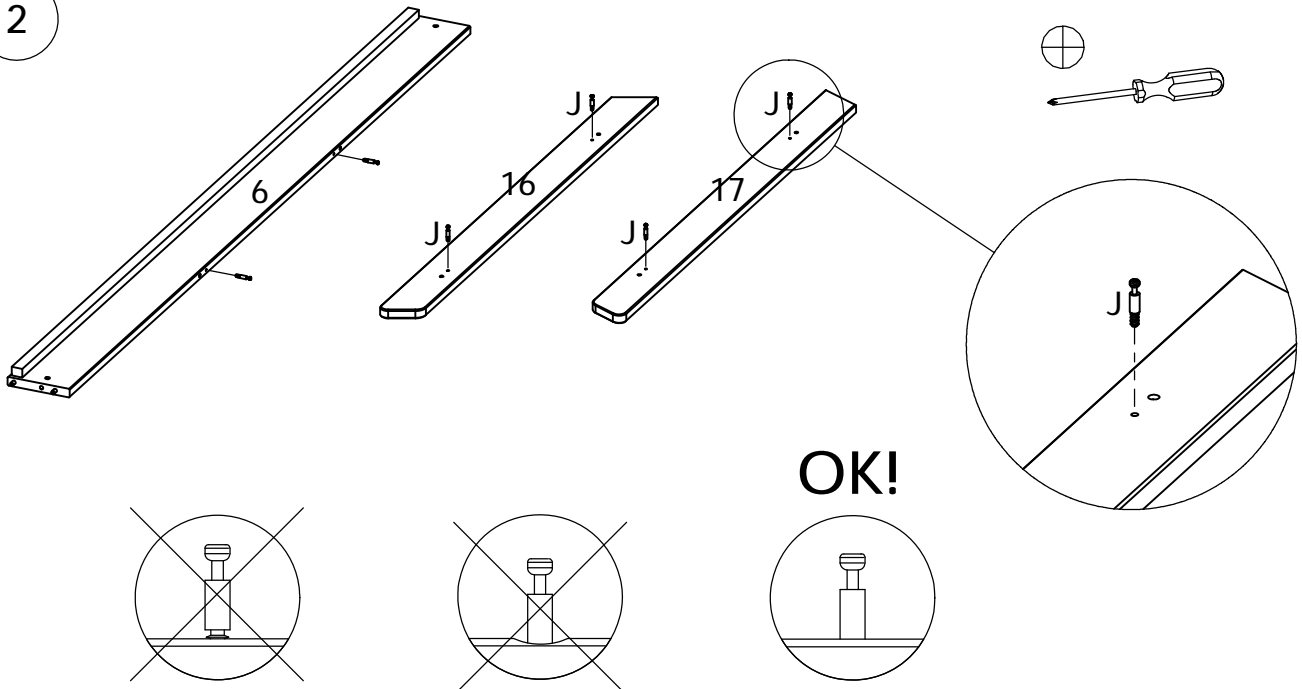
L		4x20	28
M		D38x3	4
N		D4x13	10
P		D15x18	12
R		D20	15
Q		7x60	1
S		D14x13,5	2
T		M8x8	2
U		4mm	1

1




A		8x40	56
---	--	------	----

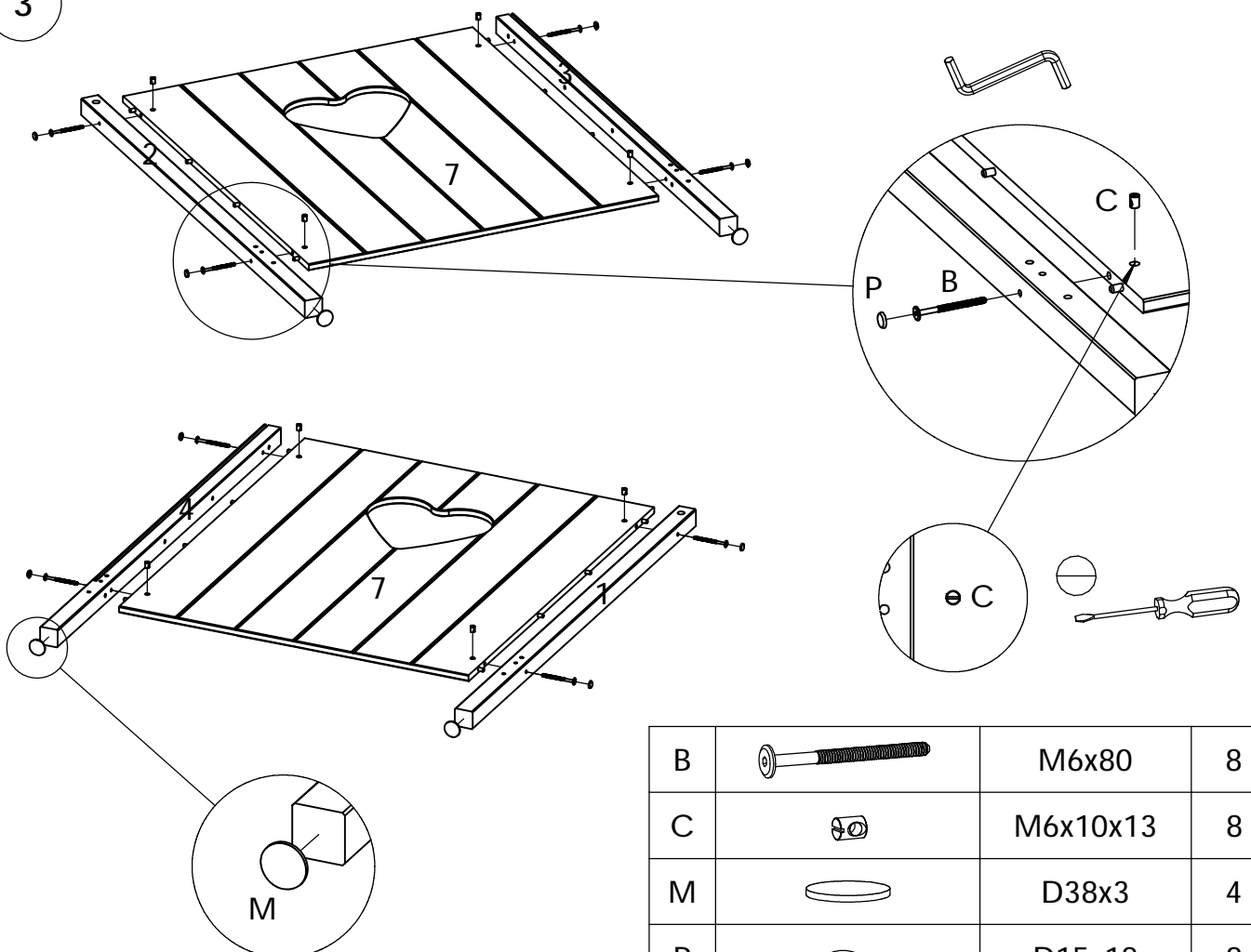
2







OK!

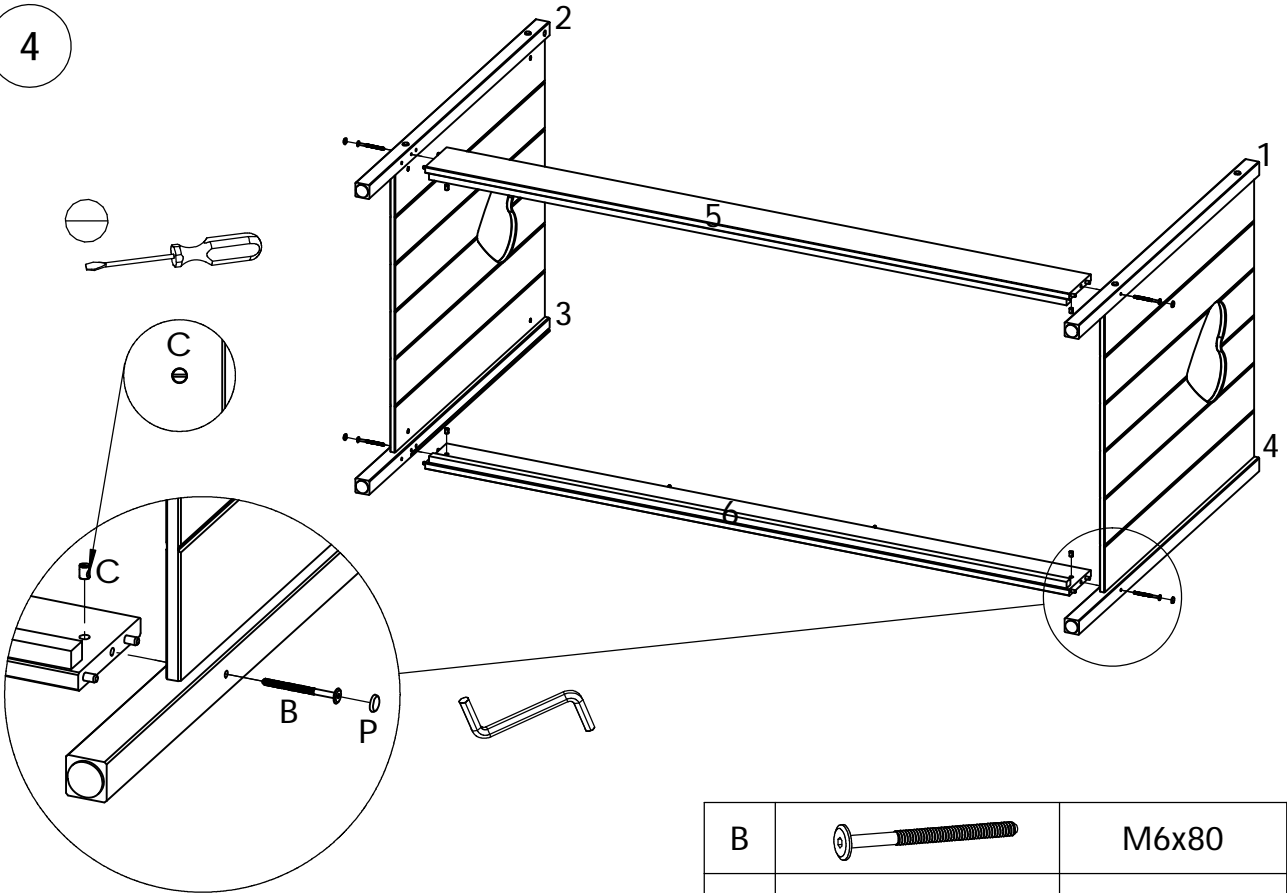
J		6,1x24x35	6
---	--	-----------	---




3



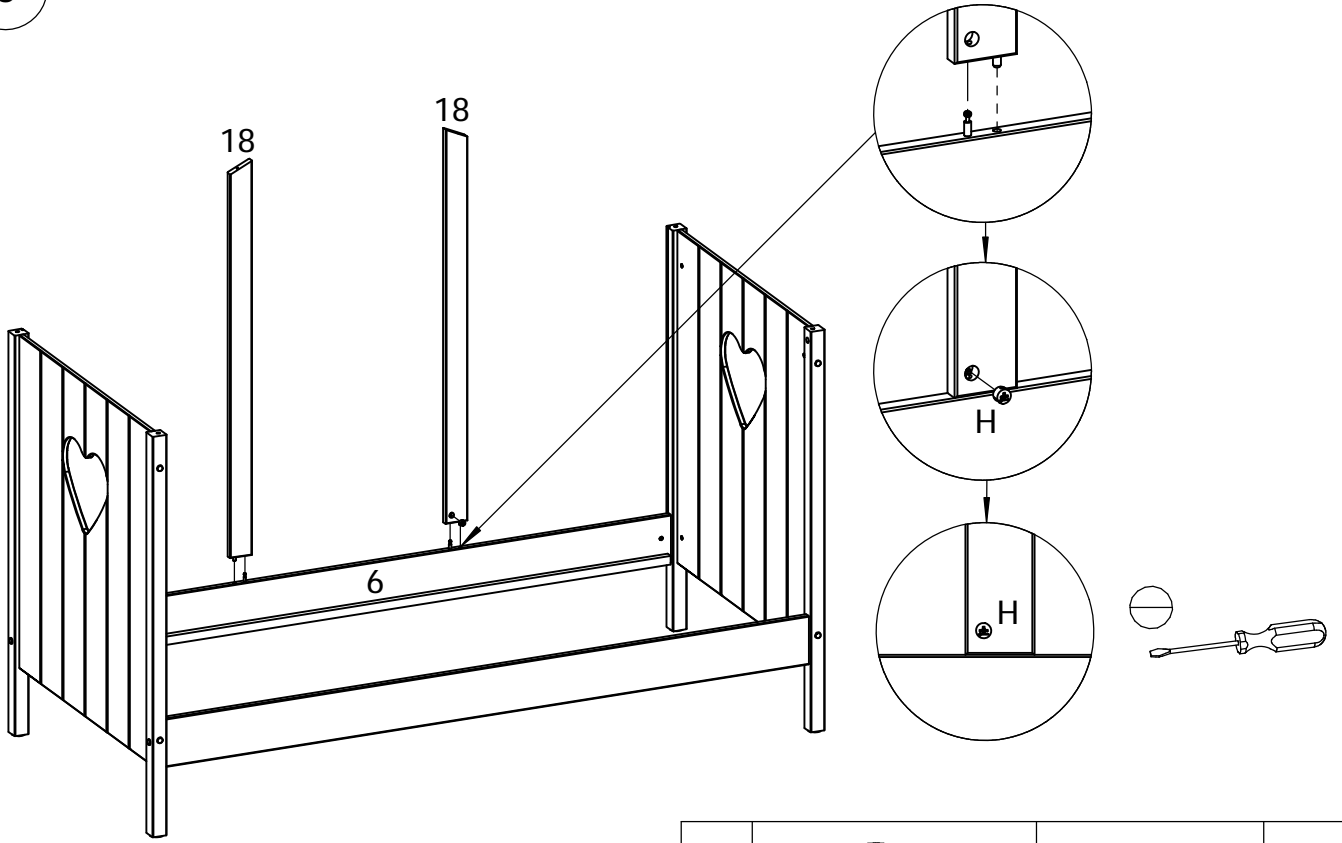
B		M6x80	8
C		M6x10x13	8
M		D38x3	4
P		D15x18	8

4



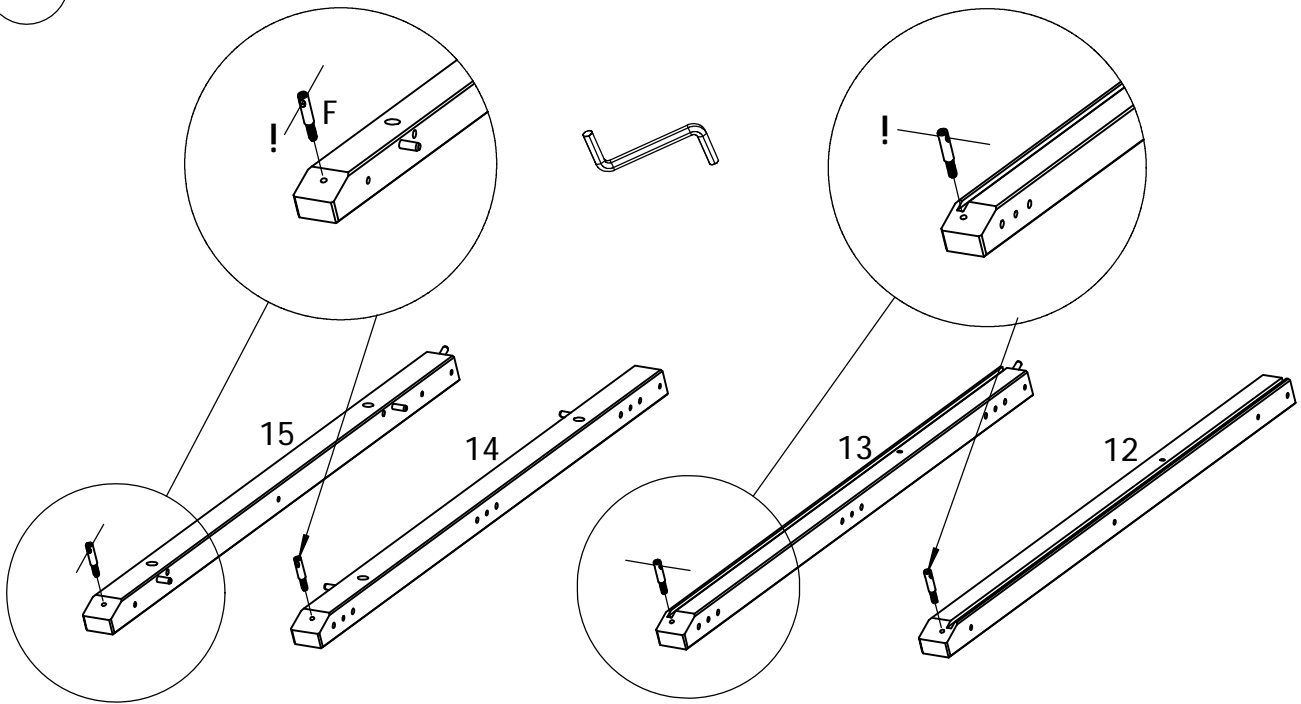
B		M6x80	4
C		M6x10x13	4
P		D15x18	4


5



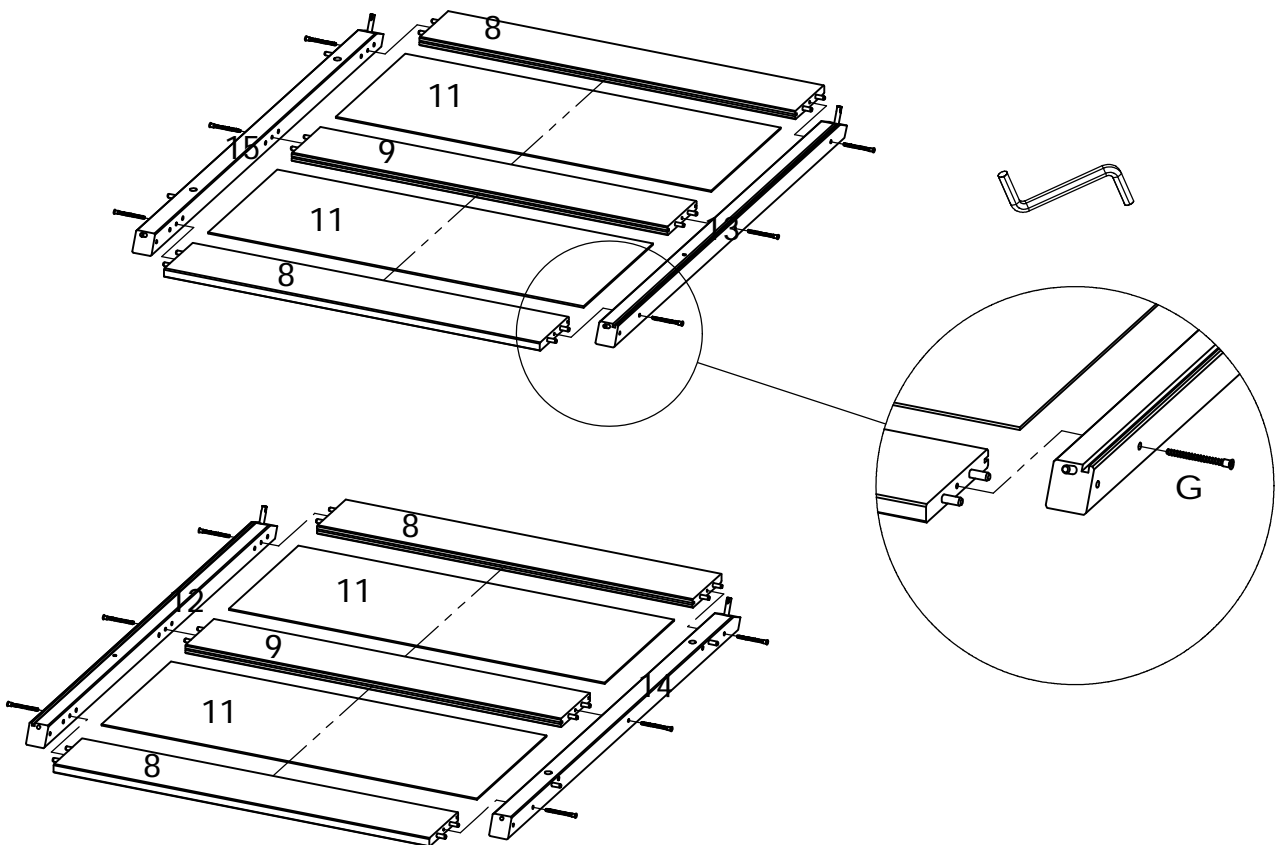
H		15x12	2
---	---	-------	---


6



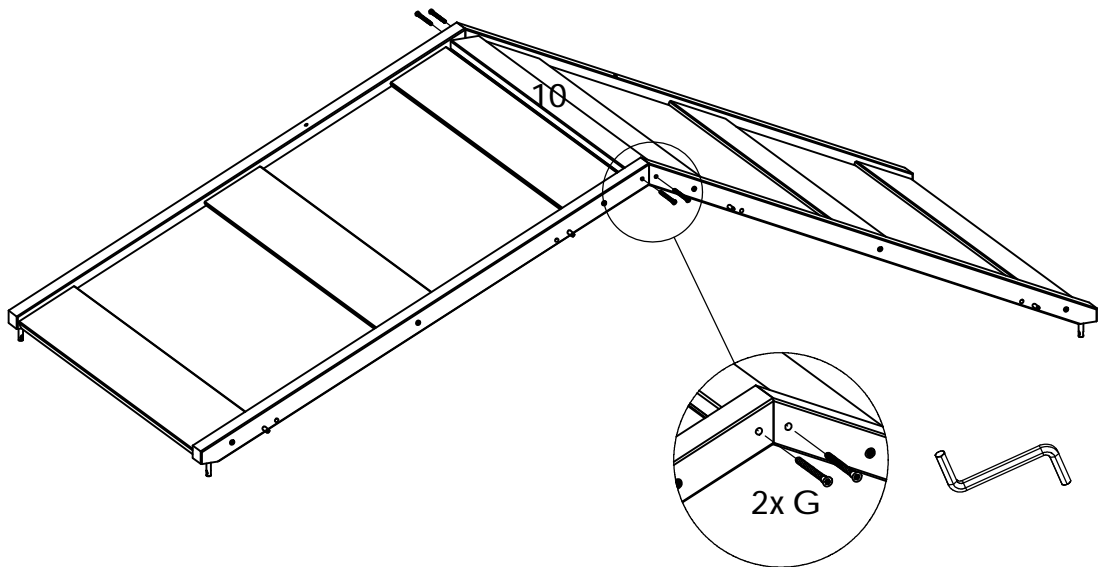
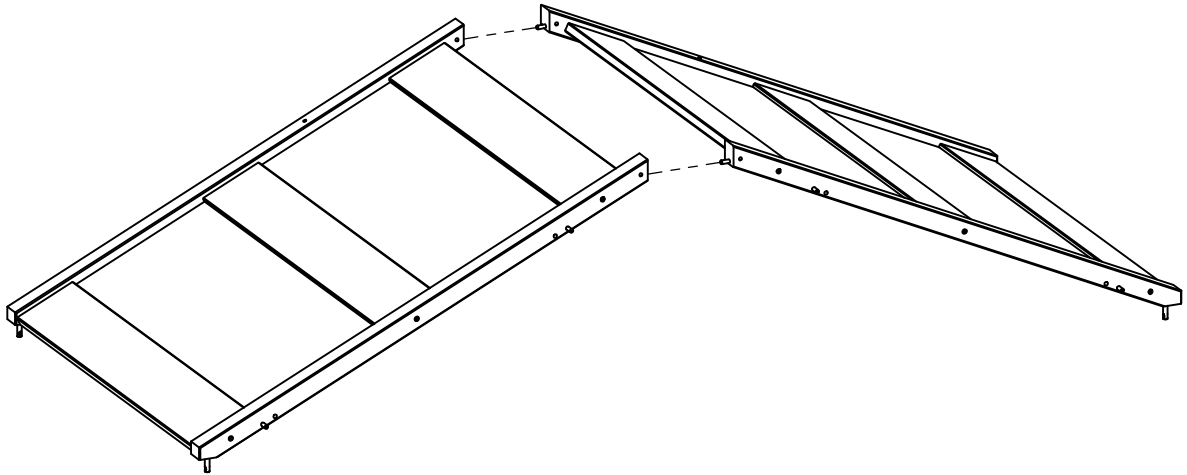
F		D9,8x37x60	4
---	---	------------	---

7



G		7x70	12
---	--	------	----

8



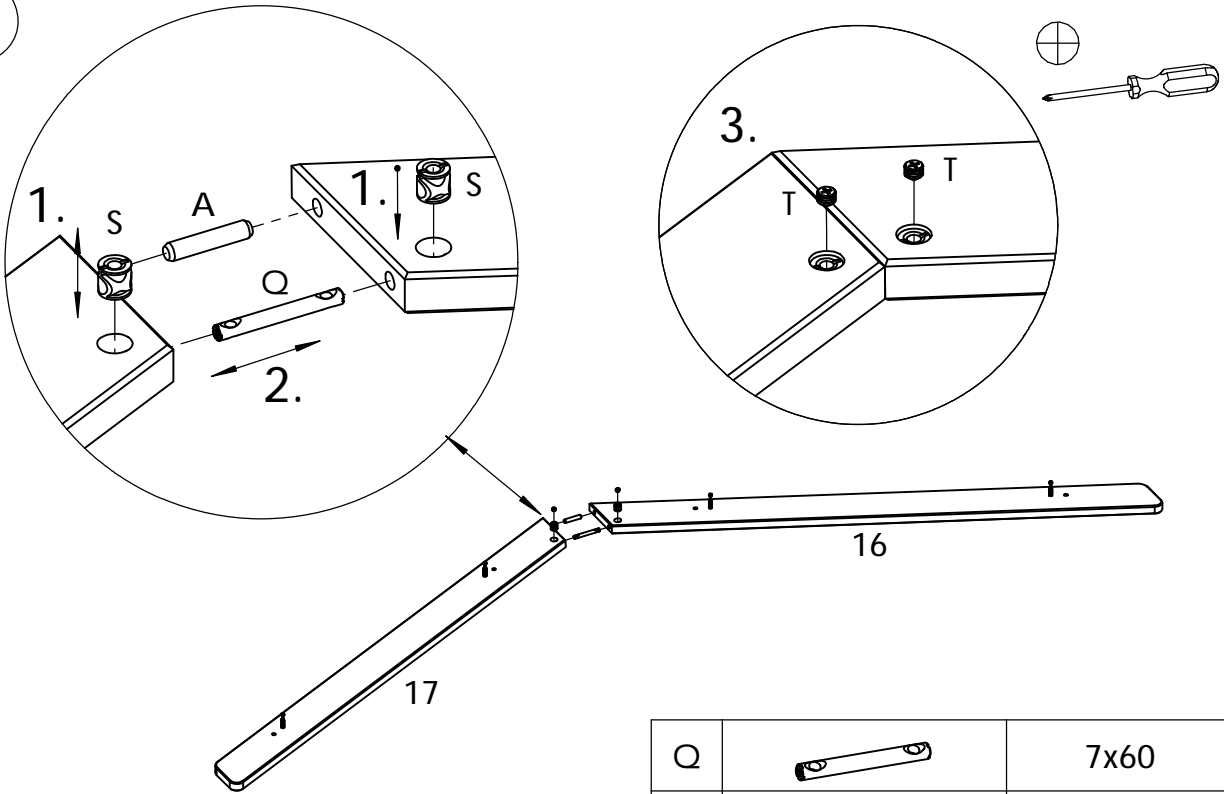
G







7x70

4

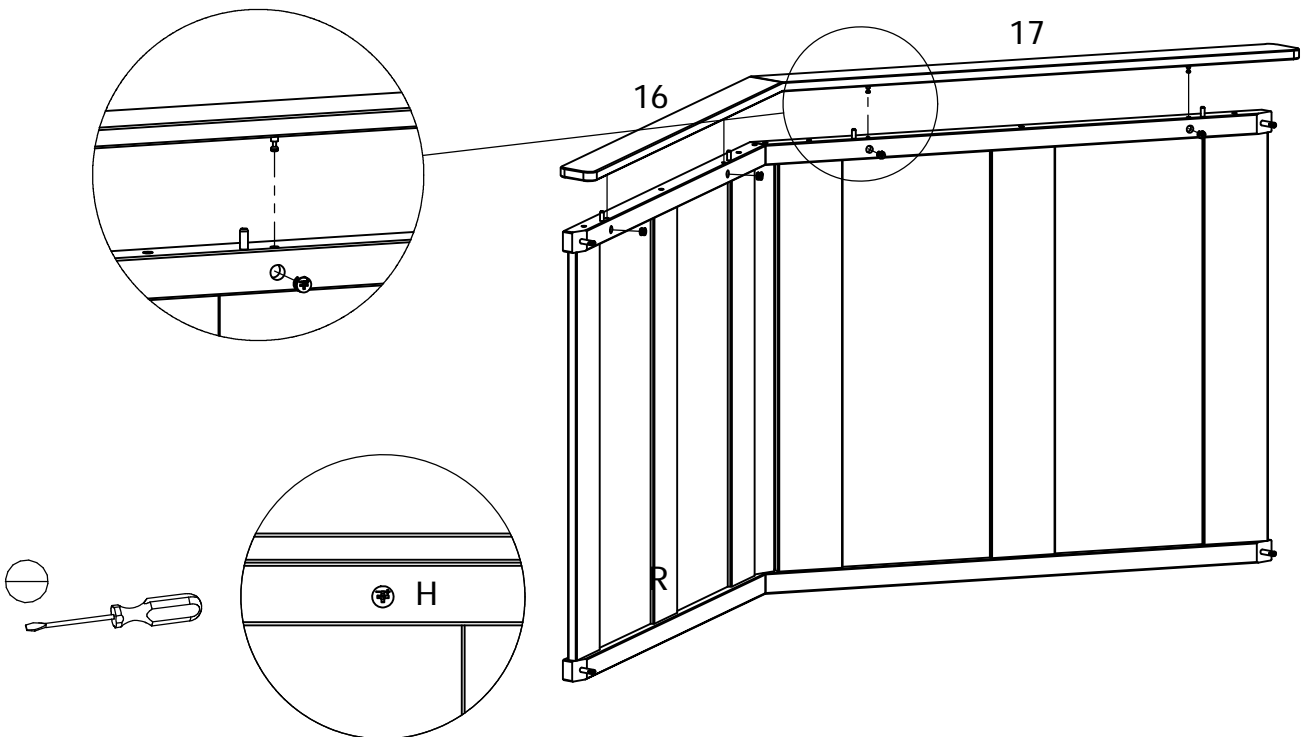
8




Q		7x60	1
S		D14x13,5	2
T		M8x8	2

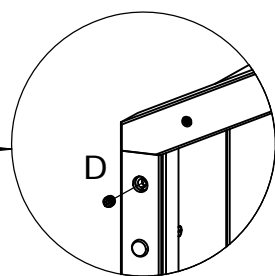
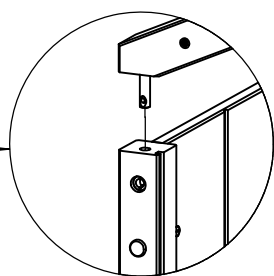
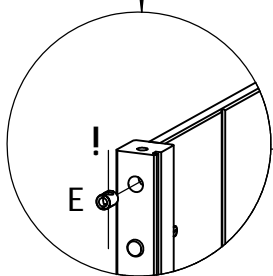
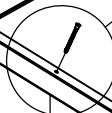
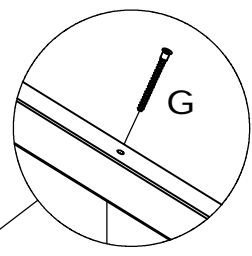
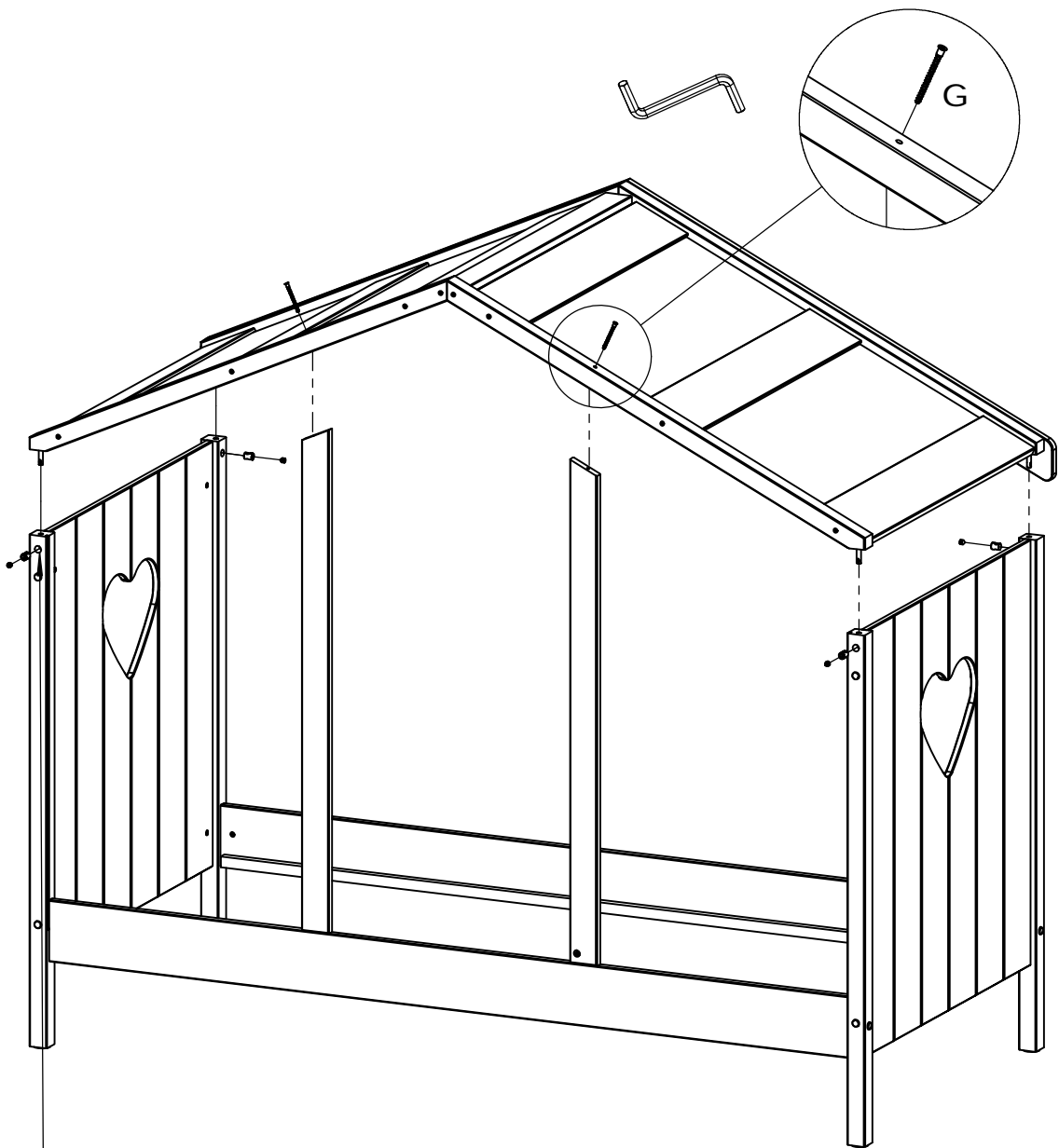
A		8x40	1
---	---	------	---




9



H		15x12	4
---	---	-------	---

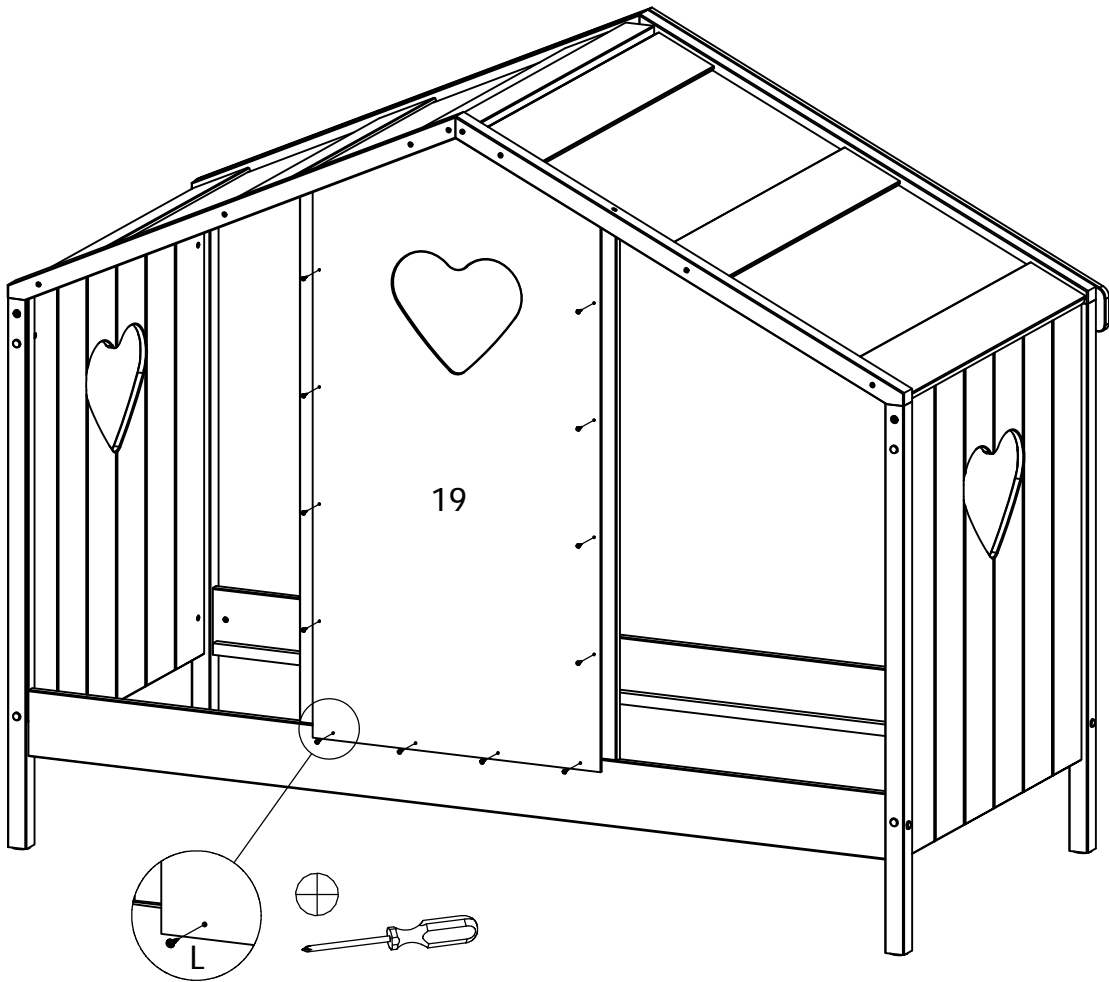
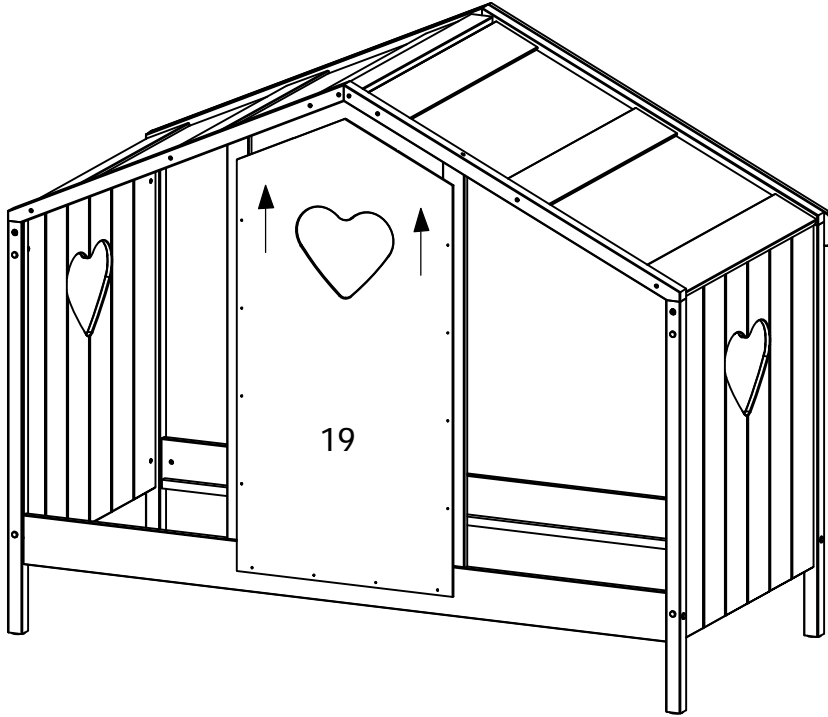
10



D		D10x12	4
E		D15x19	4
G		7x70	2

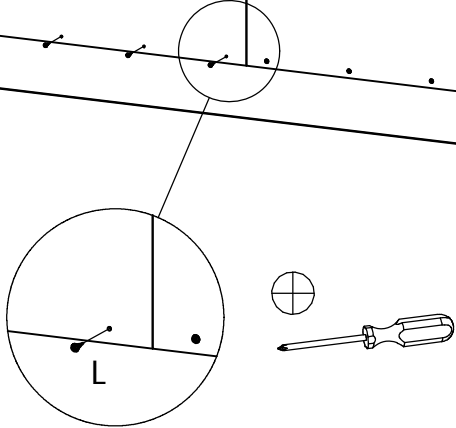
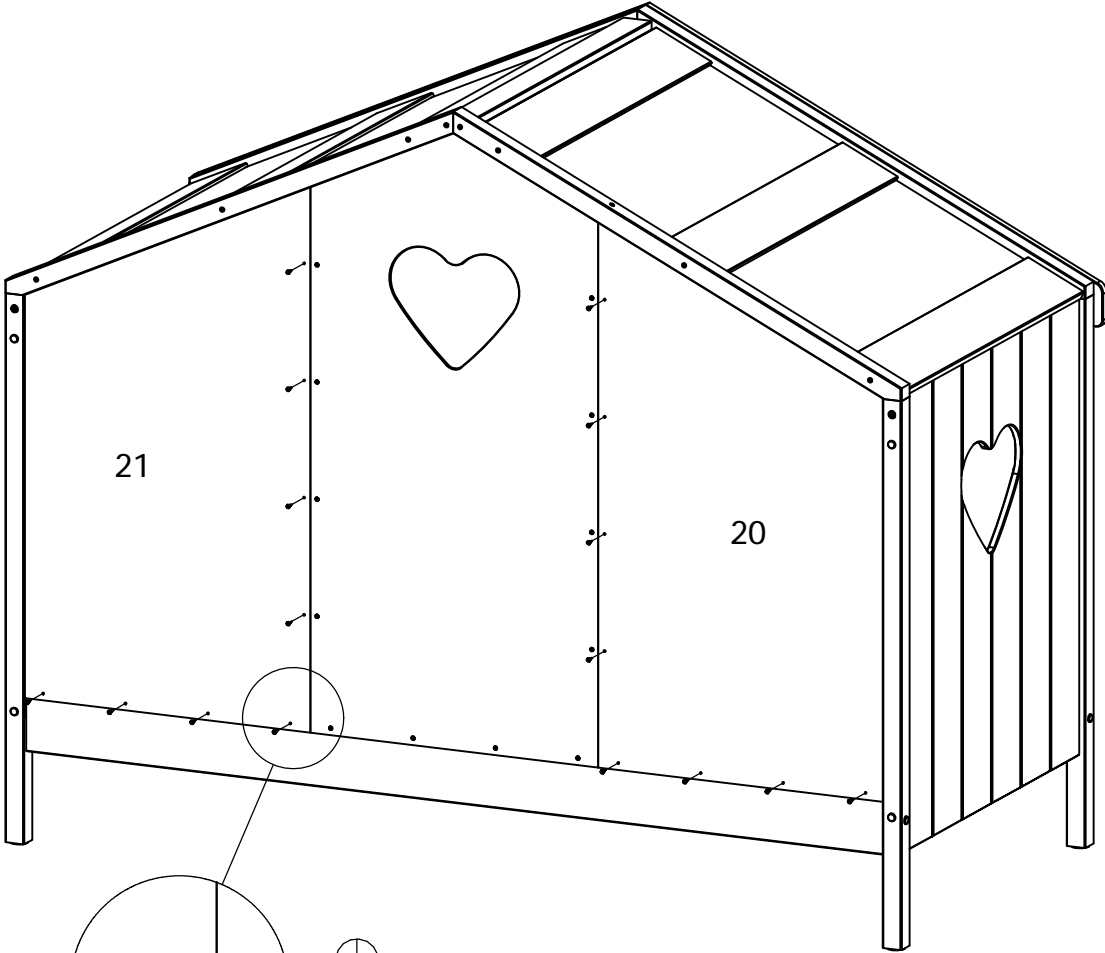
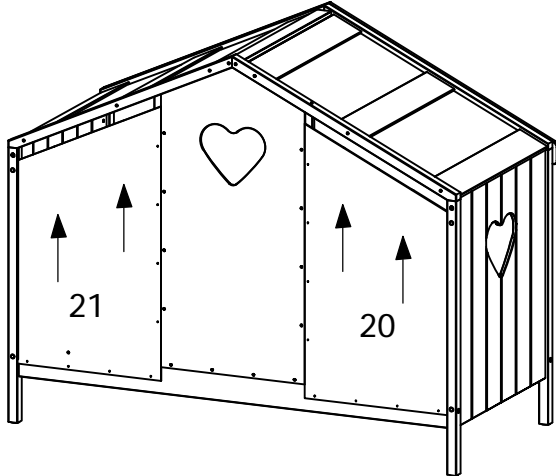
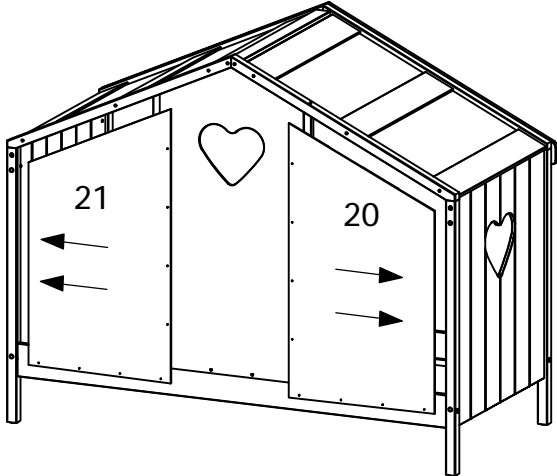



11



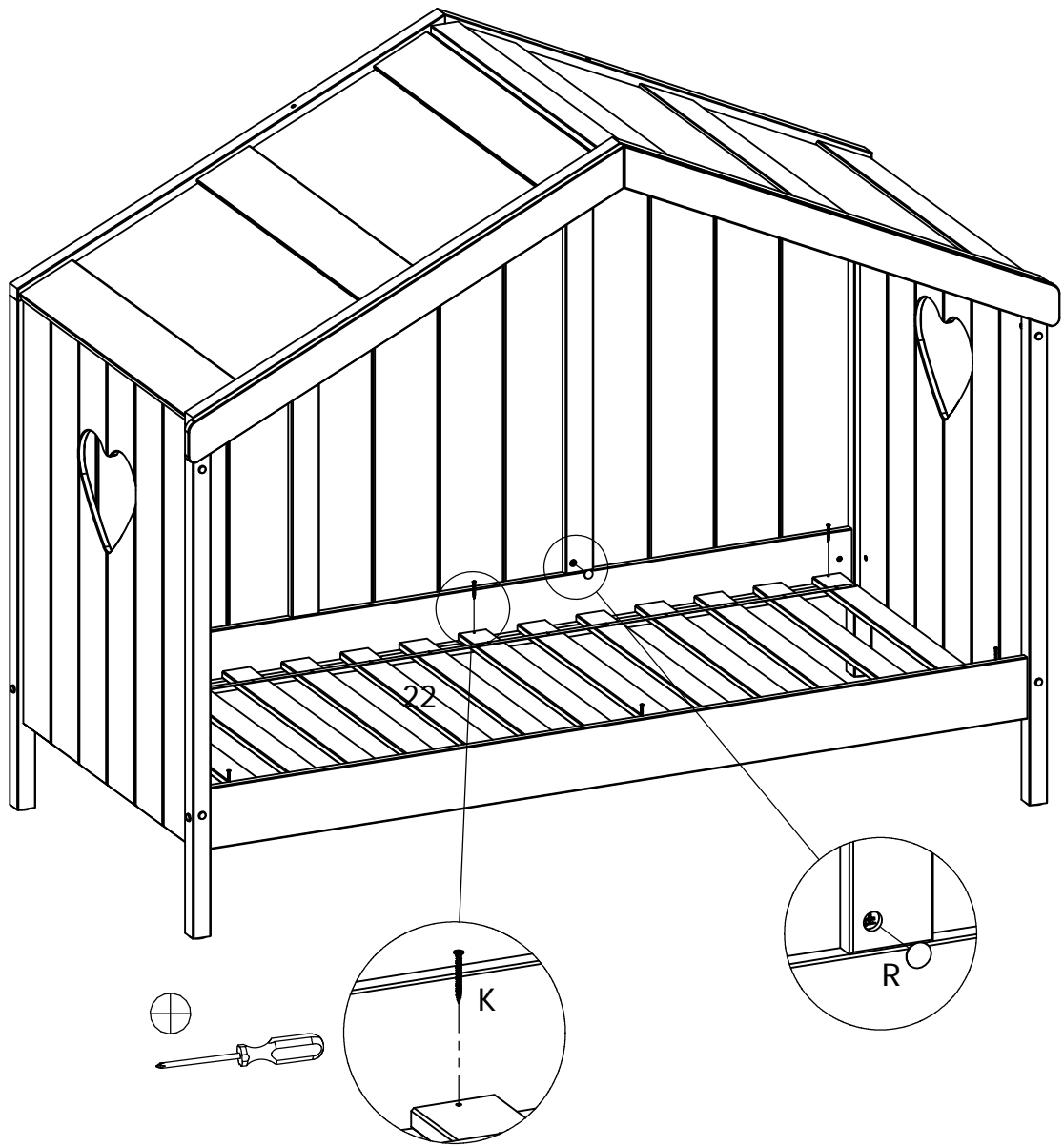
L		4x20	12
---	---	------	----



12



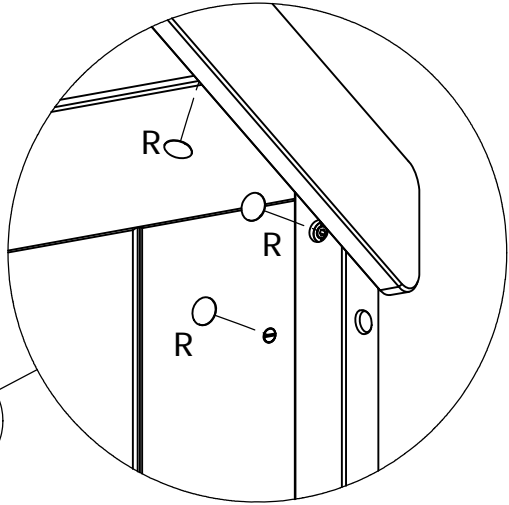
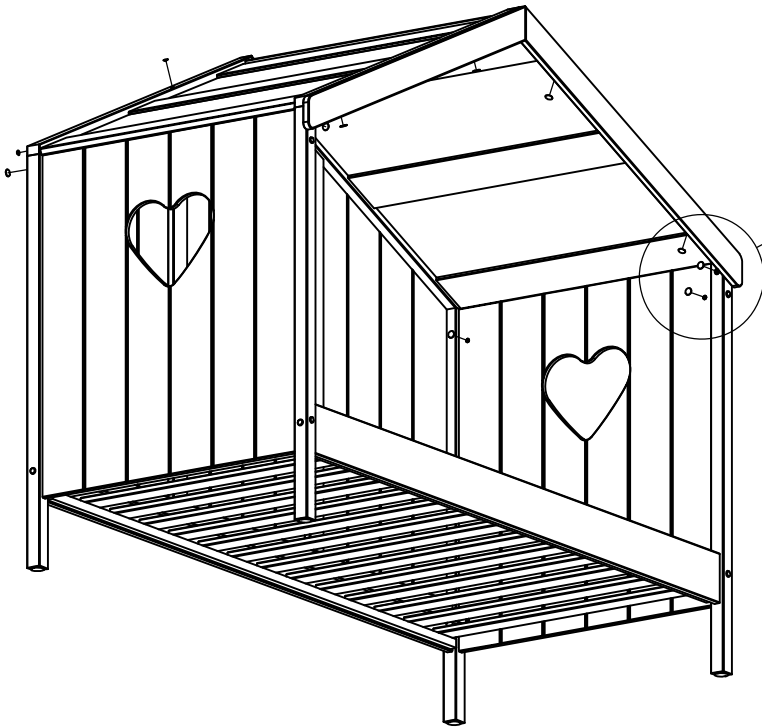
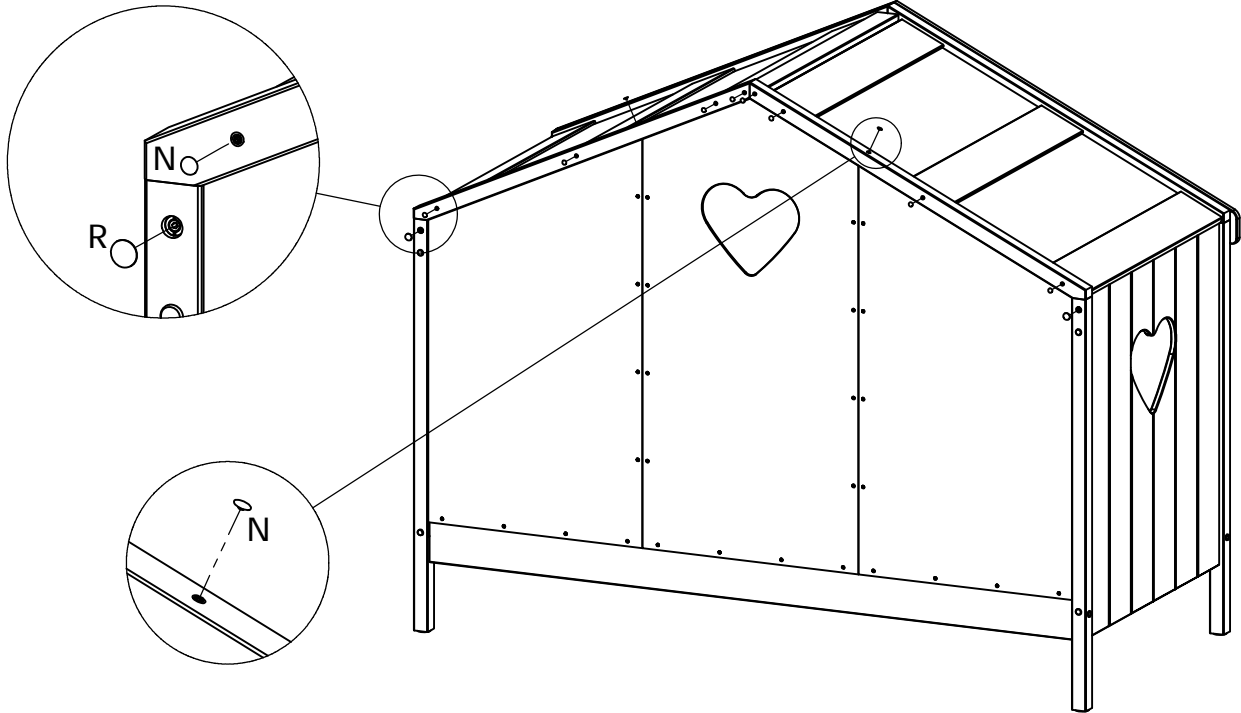
L		4x20	16
---	---	------	----


13

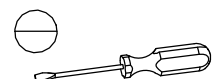
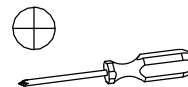
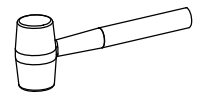
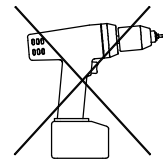
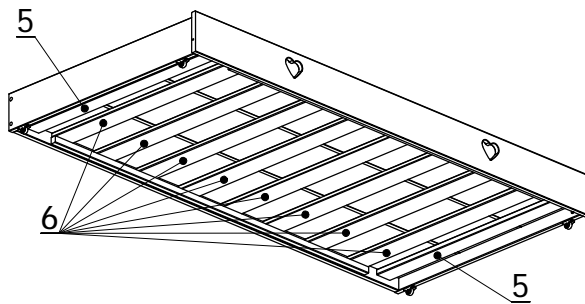
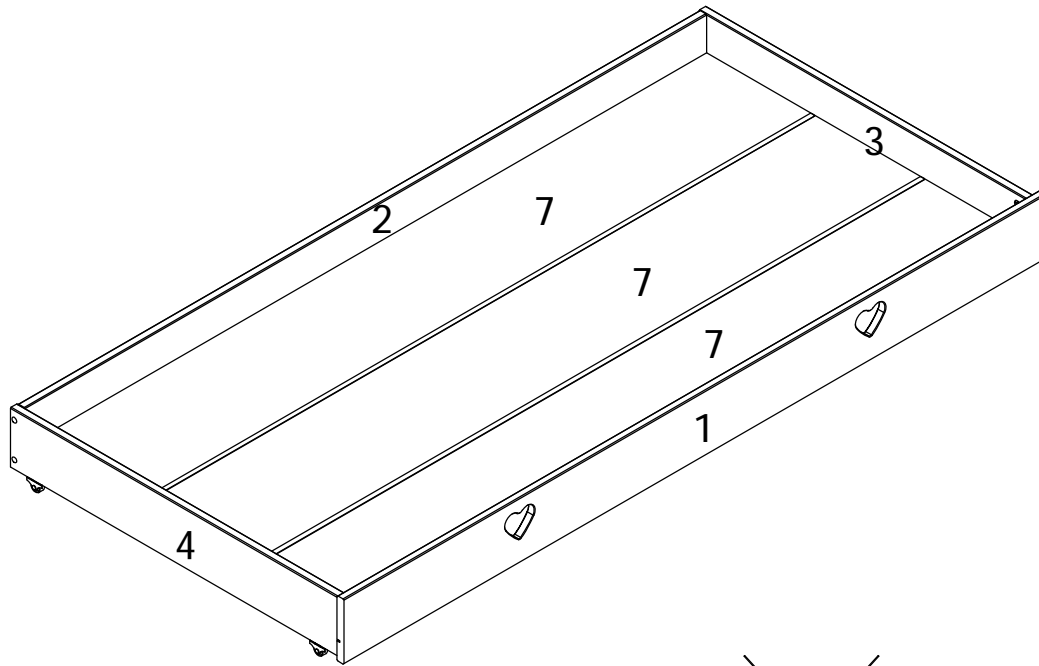
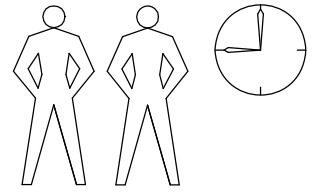


K		3,5x40	6
R		D20	1

14



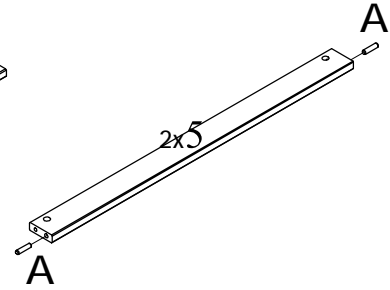
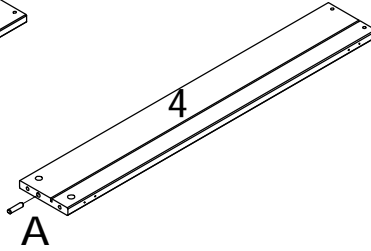
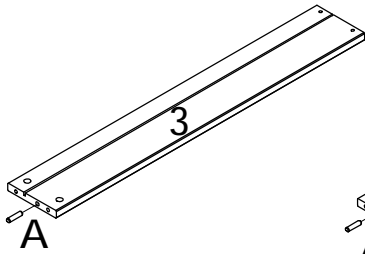
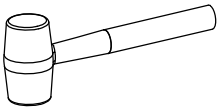
N		D4x13	10
R		D20	14

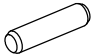


A		10x40	x6
B		7x50	x4
C		7x34	x8
D		15x12	x8
E		3,5x40	x16
F		1897	x2

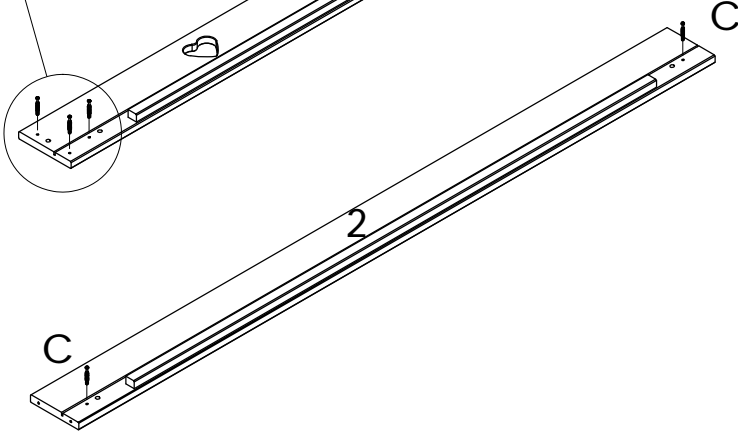
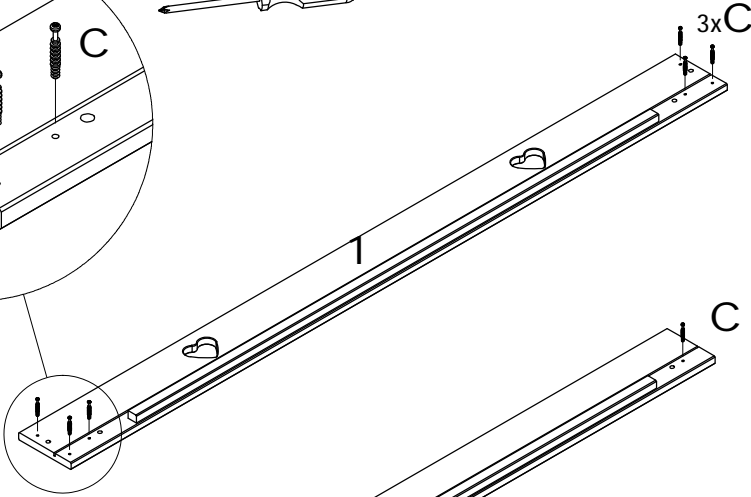
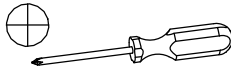
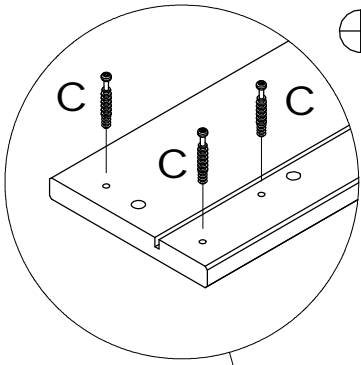
G		D26	x4
H		3,5x16	x8
J		D4x13	x4
K		120x30x6	x2
L		4mm	x1

①



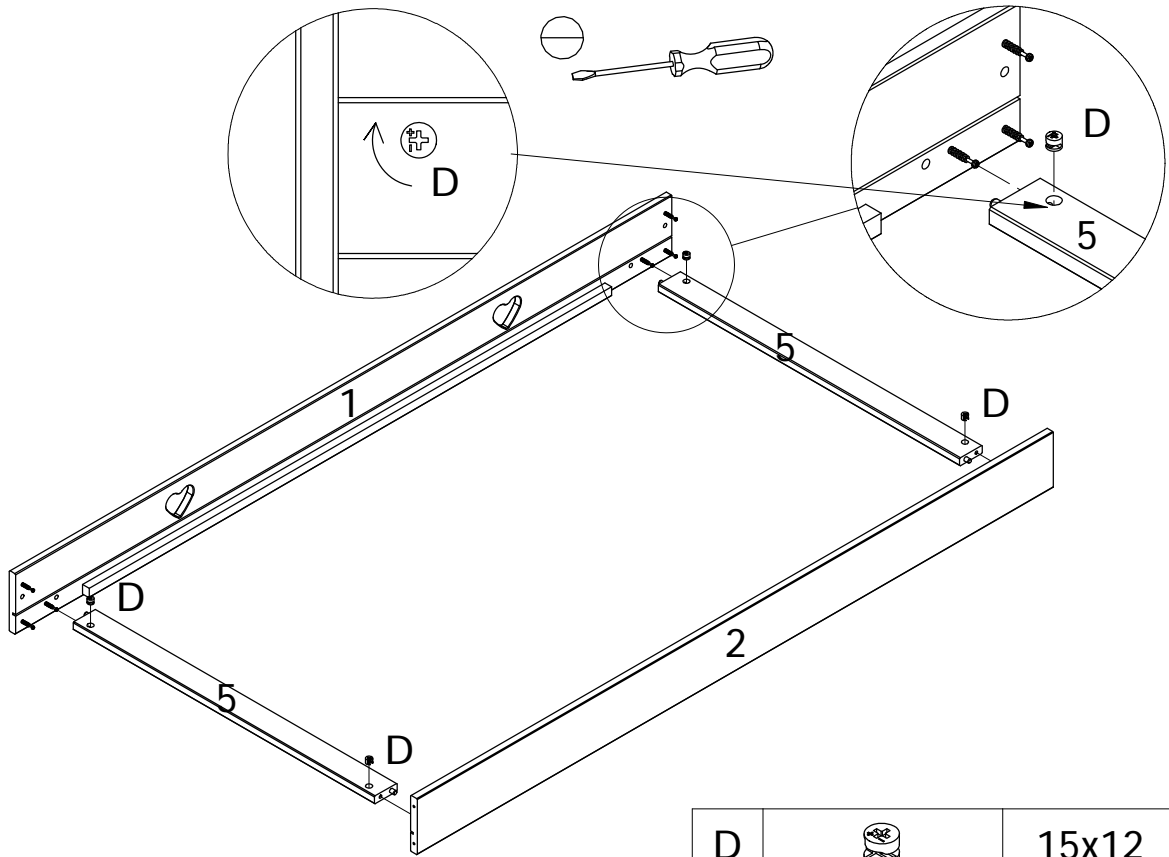
A		10x40	x6
---	---	-------	----


②



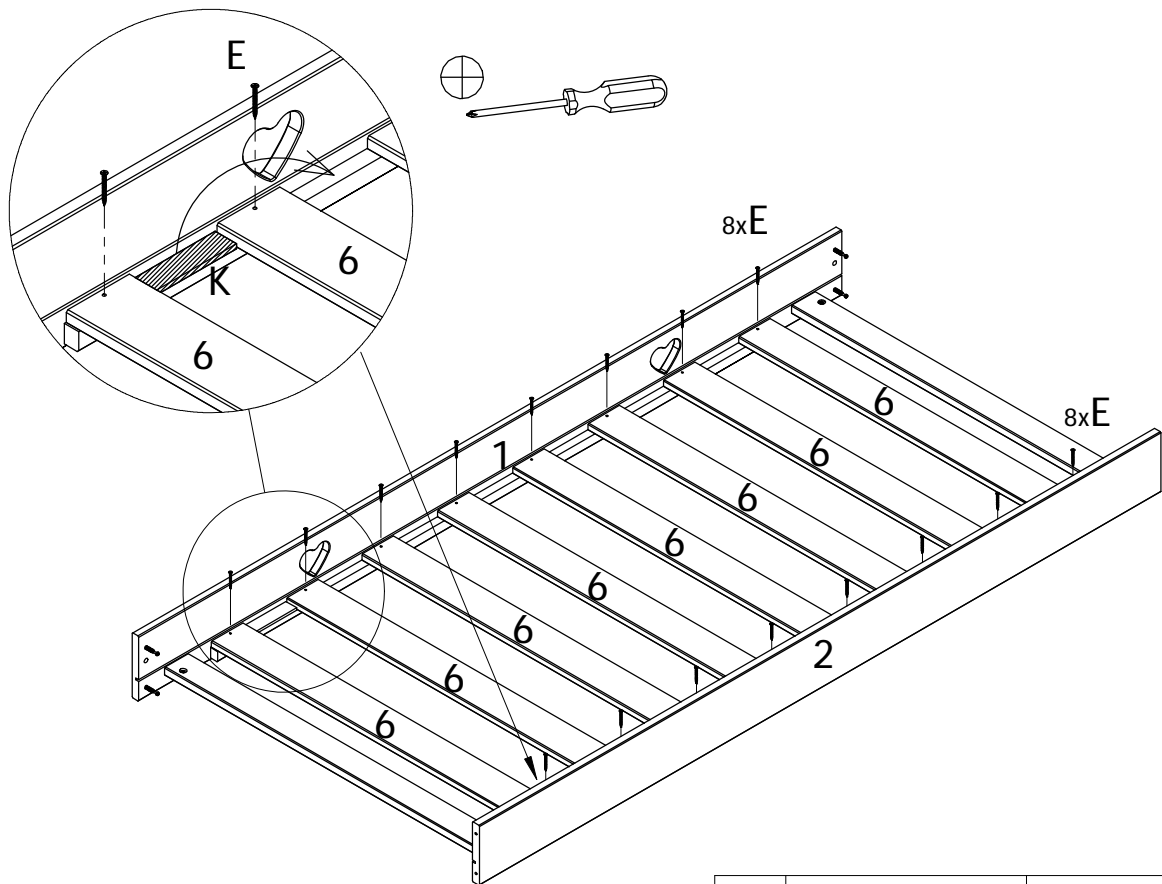
C		7x34	x8
---	---	------	----



3



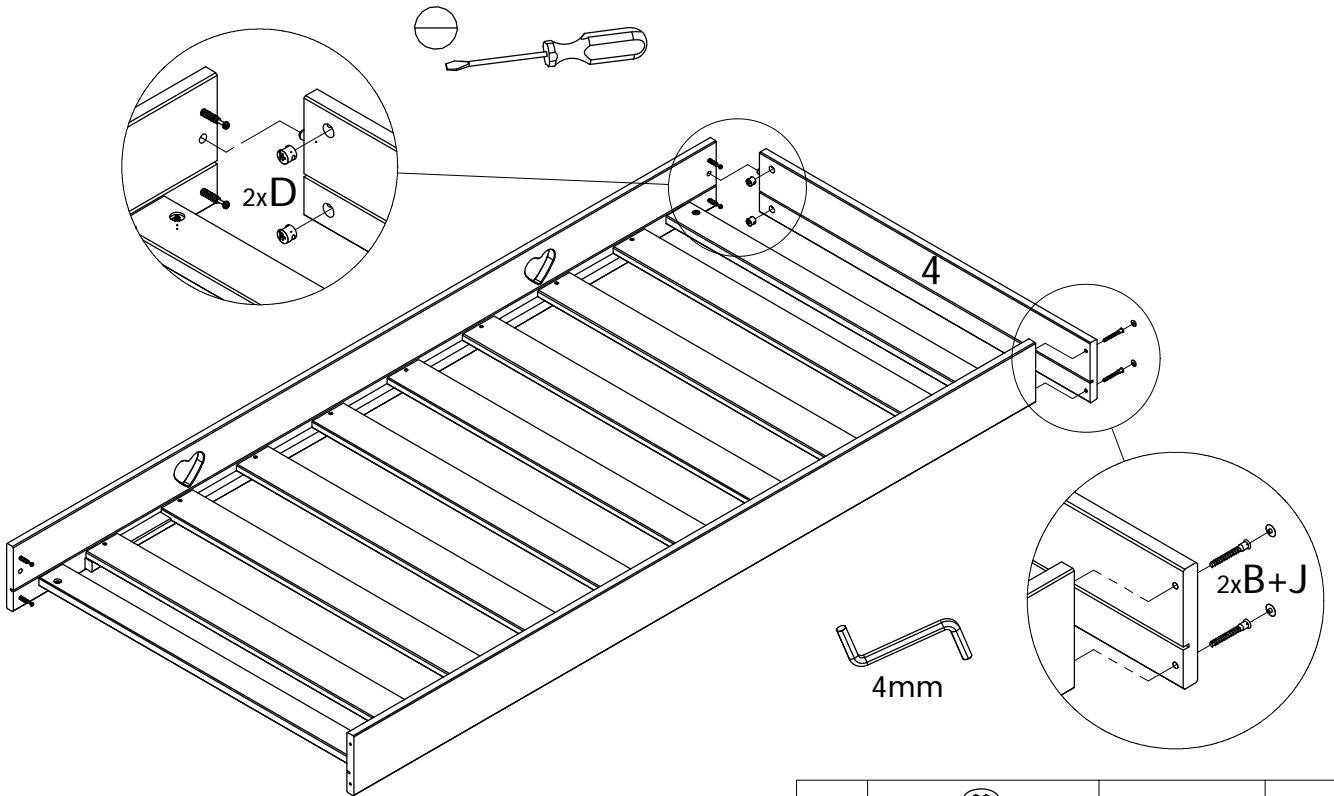
D		15x12	x4
---	---	-------	----




4



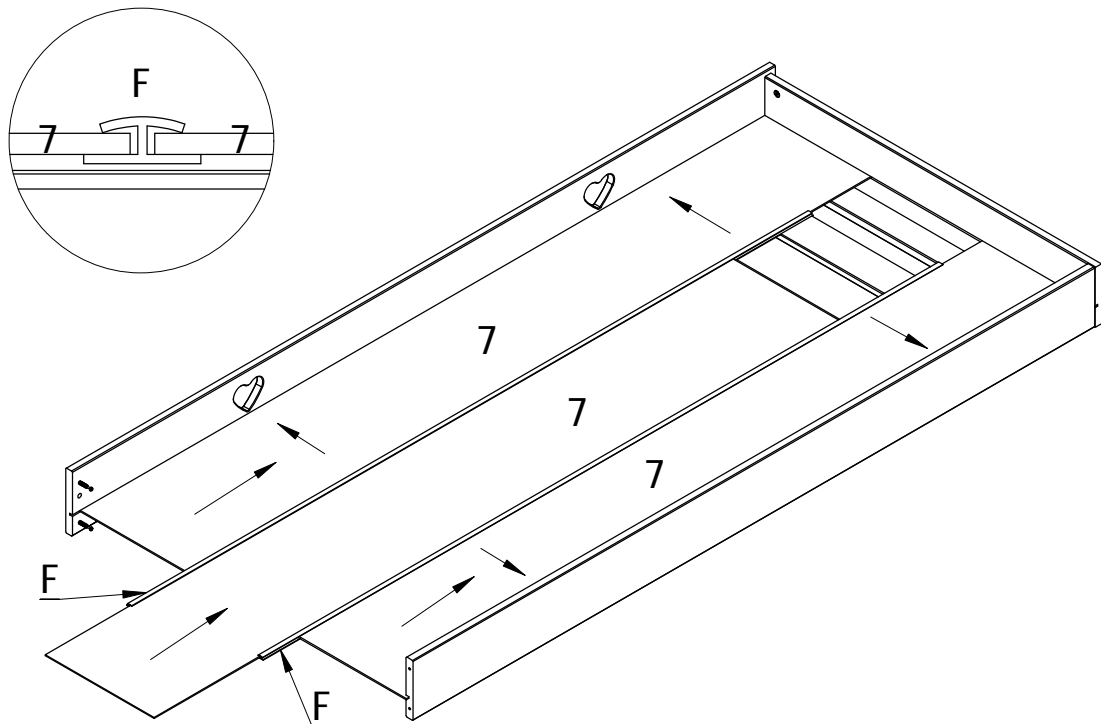
K		120x30x6	x2
E		3,5x40	x16

5



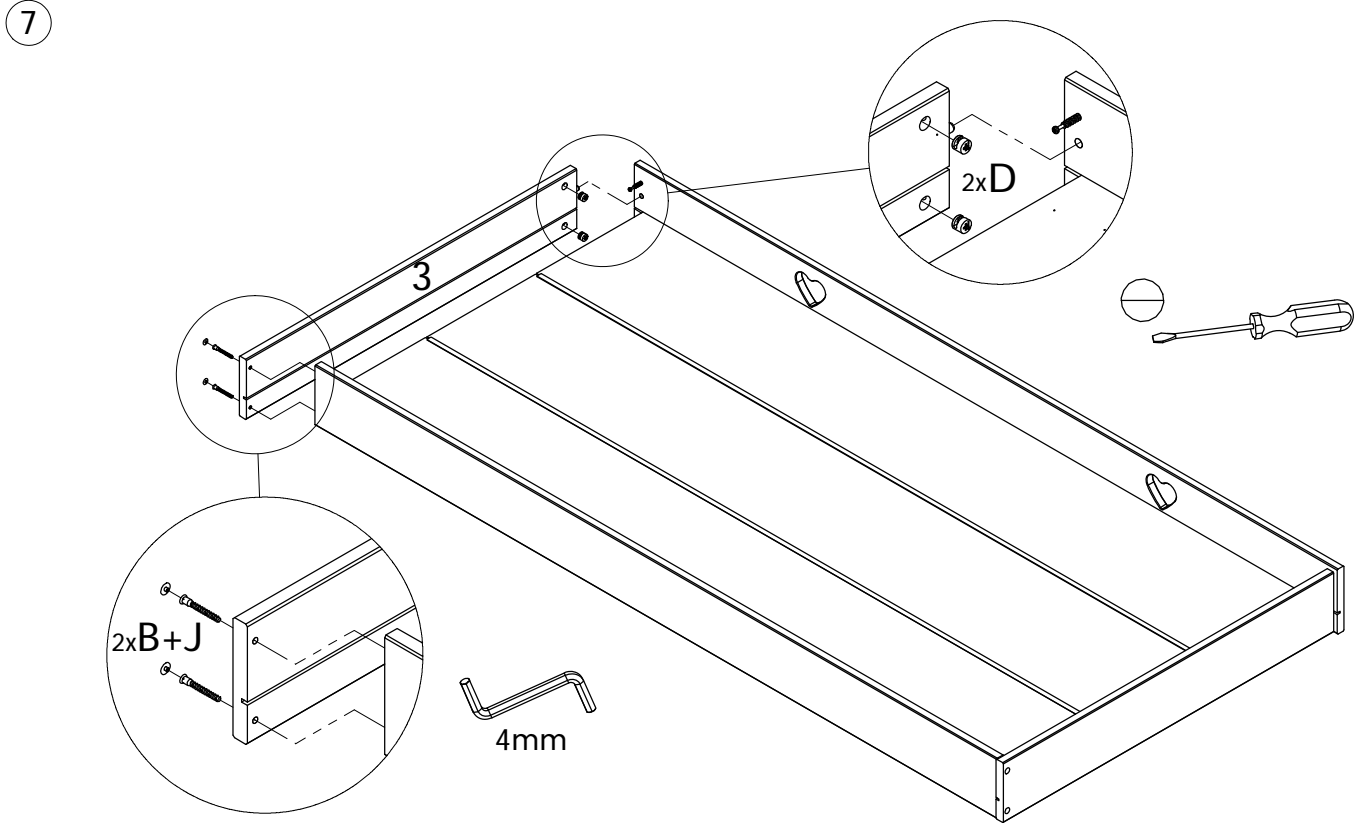
D		15x12	x2
B		7x50	x2
J		D4x13	x2




6

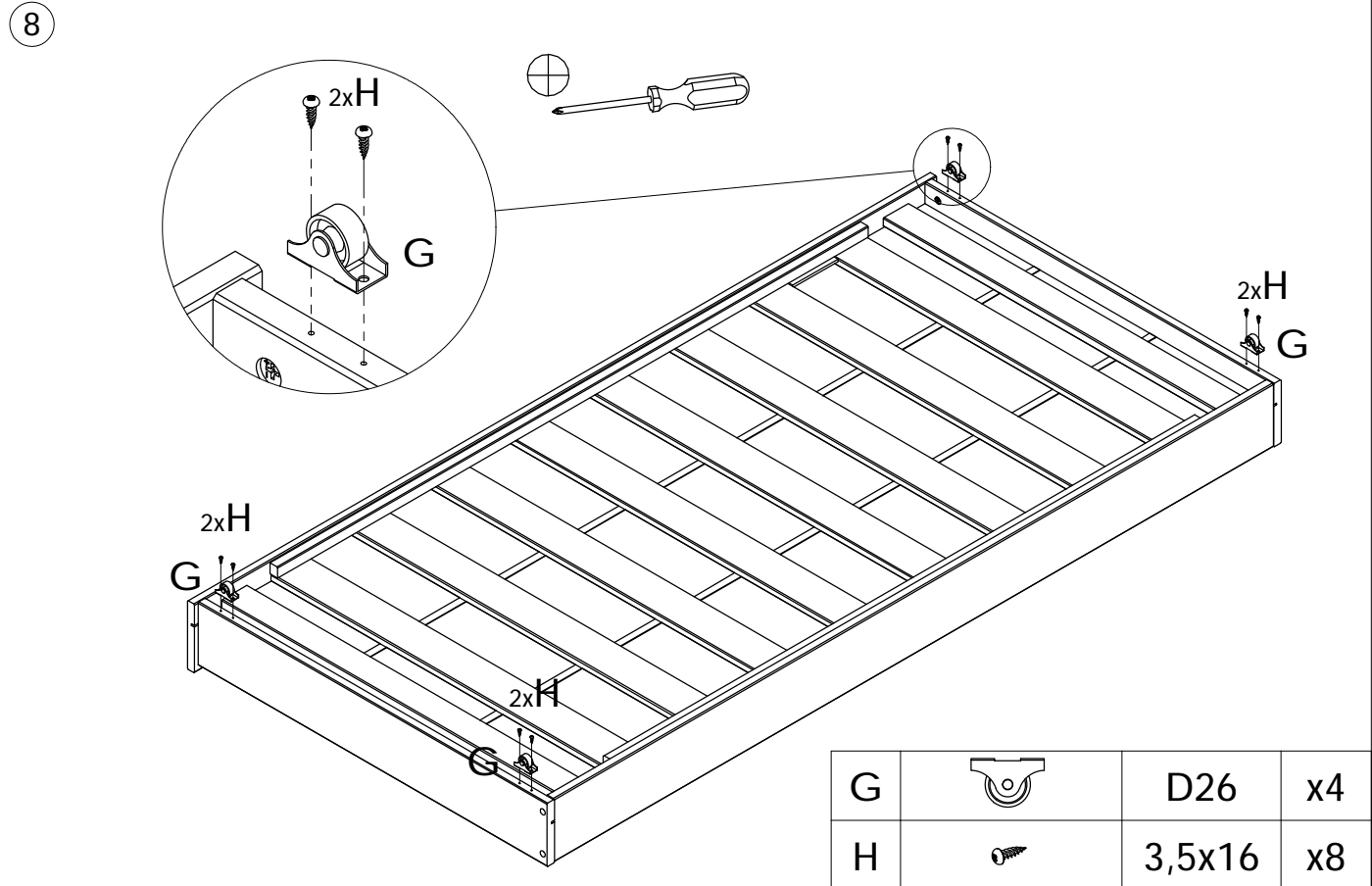




F		1897	x2
---	--	------	----





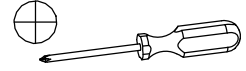
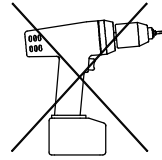
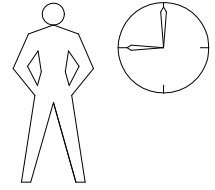
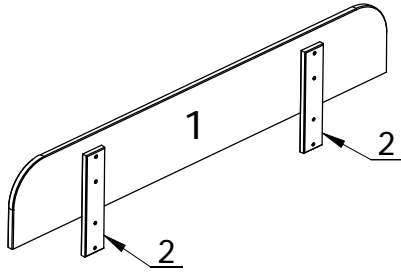
D		15x12	x2
B		7x50	x2
J		D4x13	x2



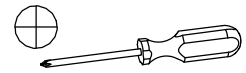
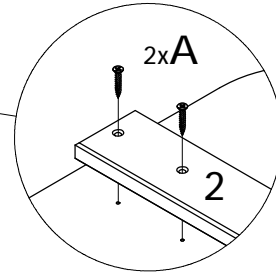
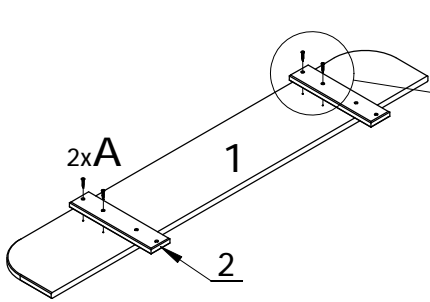
G		D26	x4
H		3,5x16	x8




A		4x25	x8
---	---	------	----

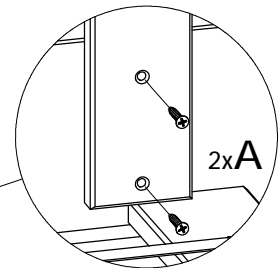
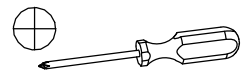
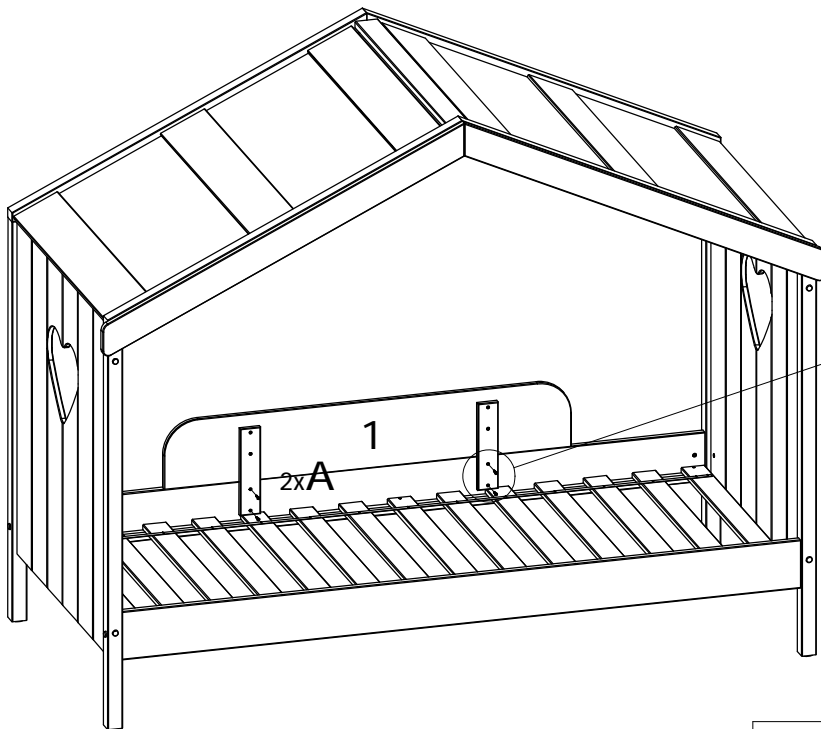



①



A		4x25	x4
---	---	------	----

②



A		4x25	x4
---	---	------	----