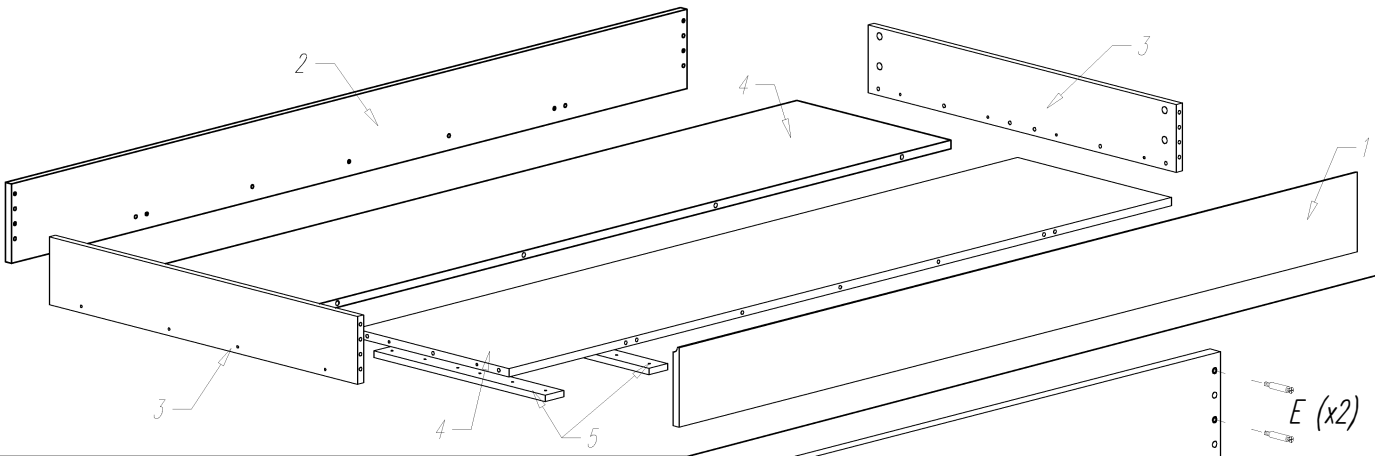


LARA-DRAWER 3/2018

LARA 3 DRAWER 200



! $D \neq E$

