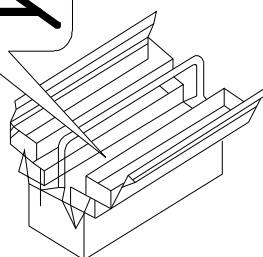
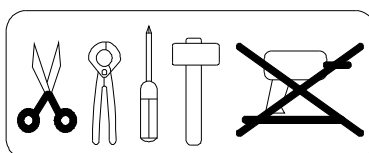
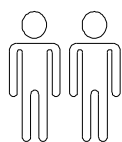
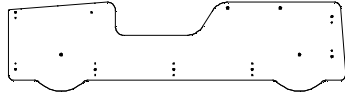
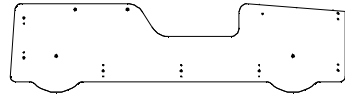
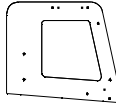
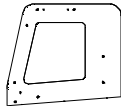
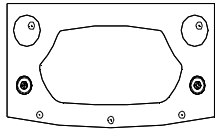
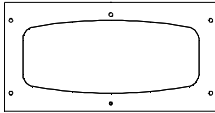
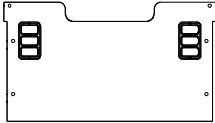
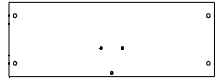



- | | |
|---------------------------------------|-----------------------------------|
| D Montageanleitung | GB Assembly instructions |
| NL Handleiding voor de montage | PL Instrukcja montazu |
| TR Montaj talimati | RU Инструкция по монтажу |
| FR Notice de montage | IT Istruzioni di montaggio |
| CS Montážní návod | SK Návod na montáž |
| HU Szerelési útmutató | RO Instrucțiuni de montaj |



SCFT201

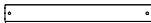

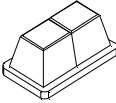






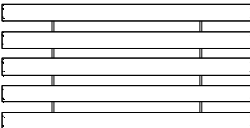
ITEM NO.	MEASUREMENT	QTY	SHAPE	CARTON NO.
①	2150 X 500 X 15	X1		1-4
②	2150 X 500 X 15	X1		1-4
③	600 X 500 X 15	X1	 (R)	2-4
④	600 X 500 X 15	X1	 (L)	2-4
⑤	930 X 465 X 30	X1		2-4
⑥	930 X 430 X 15	X1		2-4
⑦	960 X 500 X 15	x1		2-4
⑧	930 X 300 X 15	x1		2-4
⑨	930 X 160 X 15	x1		2-4

2010x930

2 OF 11

Ver2.016

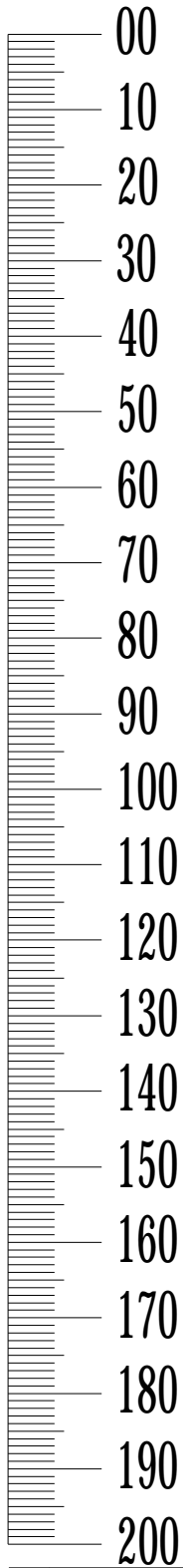
SCFT201

ITEM NO.	MEASUREMENT	QTY	SHAPE	CARTON NO.
⑩	930 X 98 X 15	x3		2-4
⑪	900 X 40 X 15	x2		2-4
⑫	200 X 118 X 80	x1		2-4
⑬	400 X 148 X 15	x1		2-4
⑭	400 X 148 X 15	x1		2-4
⑮	240 X 240 X 12	x1		2-4
⑯	45 X 45 X 32	x1		2-4
⑰	800 X 200 X 15	x2		2-4
⑱	400 X 400 X 24	x4		3-4
⑲	2007 X 118 X 12	x5		4-4

2010x930

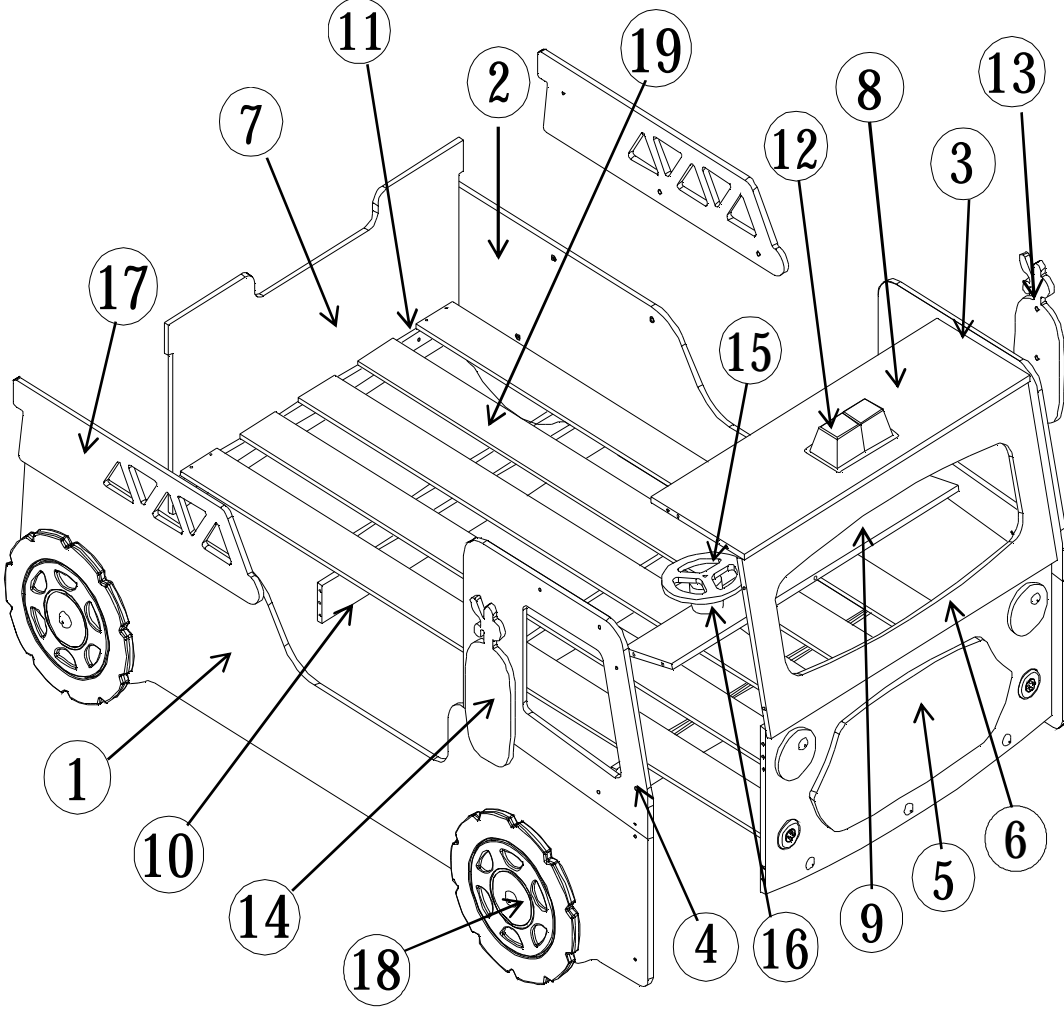
3 OF 11

Ver2.016

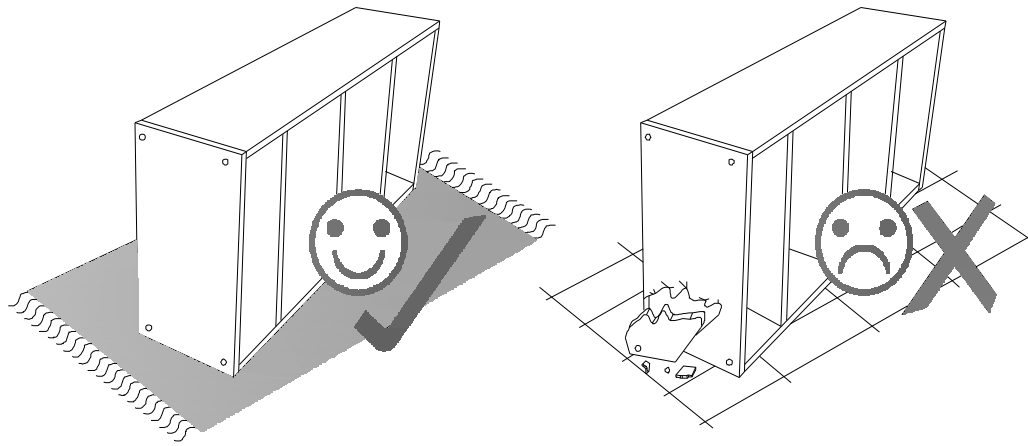


Service • Asistenza • Dienstverlening • Servis
Servis • Szerviz • Сервисная служба

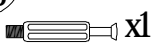
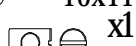

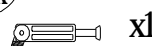
Name • Nom • Nome • Naam • Nazwa • Jméno • Názov • Név • Denumire • Isim • Название	
Nr. • No. • N° • Номер • Číslo • Sz	
Typ • Type • Tip • Tipus • Tipo • Тип	

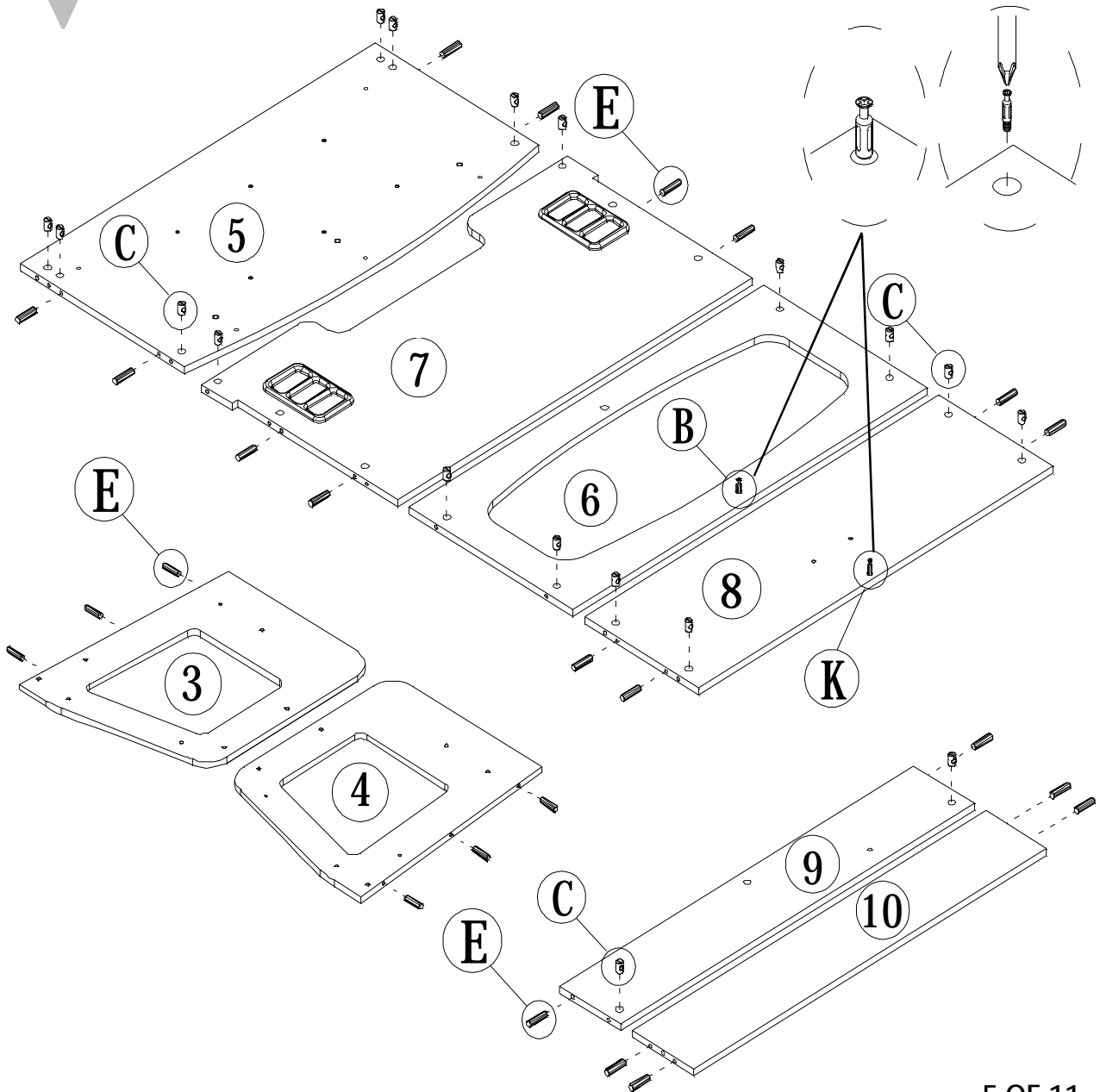


A x12	B x11	C 10x11 x18	D Spanner x1	E 8x30 x32	F 3.5x29 x8
G1 6x20 x4	G2 6x25 x14	G3 6x45 x4	G4 6x50 x18	G5 6x70 x1	H 11x6x5 x1
I 20x7x1 x2	J x4	K x1	L Allen Key x1	M 38x11 x4	



1

B  x1	C 10x11  x18	E 8x30  x32	K  x1
--	---	--	---

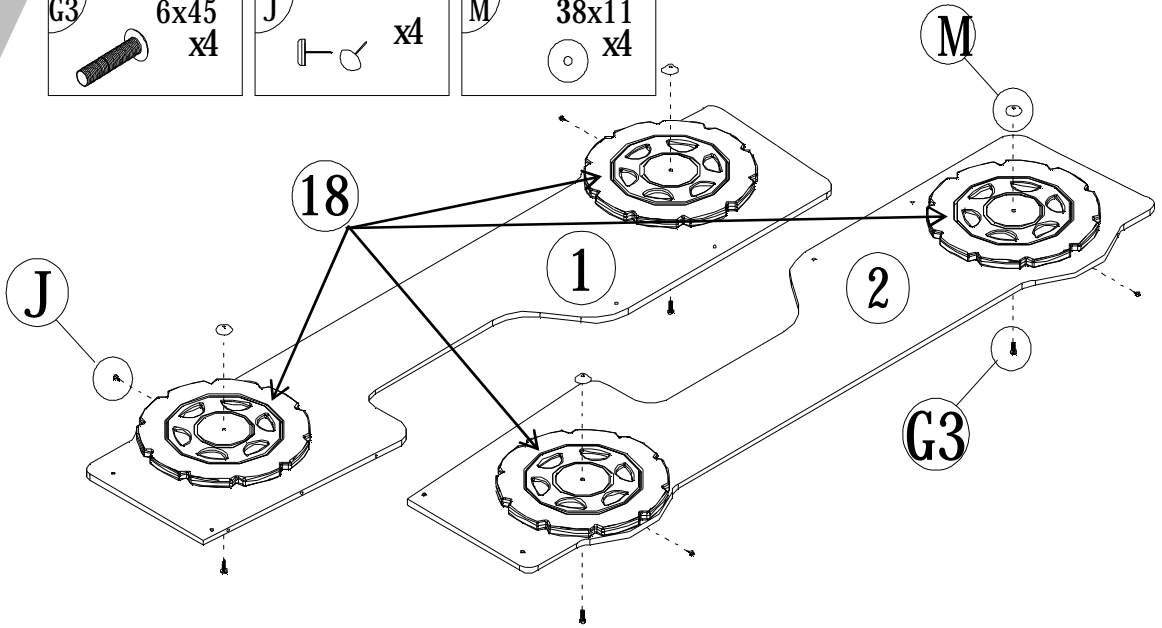


2

G3 6x45 x4

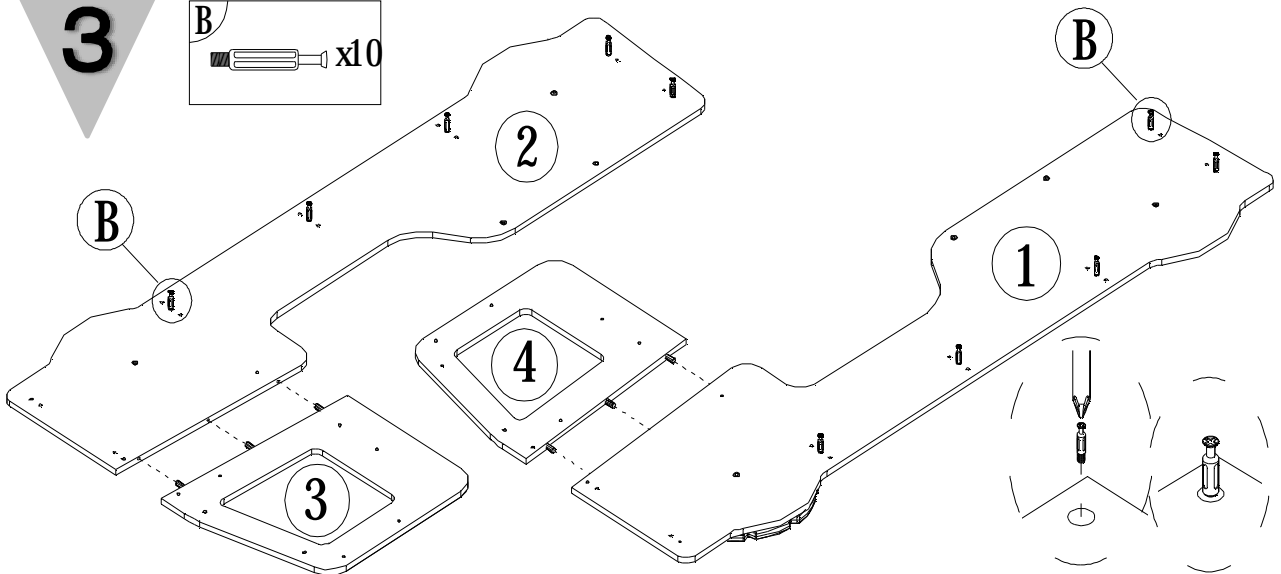
J x4

M 38x11 x4



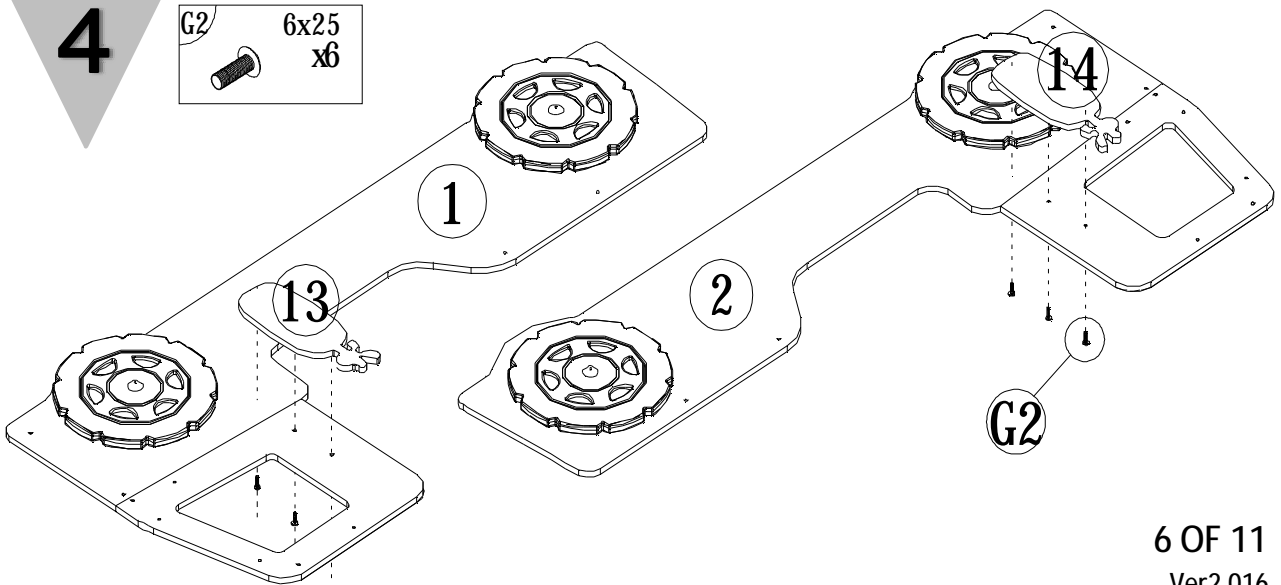
3

B x10

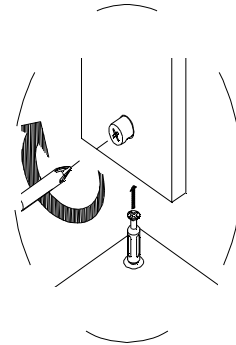
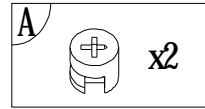
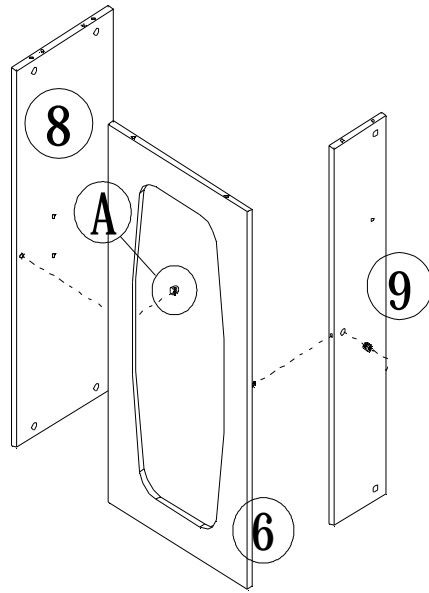


4

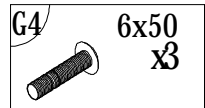
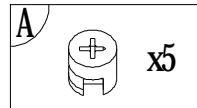
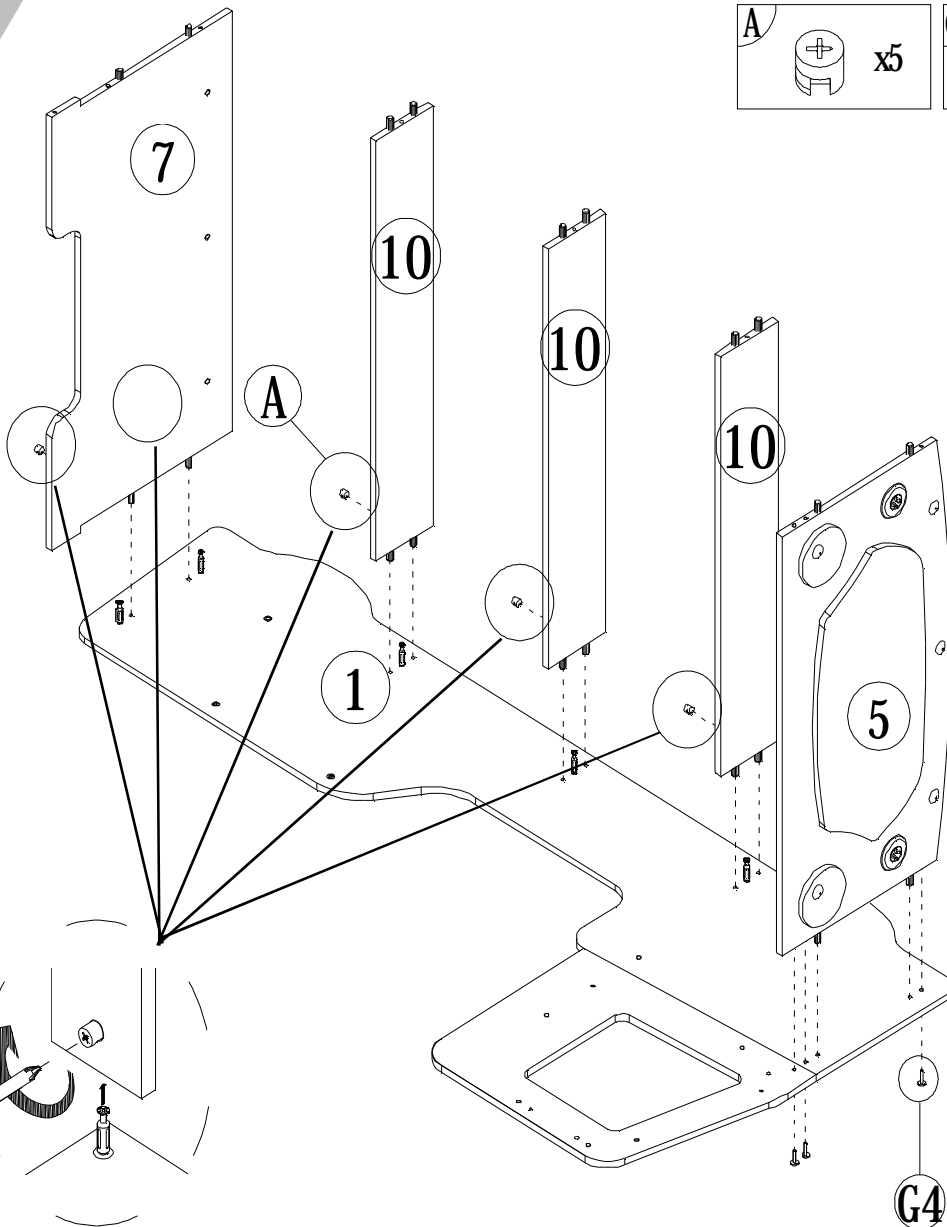
G2 6x25 x6



5

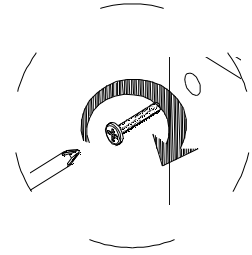
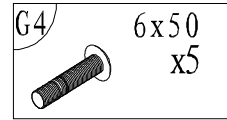
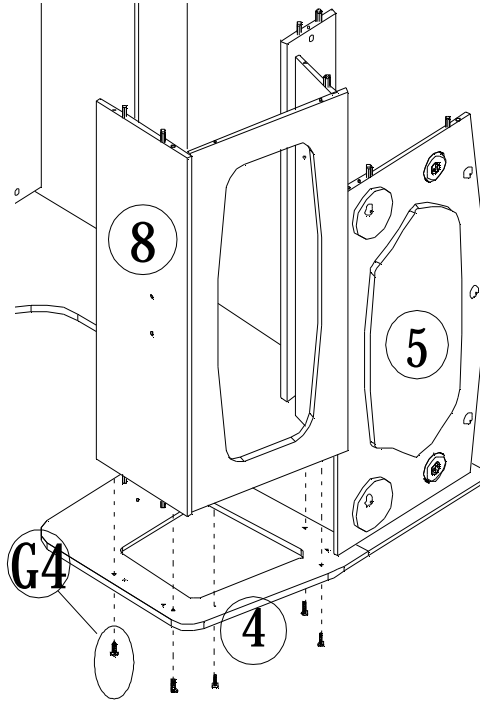


6

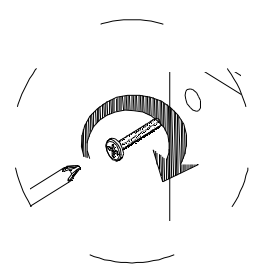
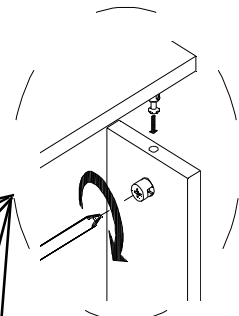
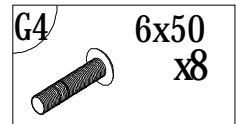
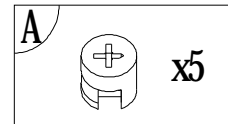
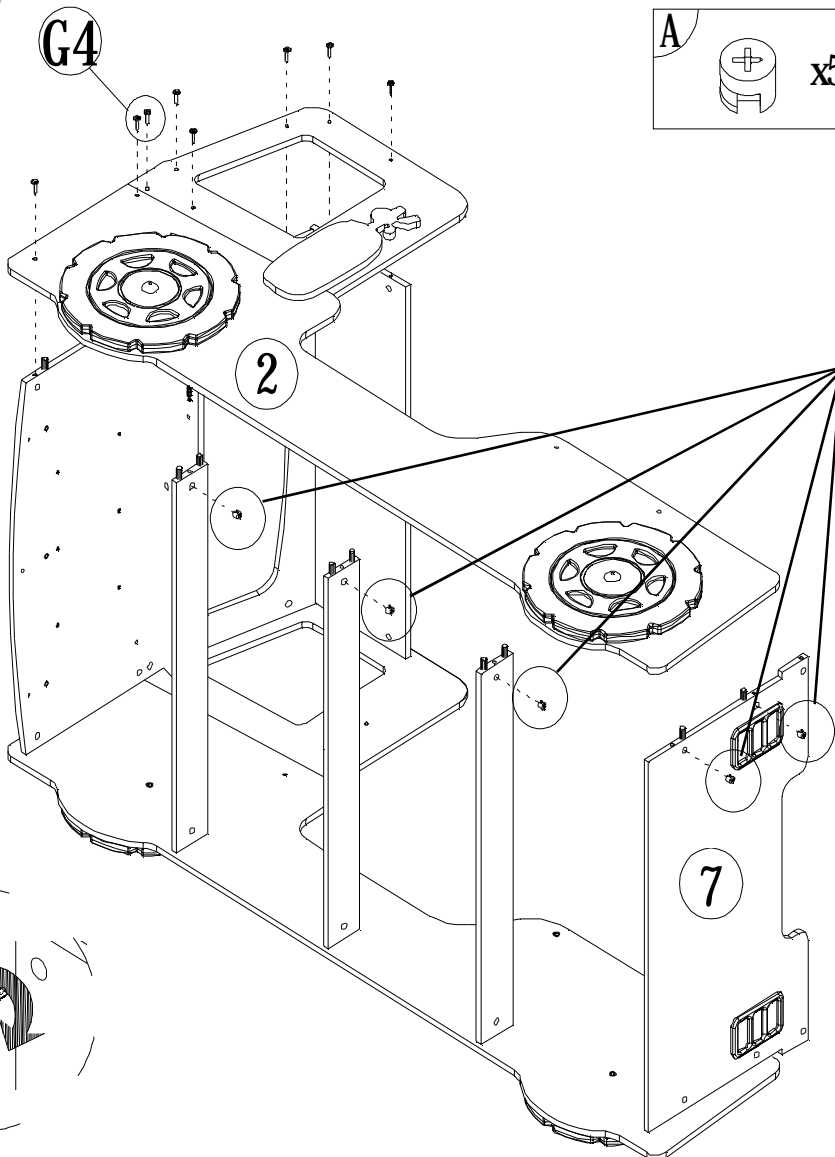


G4

7

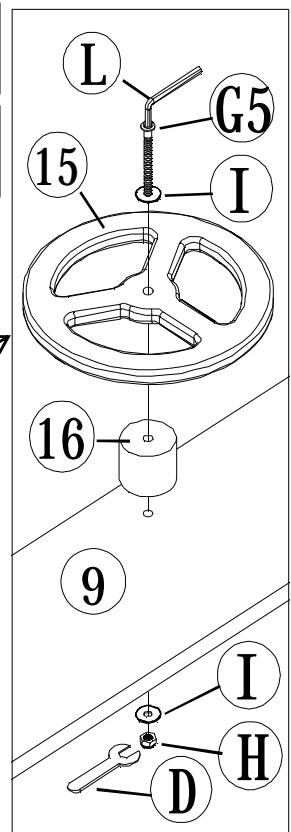
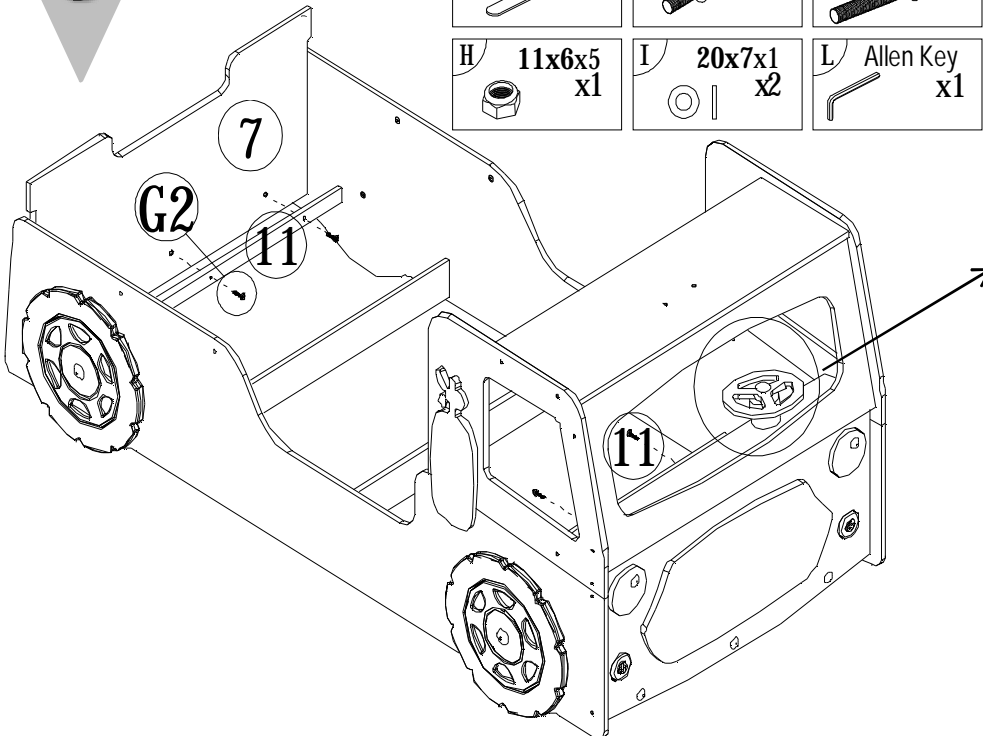


8



9

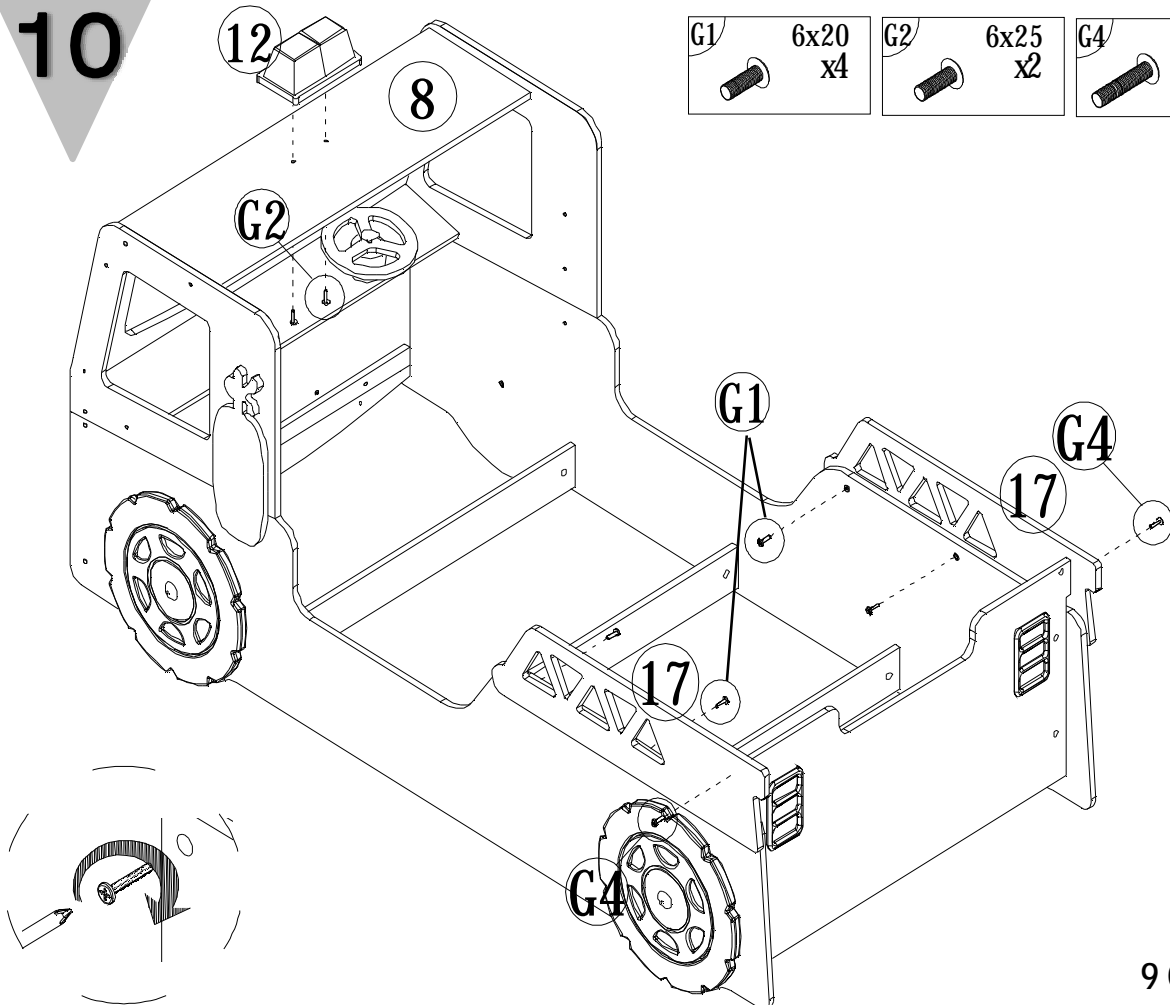
D	Spanner	G2	6x25	G5	6x70
	x1		x6		x1
H	11x6x5	I	20x7x1	L	Allen Key
	x1		x2		x1



Using the Spanner (D) and Allen Key (L), ensure that the Bolt (G5) and Locking Nut (H) are securely fixed and that the wheel can still turn freely.

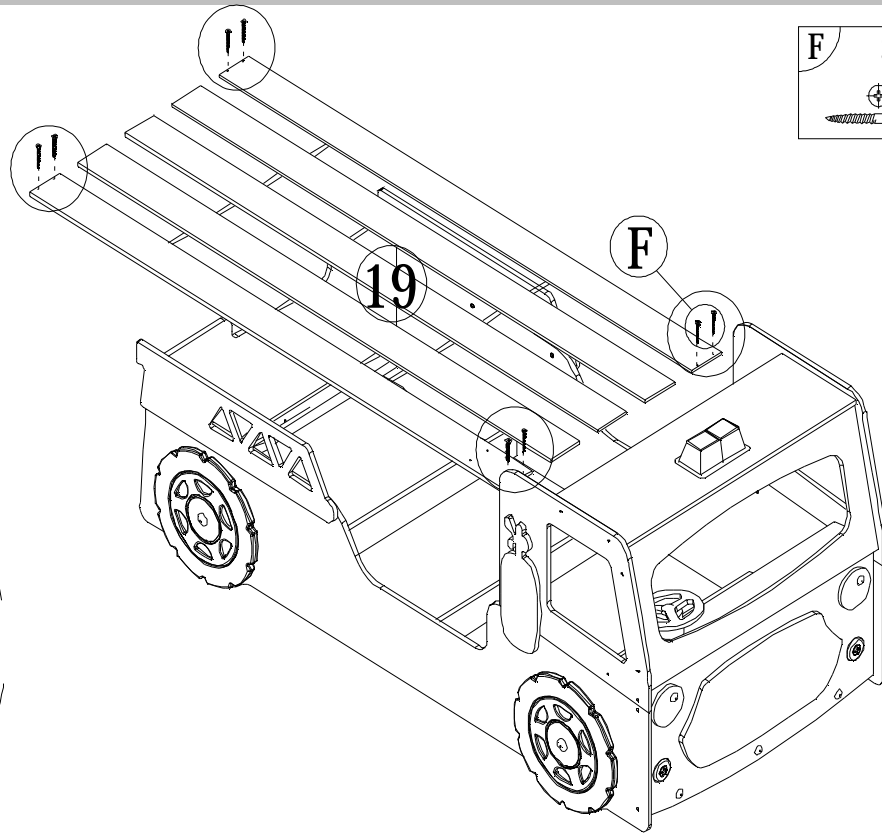
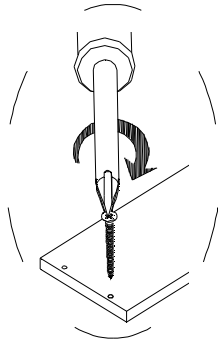
10

G1	6x20	G2	6x25	G4	6x50
	x4		x2		x2

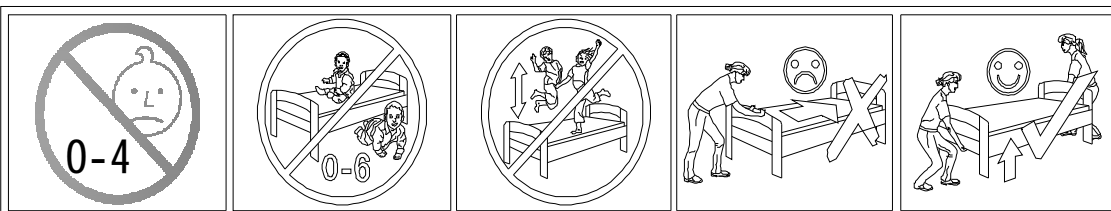
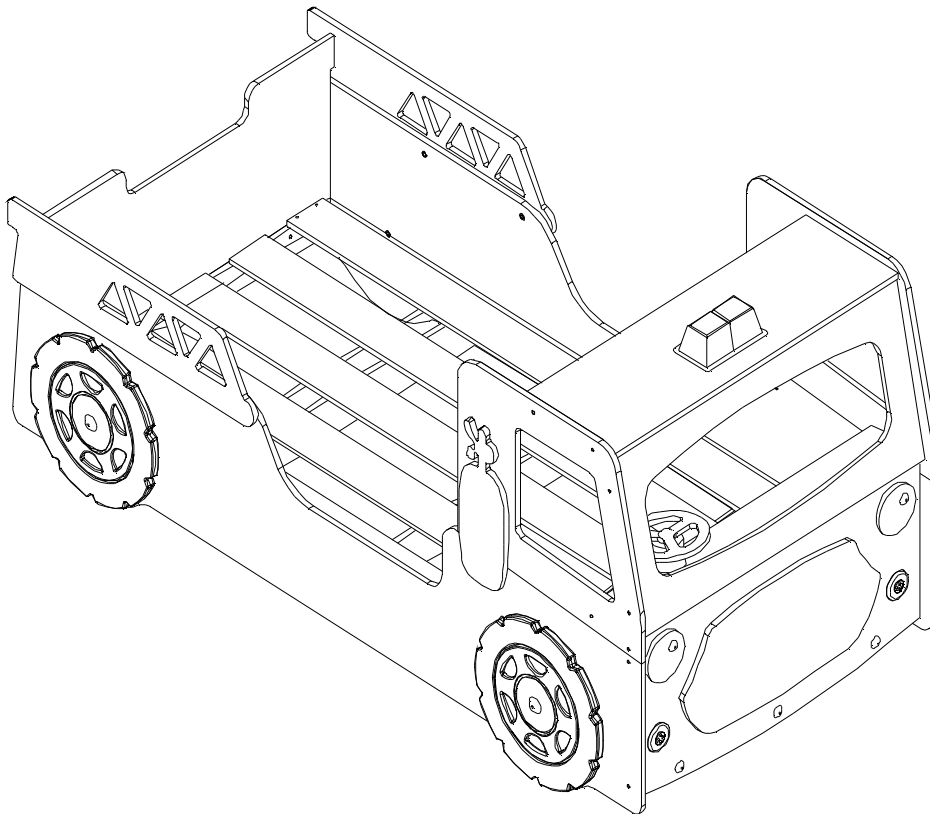


11

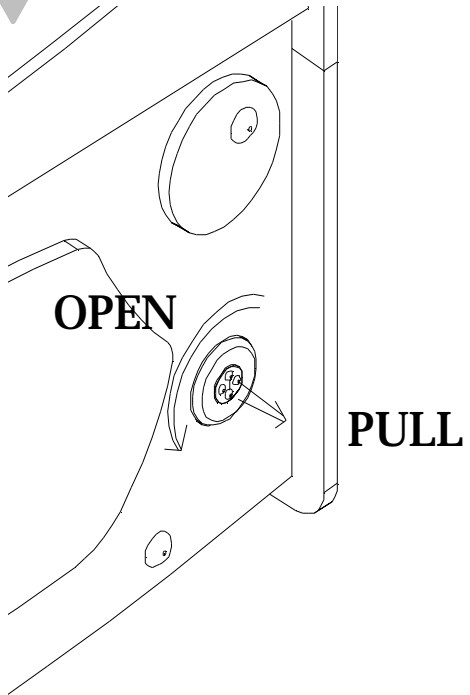
F 3.5x29
x8



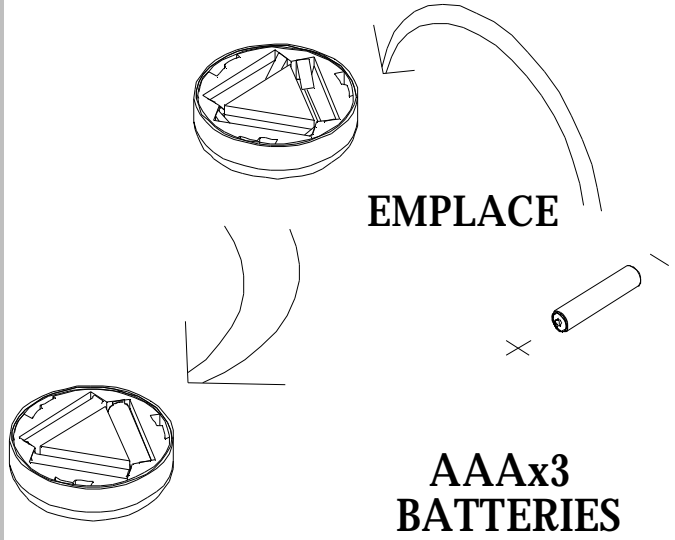
12



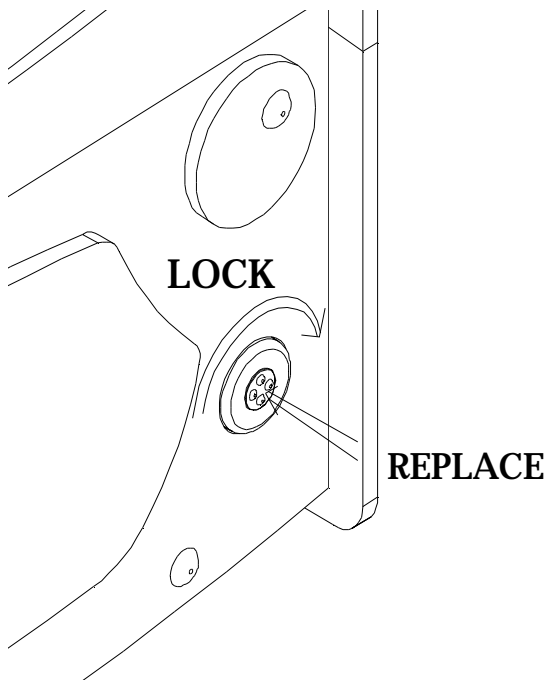
13



14



15



16

