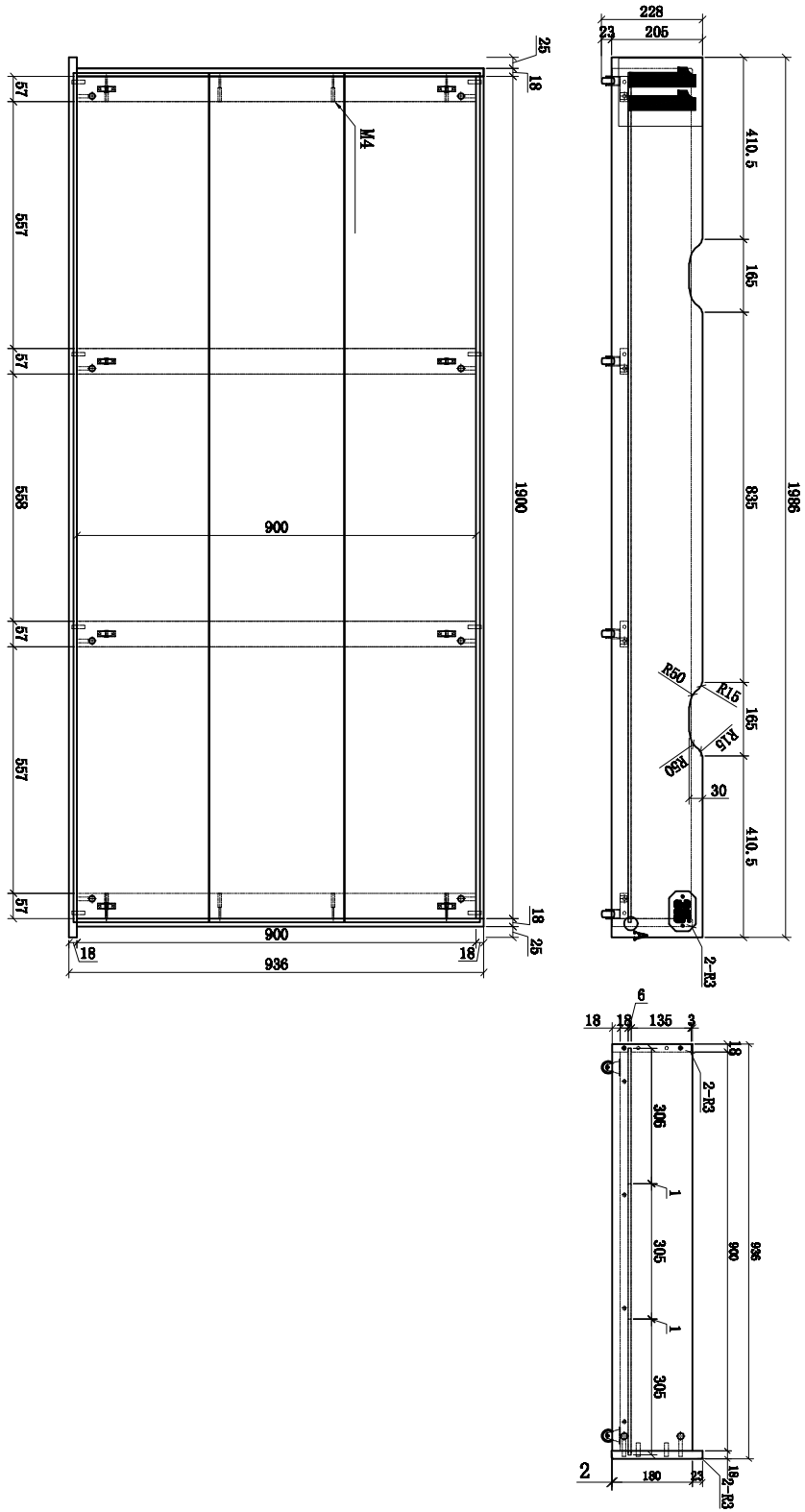


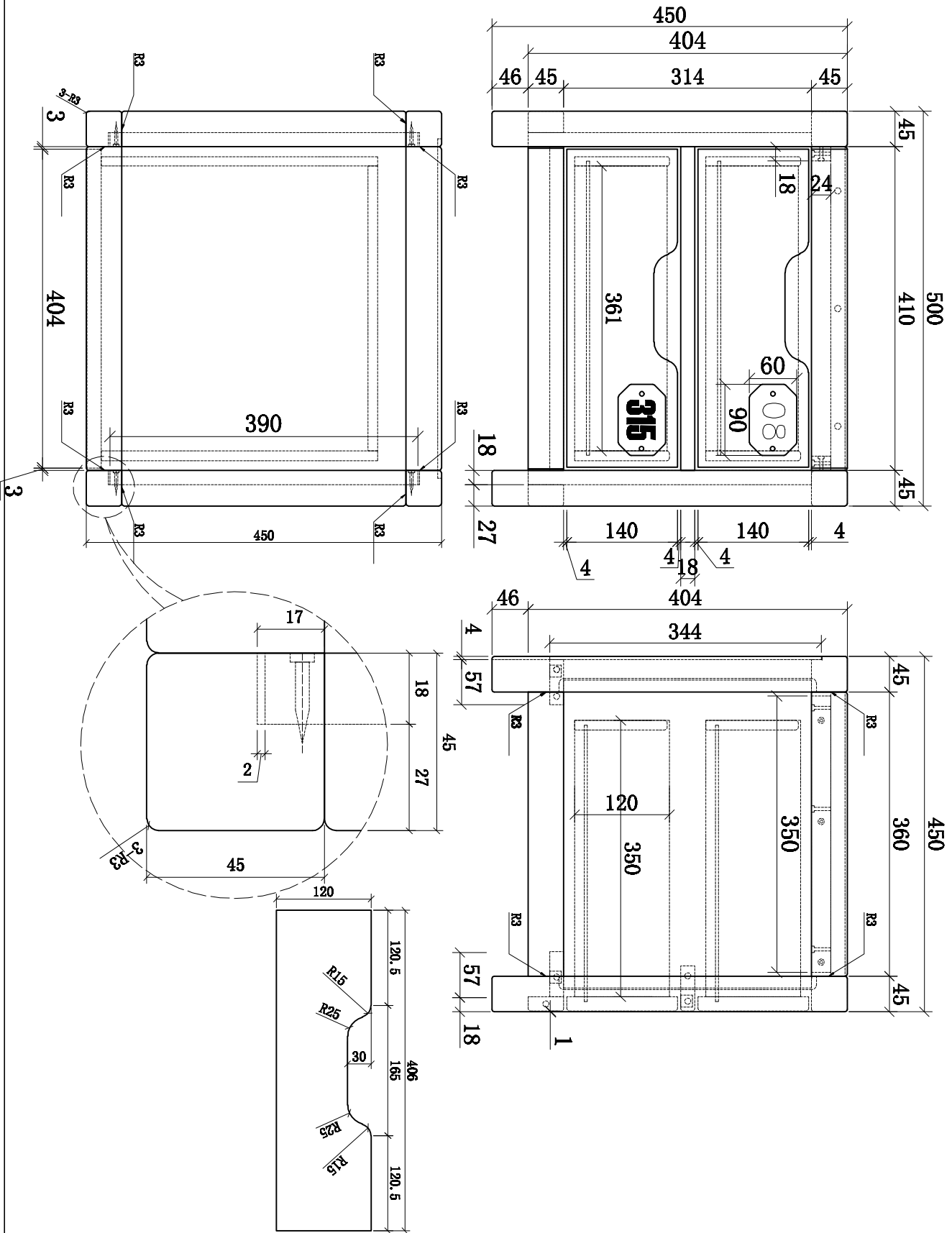
COPYRIGHT © 2021 VIPACK, ALL RIGHTS RESERVED

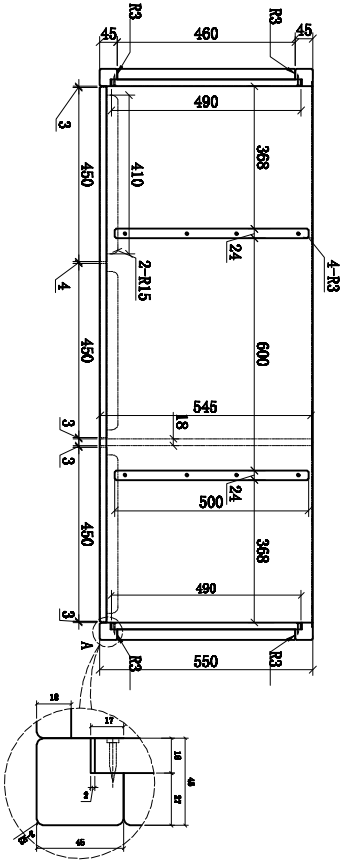
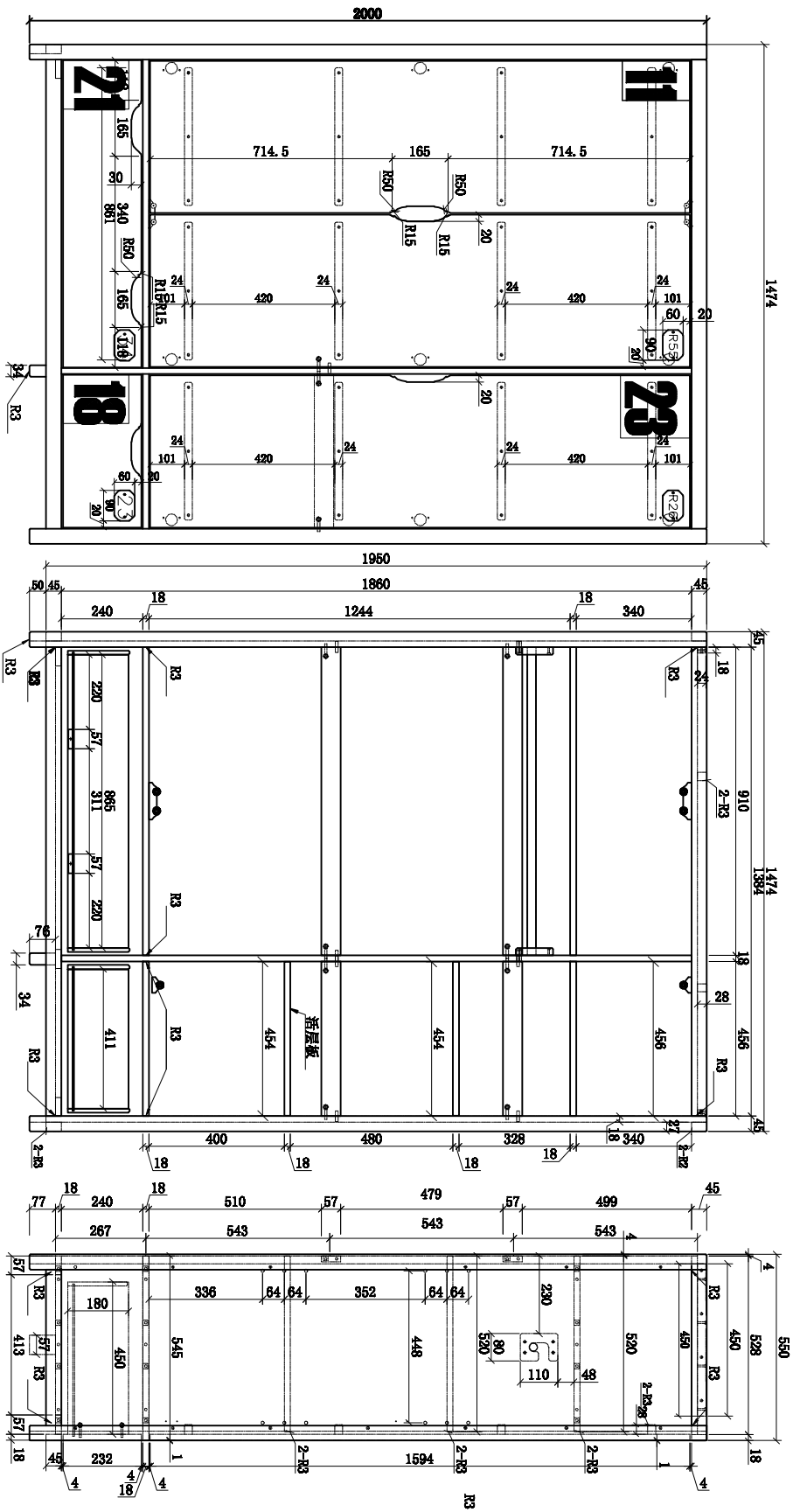
All contents on this document are protected by copyright & patents. Except as specifically permitted herein, no portion of the information on this document may be reproduced in any form, or by any means, without prior written permission from Vipack bvba. No parts of the designs and the products can be copied or transmitted. Product and drawings under Patent and Copyright

AXBE9019

**VIPACK**  
FURNITURE  
Deken Debostraat 70a B-8791 Beveren-Leie







All contents on this document are protected by copyright & patents. Except as specifically permitted herein, no portion of the information on this document may be reproduced in any form, or by any means, without prior written permission from Vipack bvba. No parts of the designs and the products can be copied or transmitted. Product and drawings under Patent and Copyright!

AXKL1319



COPYRIGHT© 2018 VIPACK, ALL RIGHTS RESERVED

