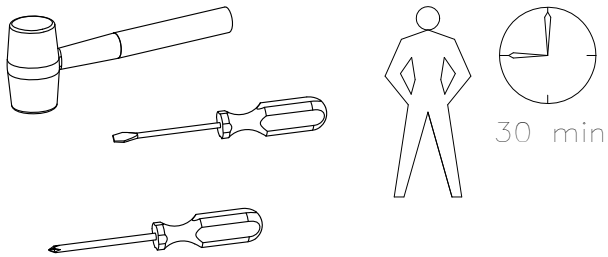
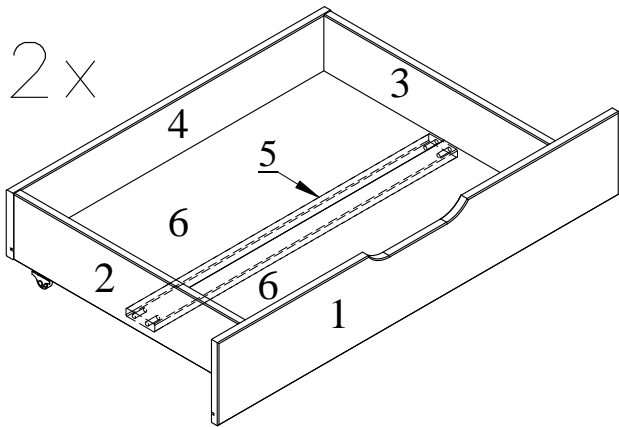
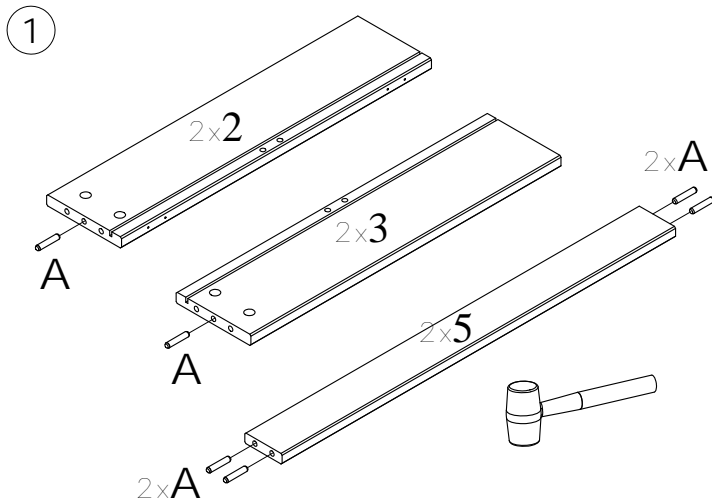


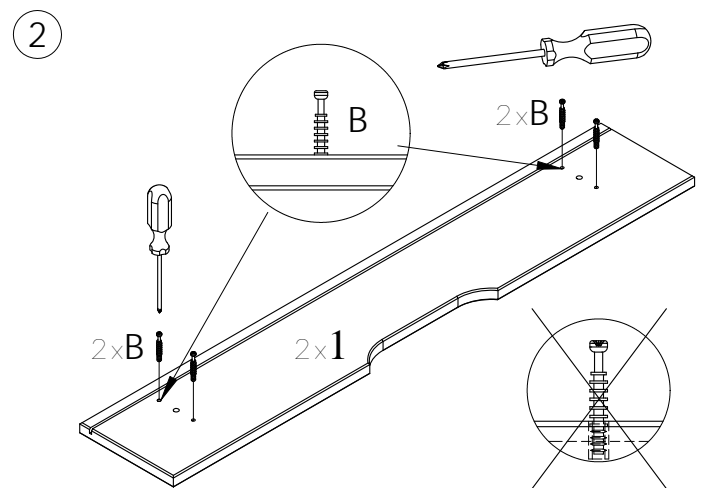
PIBELA10, PIBELA14



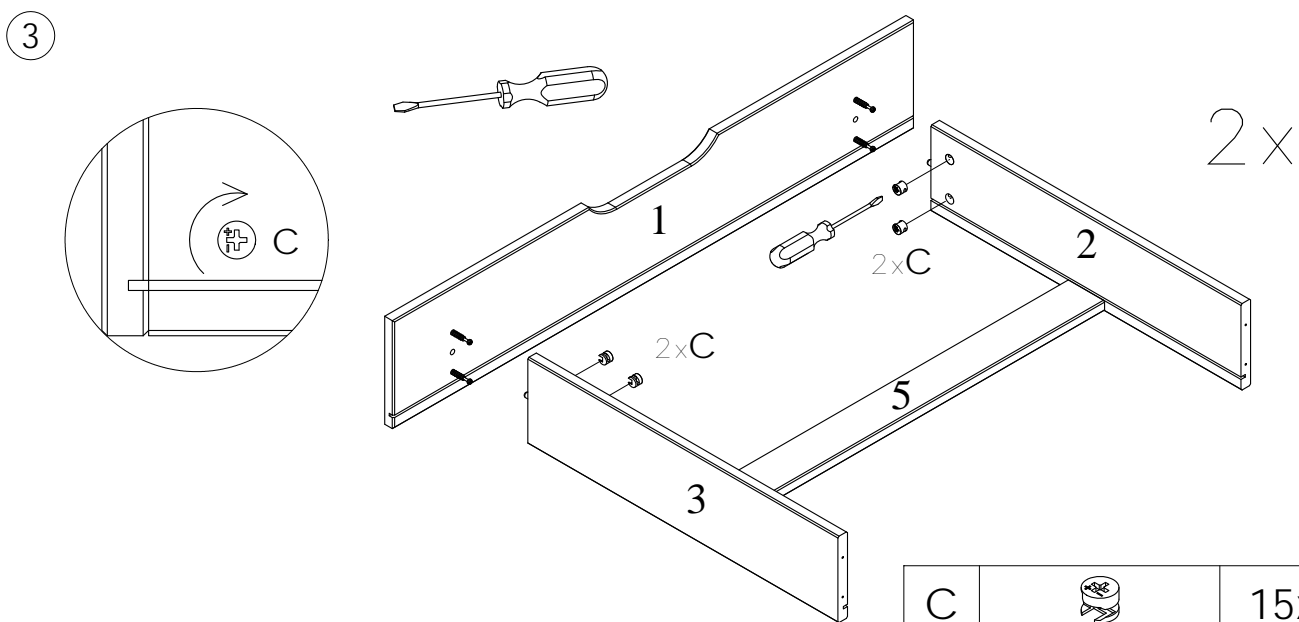
A		8x40	x12
B		7x34	x8
C		15x12	x8
D		3,5x40	x8
E		D=26	x8
F		3,5x16	x16
G		1,6x16	x20
H		28x25x20	x3
J		5x45	x3



A		8x40	x12
---	--	------	-----

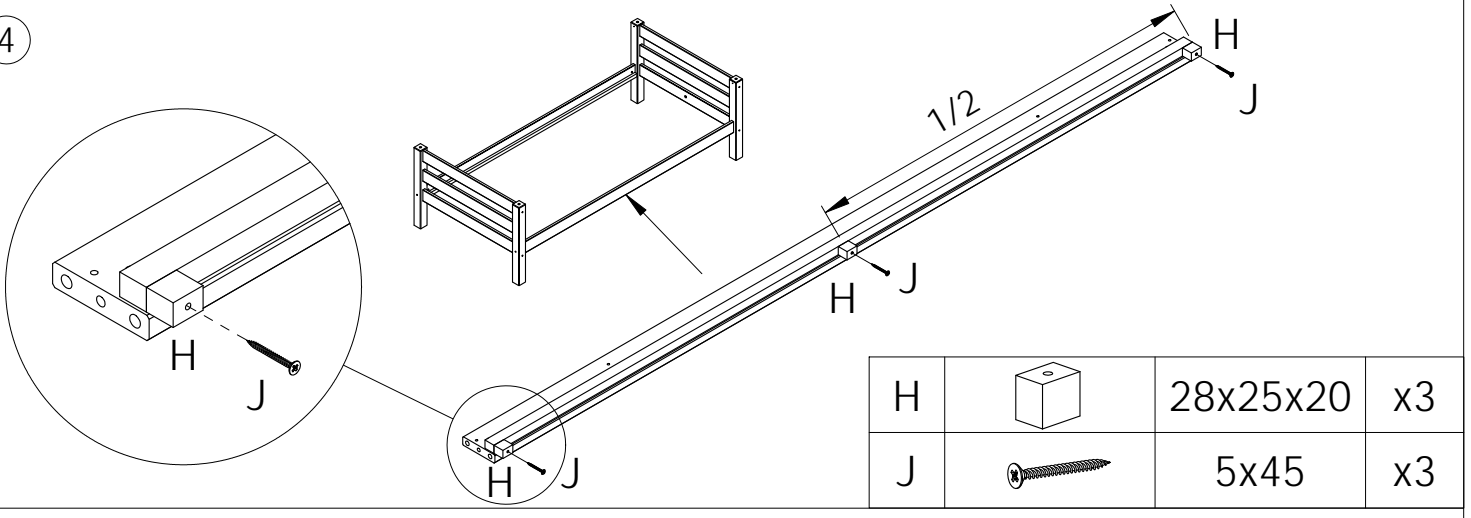


B		7x34	x8
---	--	------	----



C		15x12	x8
---	--	-------	----

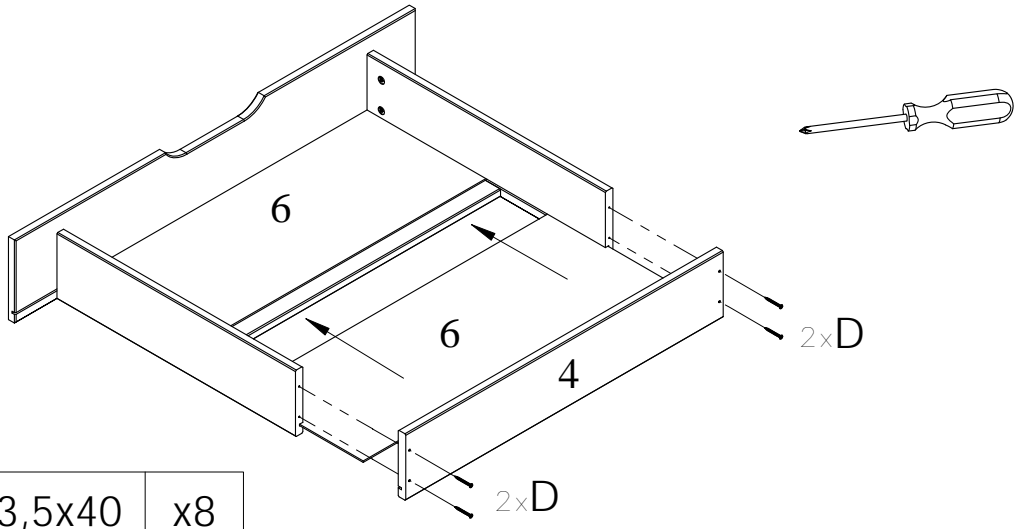
4



H		28x25x20	x3
J		5x45	x3

5

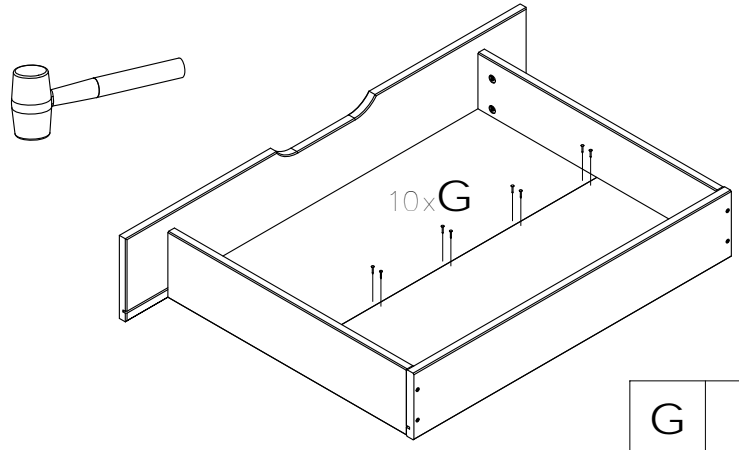
2x



D		3,5x40	x8
---	--	--------	----

6

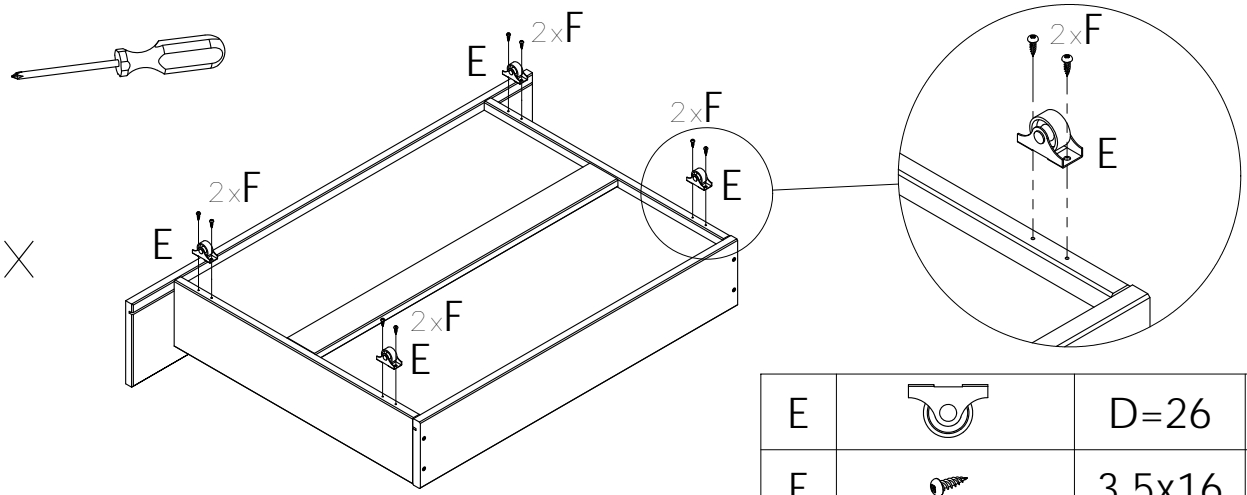
2x



G		1,6x16	x20
---	--	--------	-----

7

2x



E		D=26	x8
F		3,5x16	x16