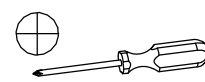
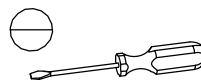
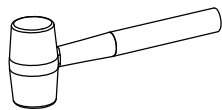
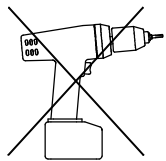


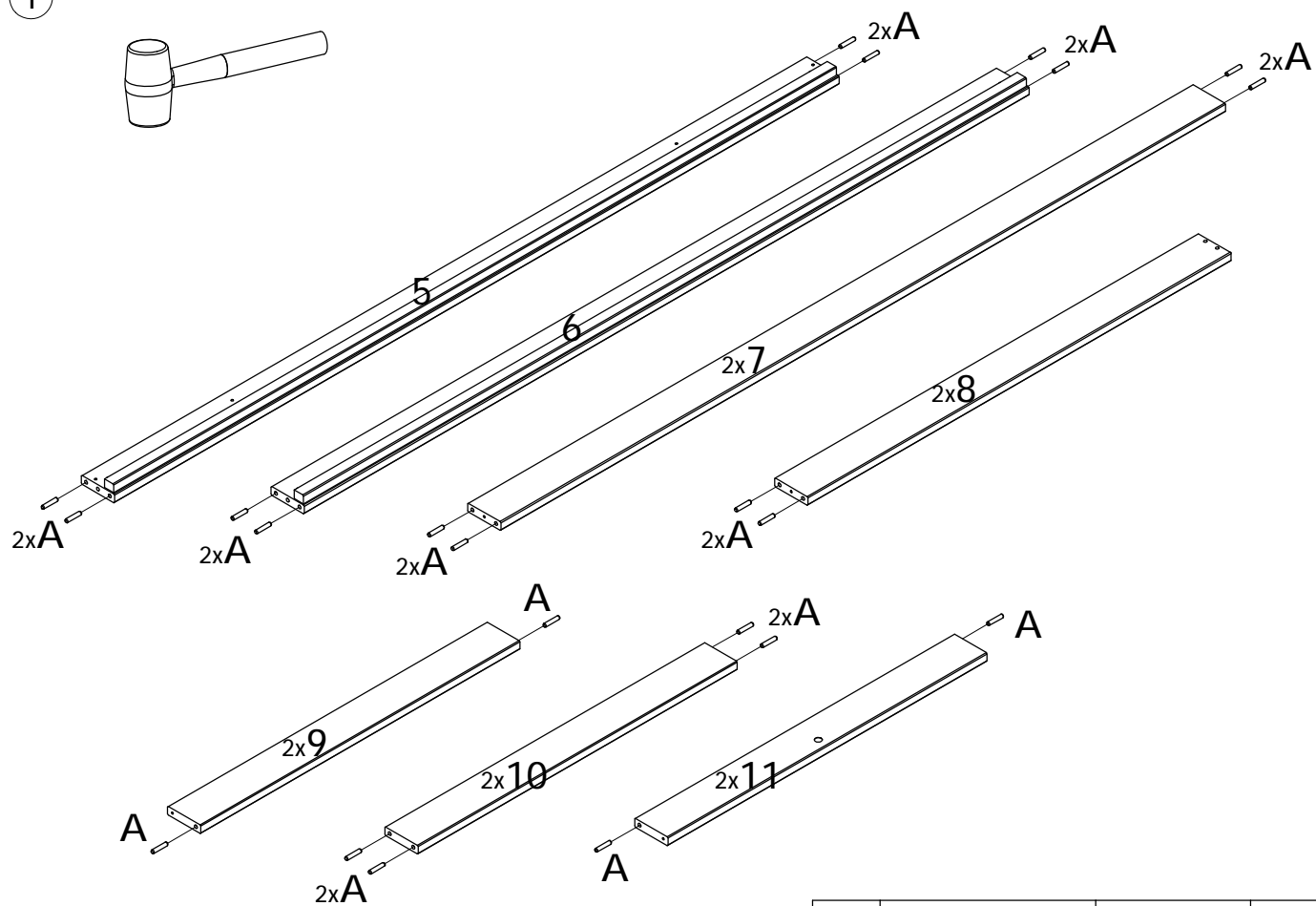
Ladder can be fitted right or left side.




A		8x40	x36
B		6,3x90	x11
C		6,3x105	x1
D		M6x70	x1
E		M6x90	x4
F		M6x10x13	x4
G		M6x8x15x15	x1
H		7x50	x16

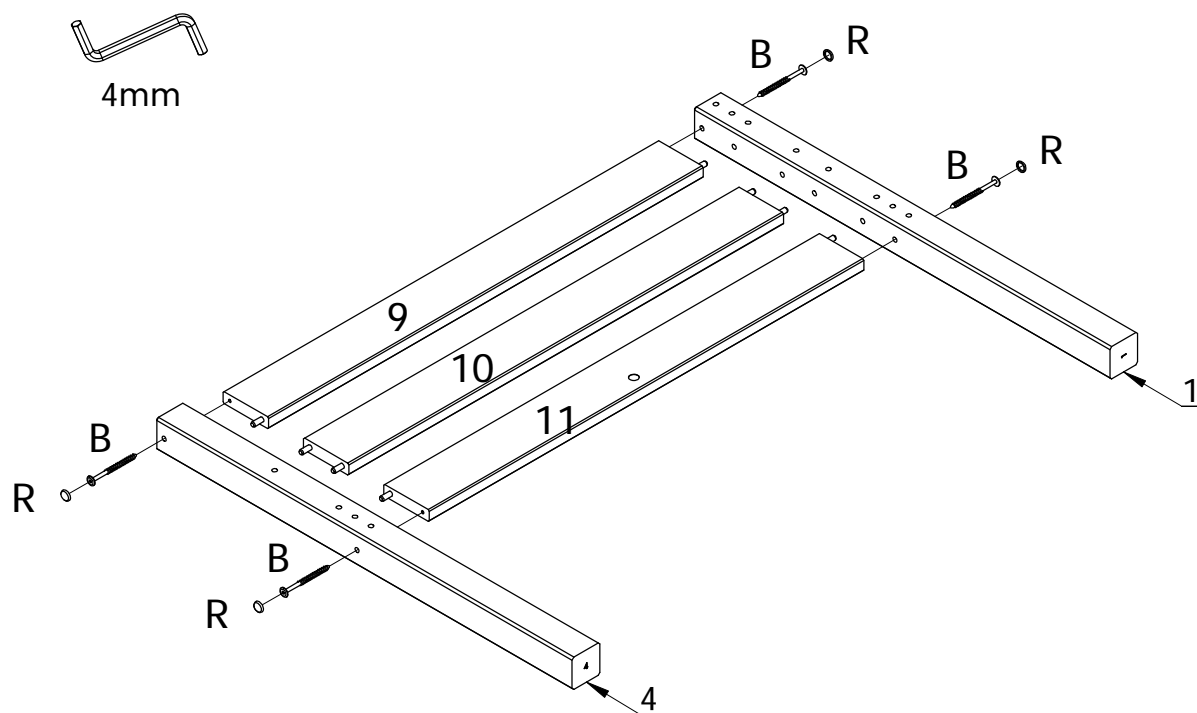
J		55/12,2x5	x8
K		5x30	x6
L		4,2x35	x2
M		3,5x40	x6
N		D4x13	x16
P		D8x13	x2
R		D15x18	x18
S		4mm	x2



1



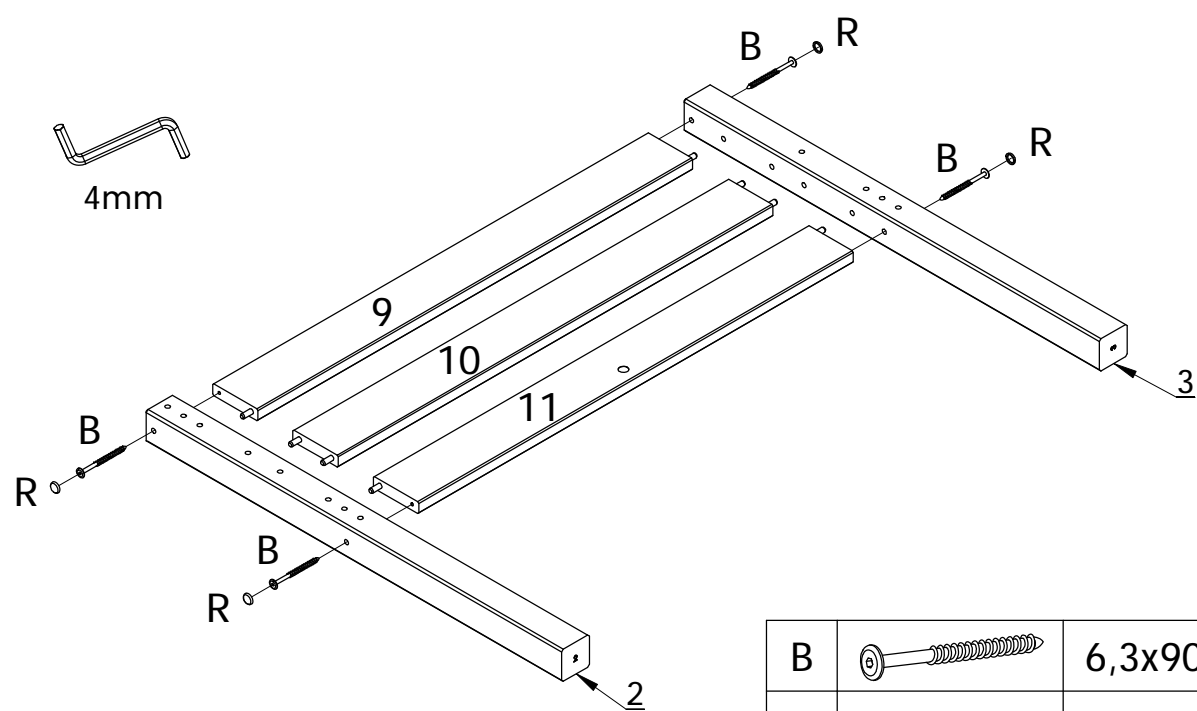
A		8x40	x36
---	---	------	-----

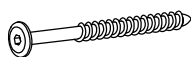

2



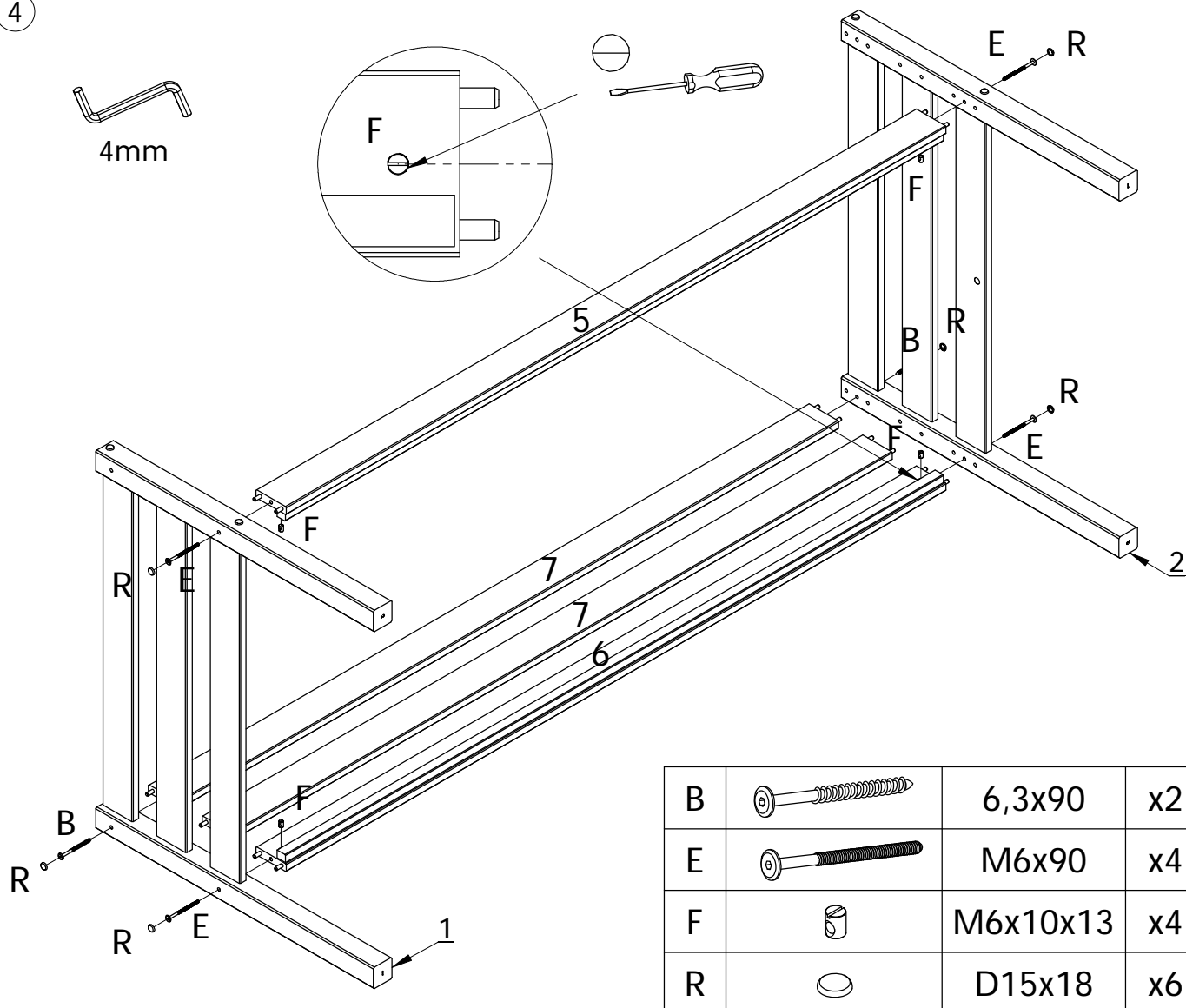
B		6,3x90	x4
R		D15x18	x4

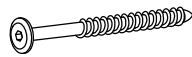



3



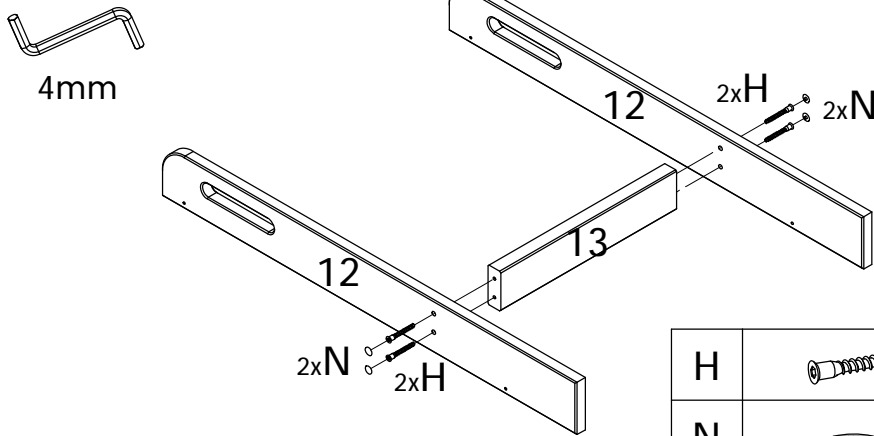
B		6,3x90	x4
R		D15x18	x4

4



B		6,3x90	x2
E		M6x90	x4
F		M6x10x13	x4
R		D15x18	x6

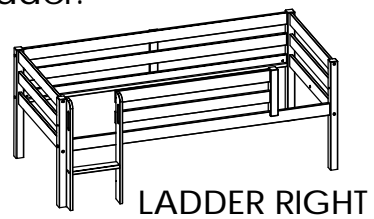
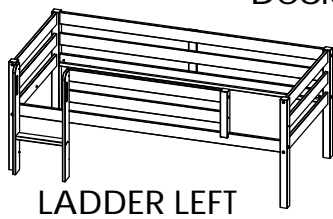
5



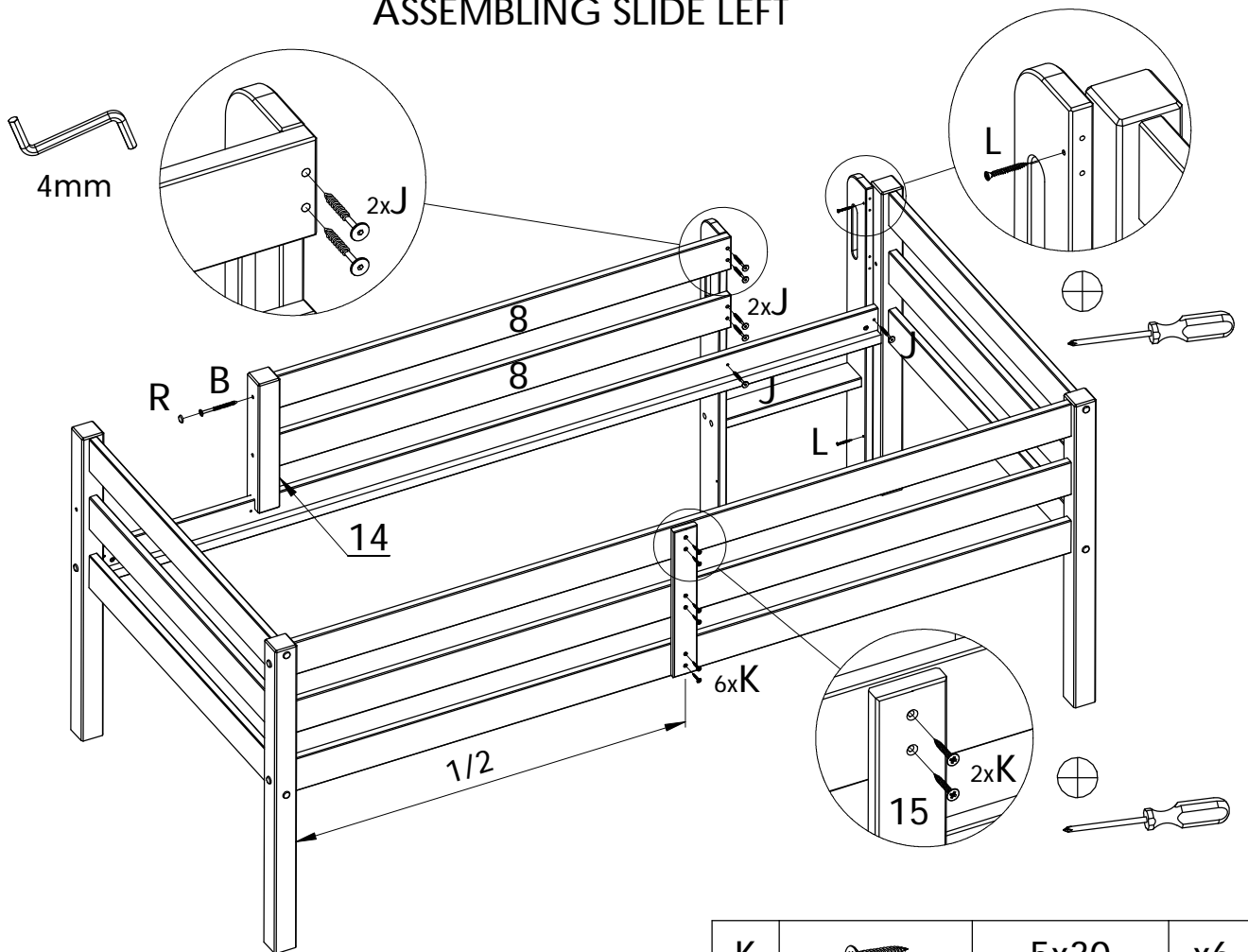
H		7x50	x4
N		D4x13	x4

6

Decide which side to attach ladder.



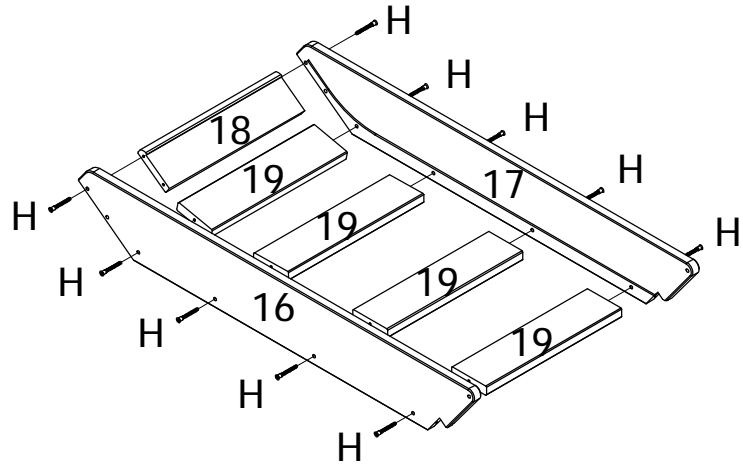
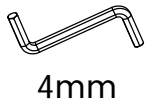
ASSEMBLING SLIDE LEFT




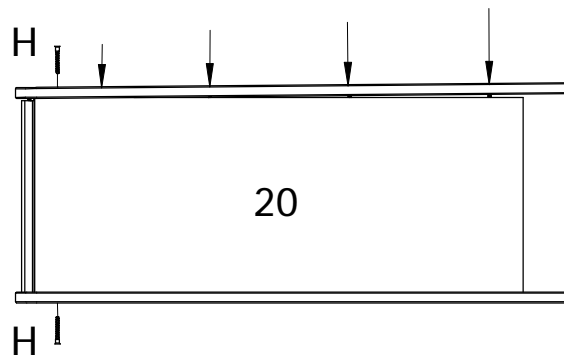
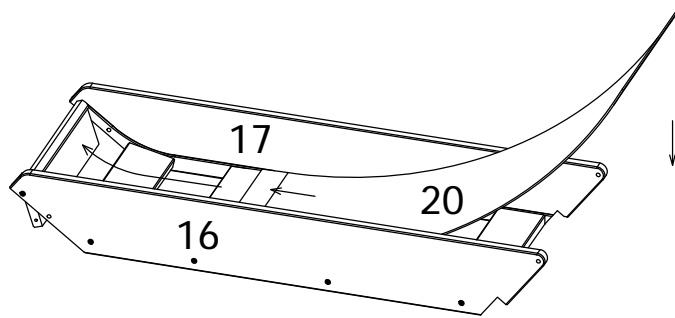
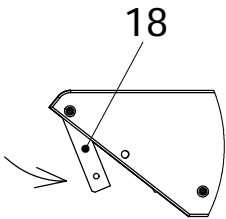
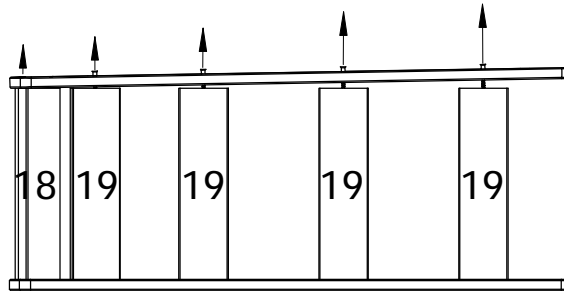
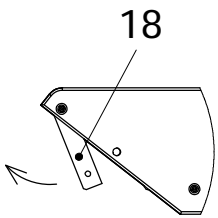
B		6,3x90	x1
R		D15x18	x1


K		5x30	x6
L		4,2x35	x2
J		55x12,2x5	x6

7

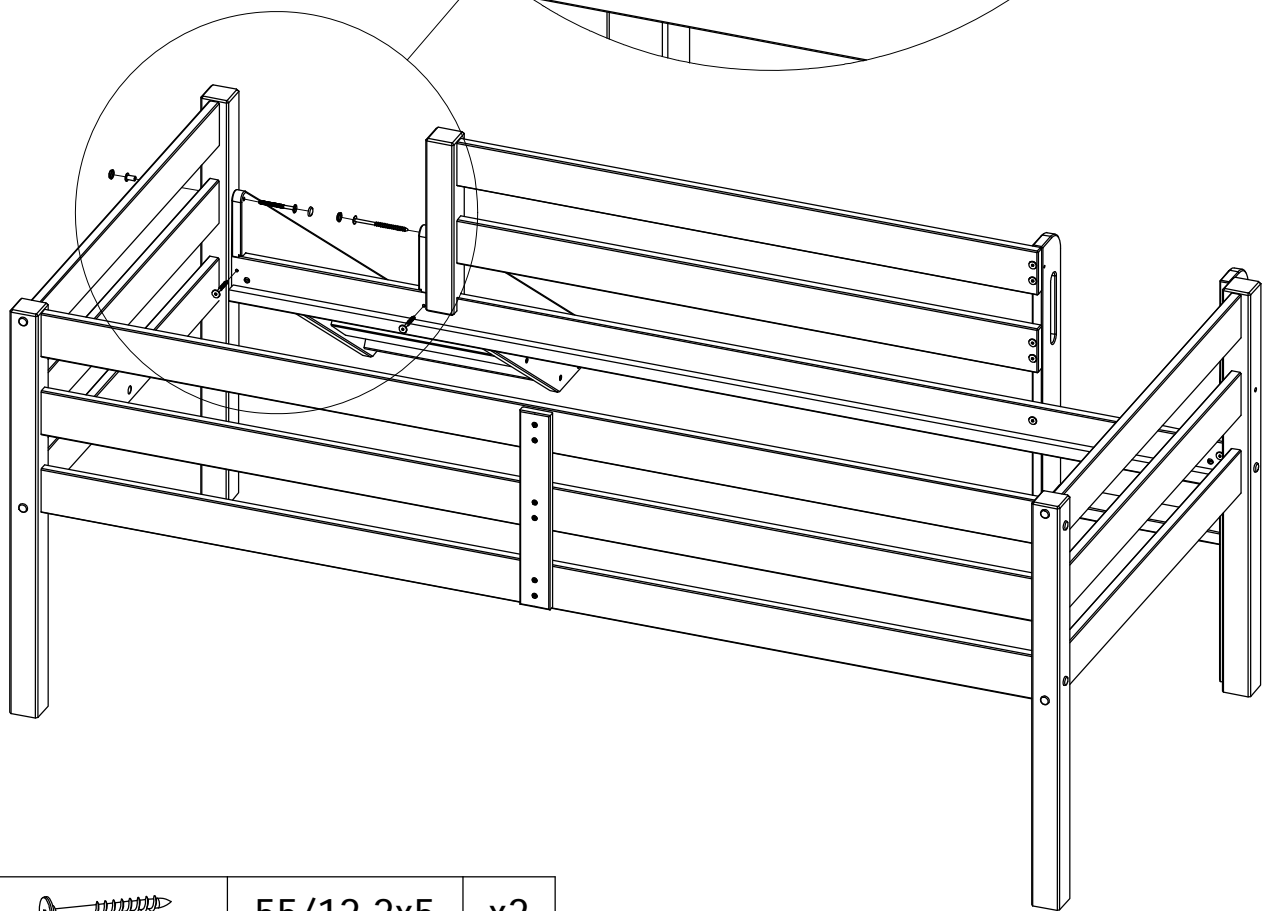
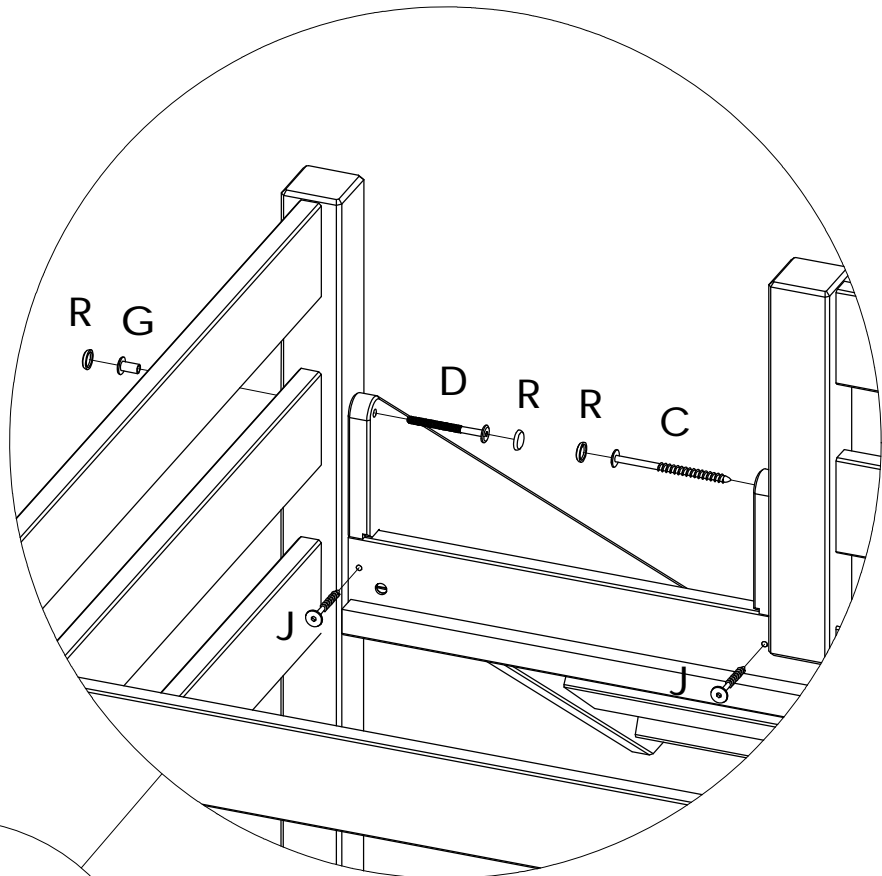
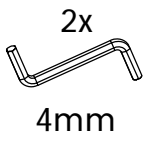


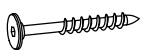

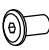
H		7x50	x10
---	---	------	-----





H		7x50	x2
---	---	------	----

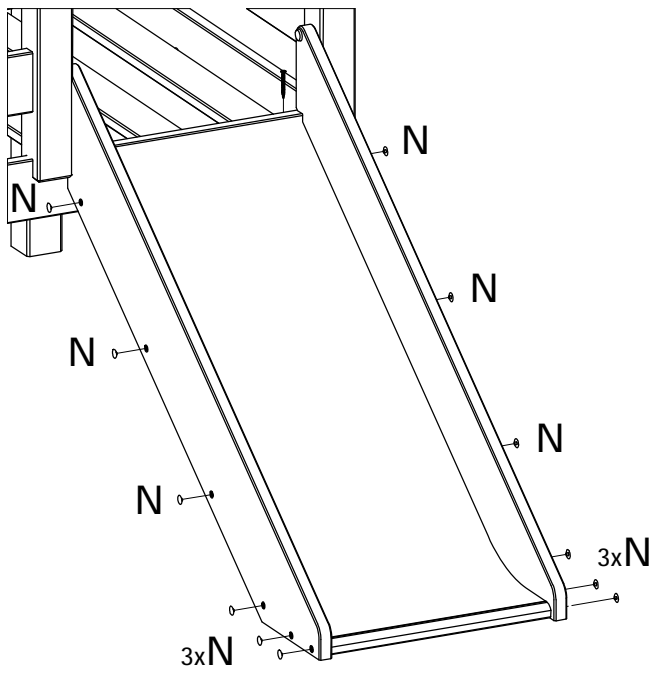
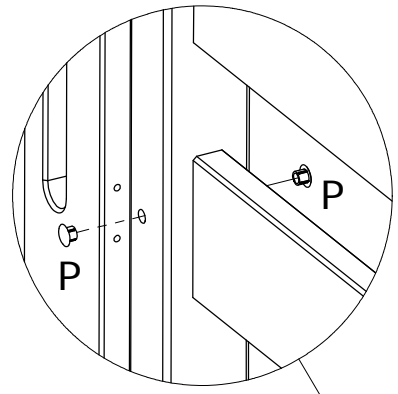
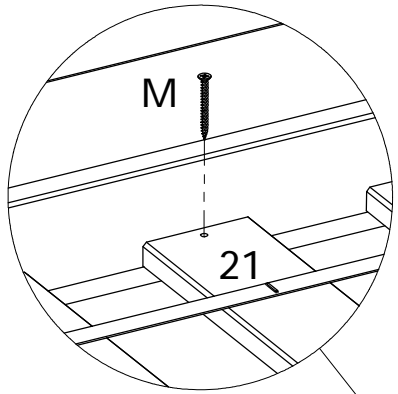
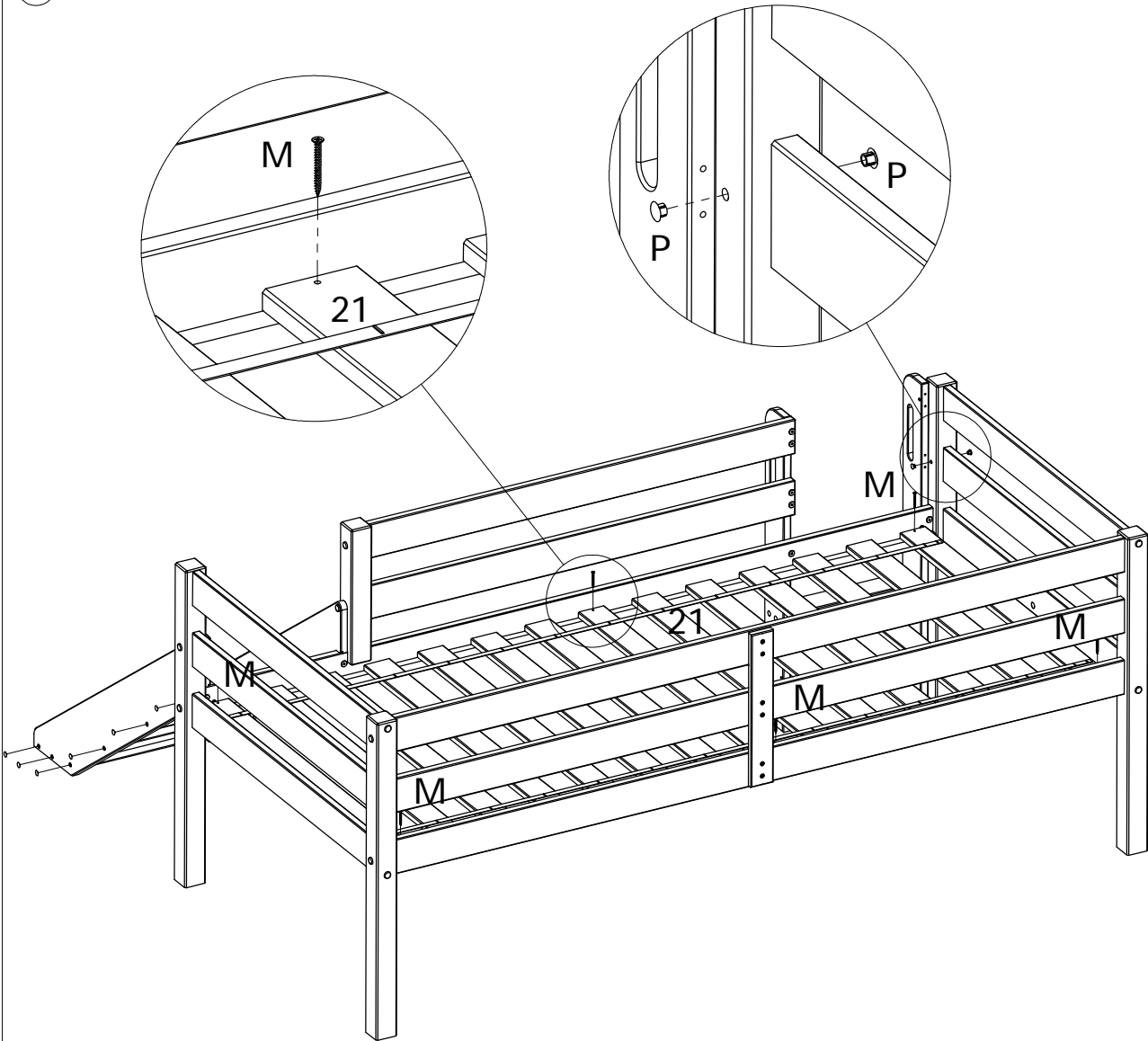
8






J		55/12,2x5	x2
D		M6x70	x1
G		M6x8x15x15	x1

C		6,3x105	x1
R		D15x18	x3

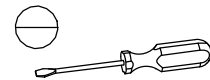
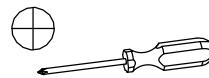
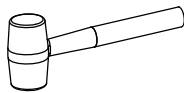
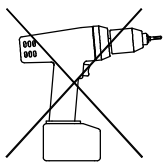
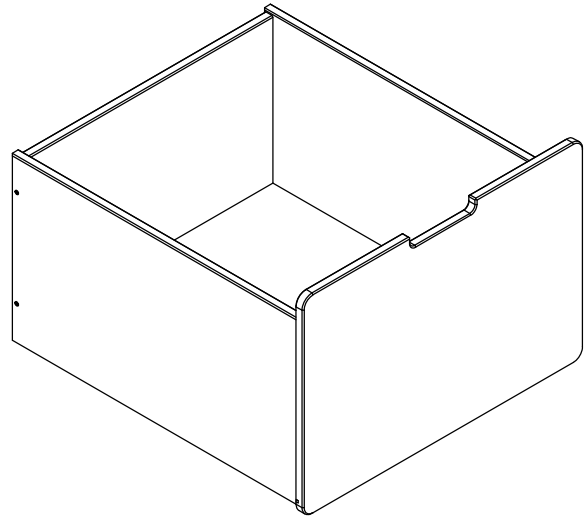
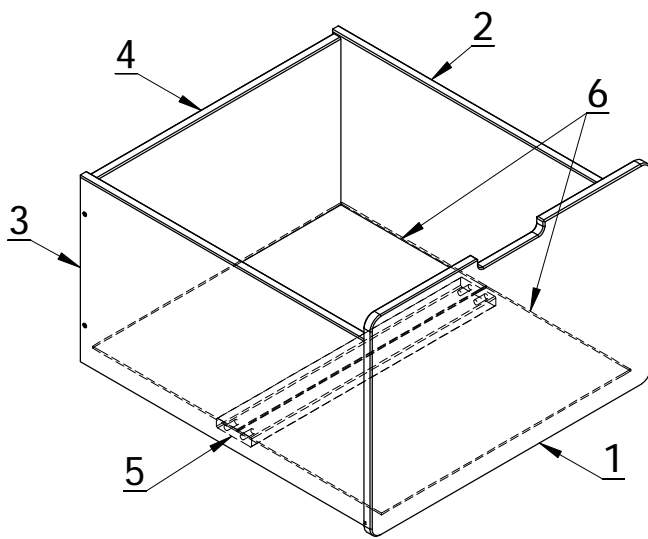
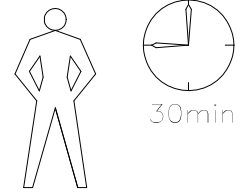
9



N		D4x13	x12
P		D8x13	x2
M		3,5x40	x6

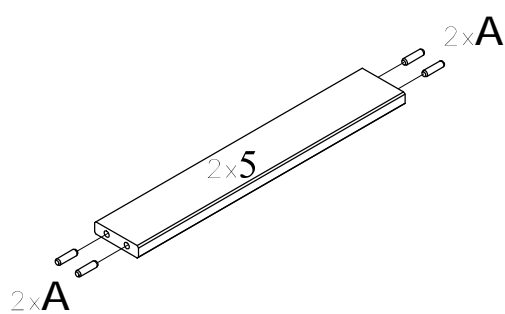
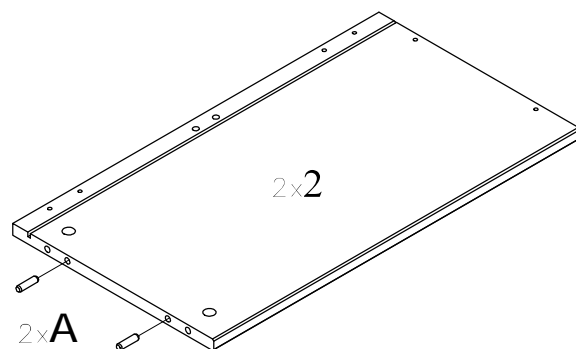
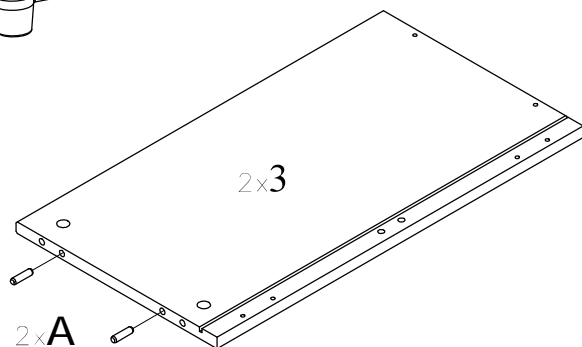
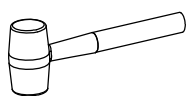


2VS64-108
2VS64-119



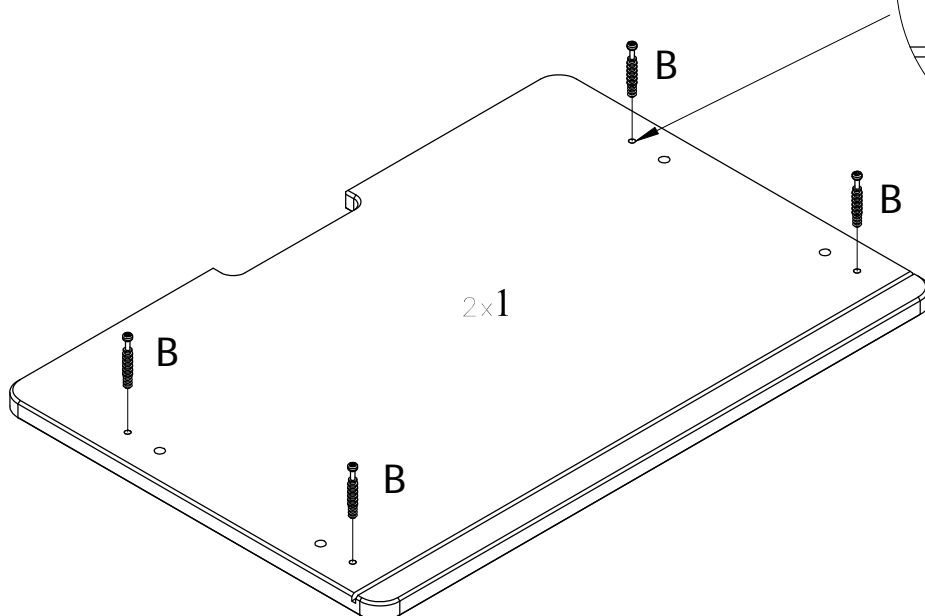
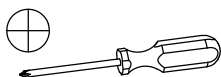
A		8x30	x16
B		7x34	x8
C		15x12	x8
D		5x38	x8
E		H-484	x2
F		D35	x8
G		12/6,3x7,7	x16

①



A		8x30	x16
---	---	------	-----

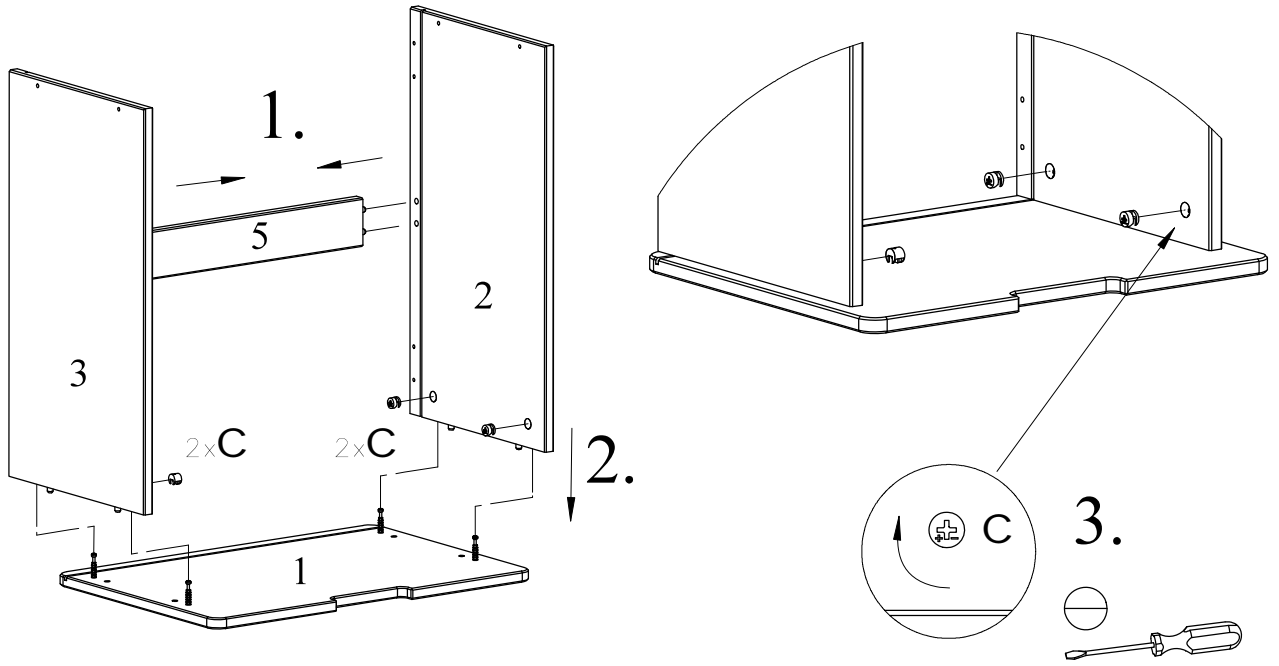
②




B		7x34	x8
---	---	------	----

3

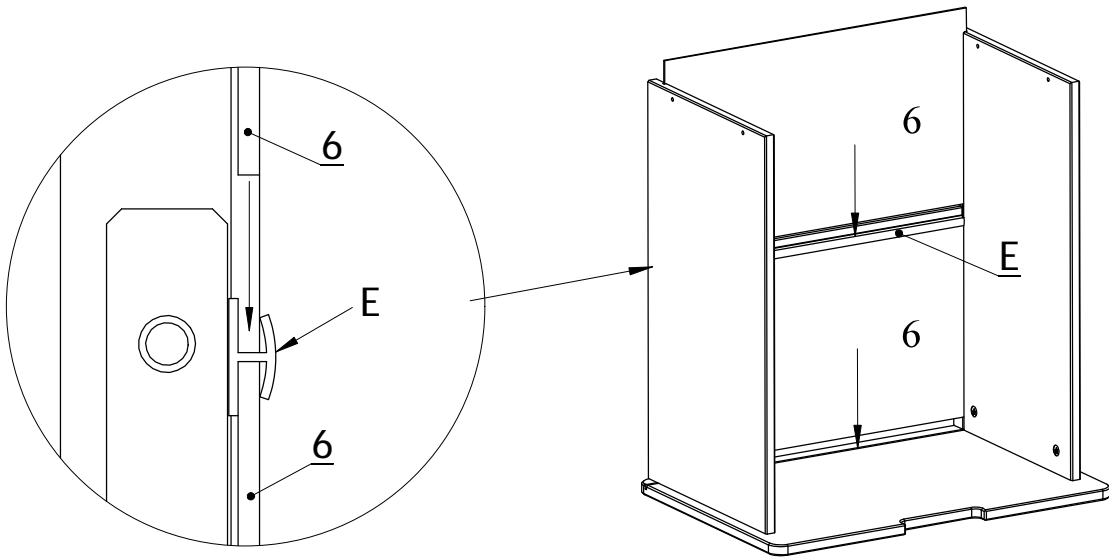
2x



C		15x12	x8
---	---	-------	----

4

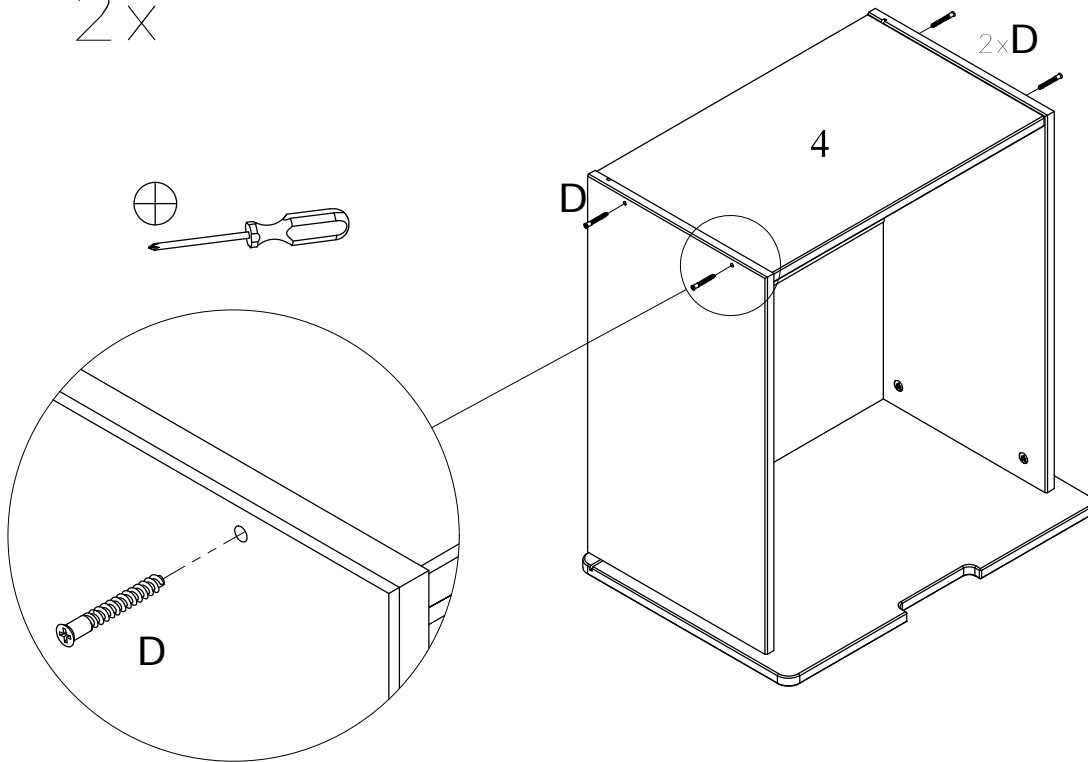
2x




E		H-484	x2
---	--	-------	----

5

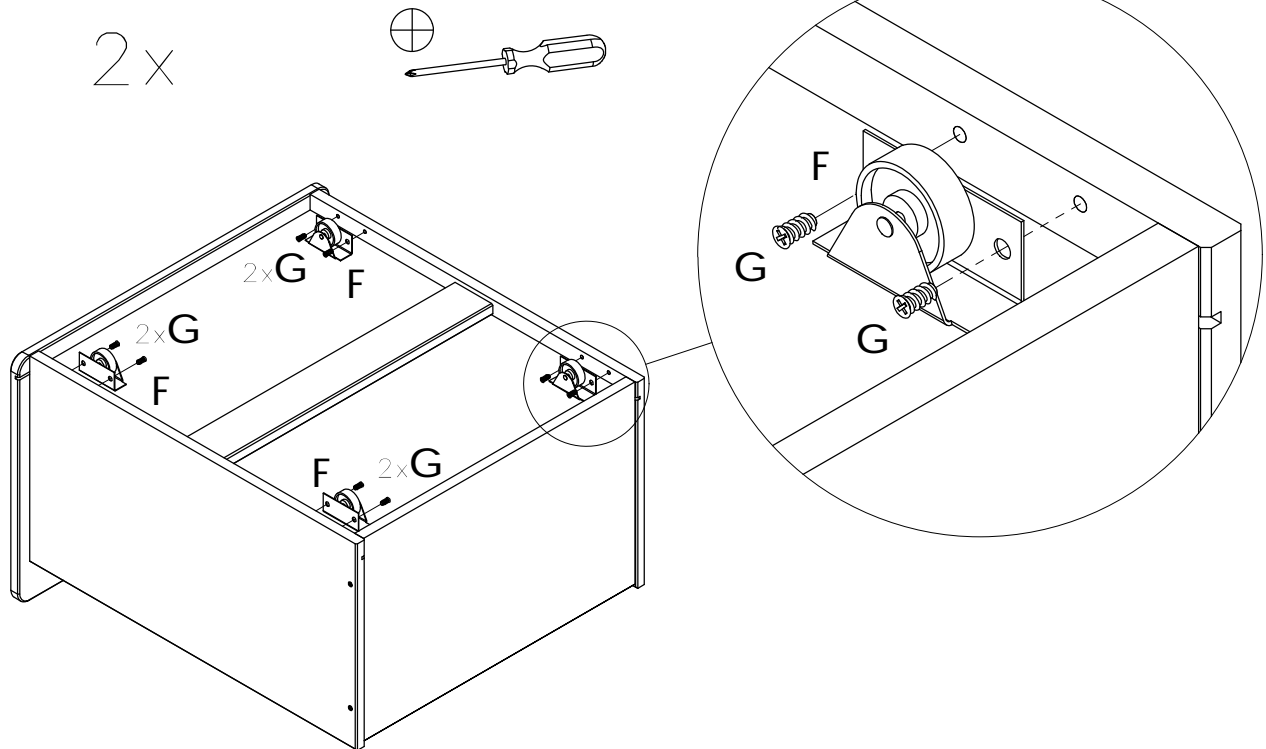
2x

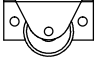



D		5x38	x8
---	---	------	----

6

2x



F		D35	x8
G		12/6,3x7,7	x16