

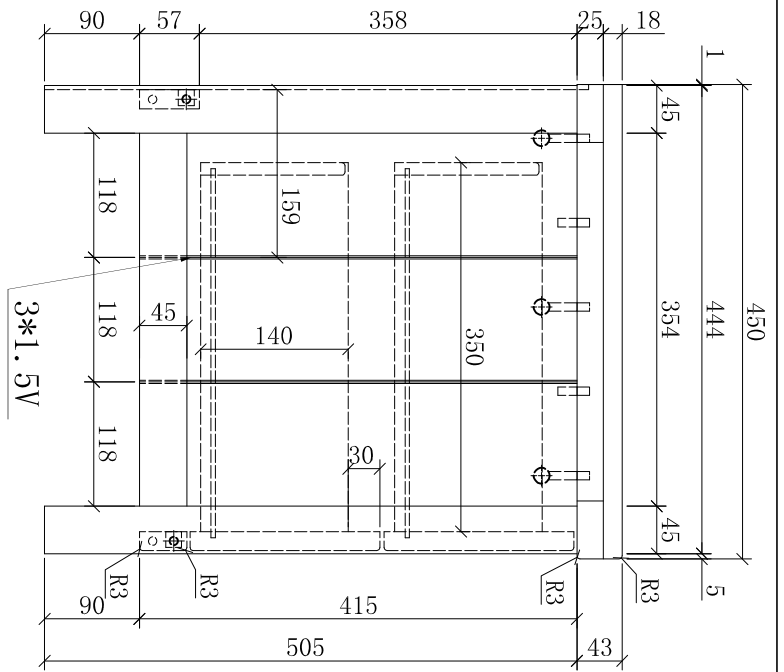
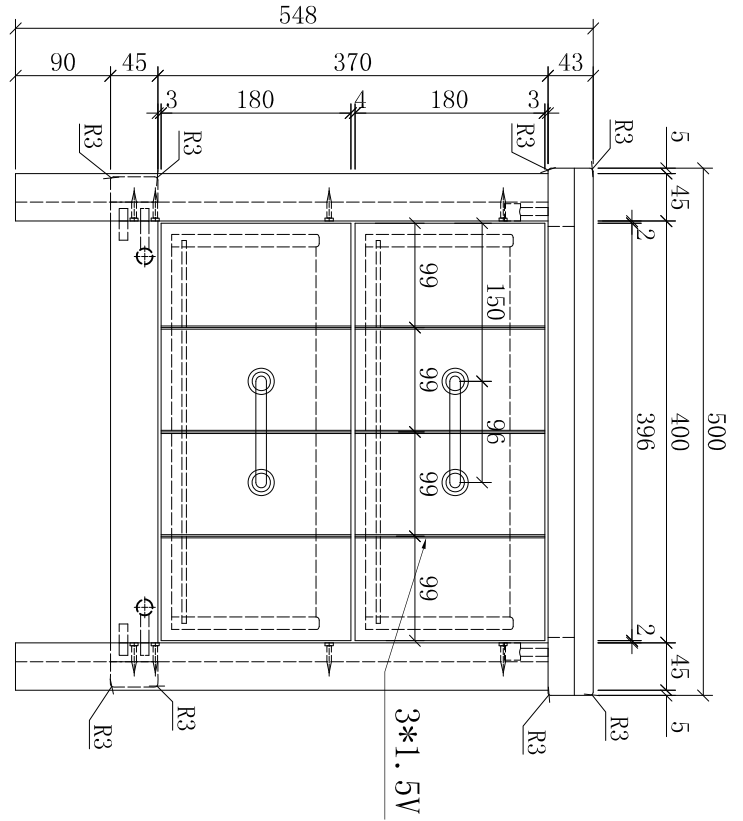
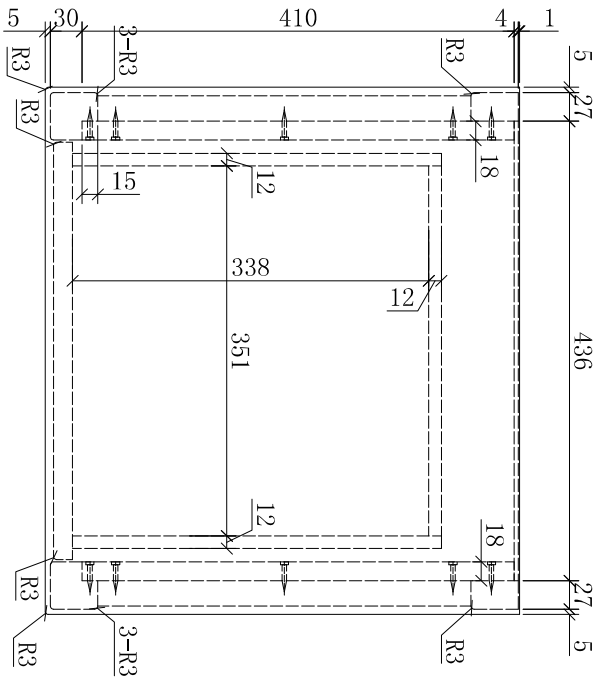
LEBE9014

COPYRIGHT © 2018 VIPACK, ALL RIGHTS RESERVED

All contents on this document are protected by copyright & patents. Except as specifically permitted herein, no portion of the information on this document may be reproduced in any form, or by any means, without prior written permission from Vipack bvba. No parts of the designs and the products can be copied or transmitted. Product and drawings under Patent and Copyright

VIPACK
FURNITURE

Deken Debostraat 70a B-8791 Beveren-Leie



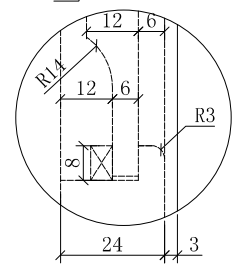
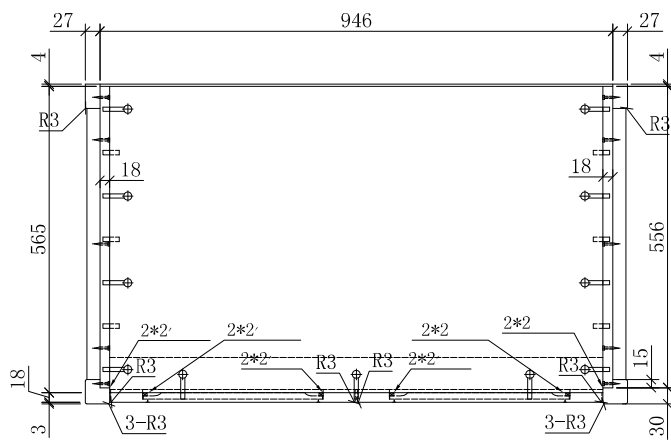
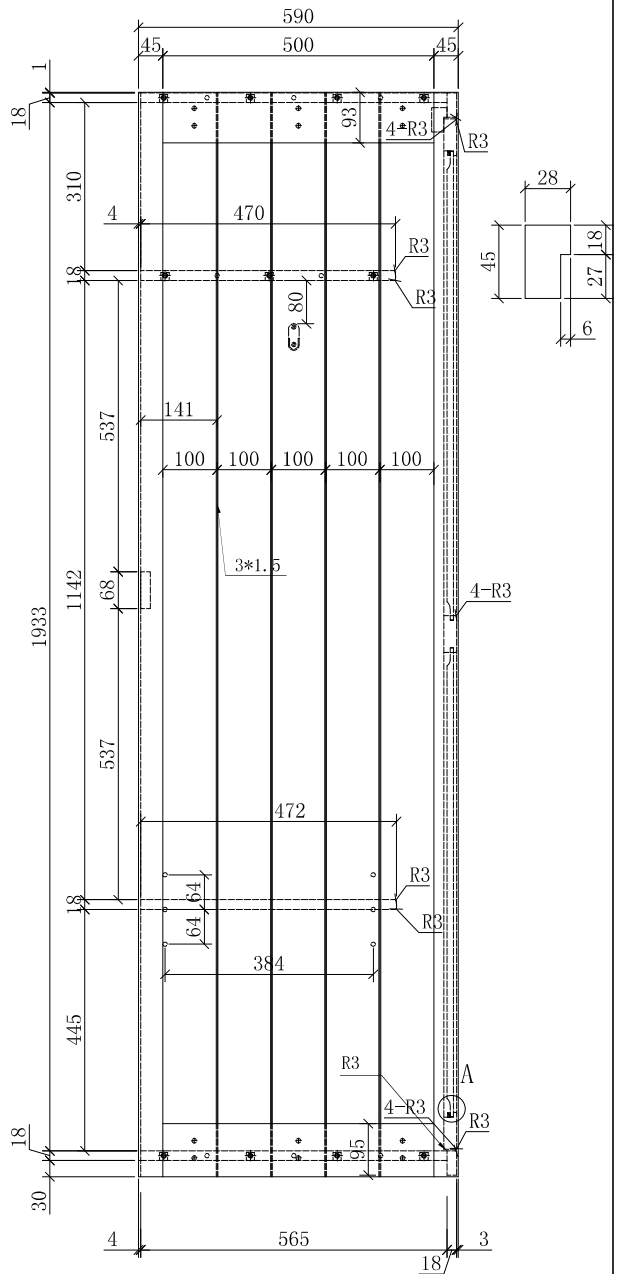
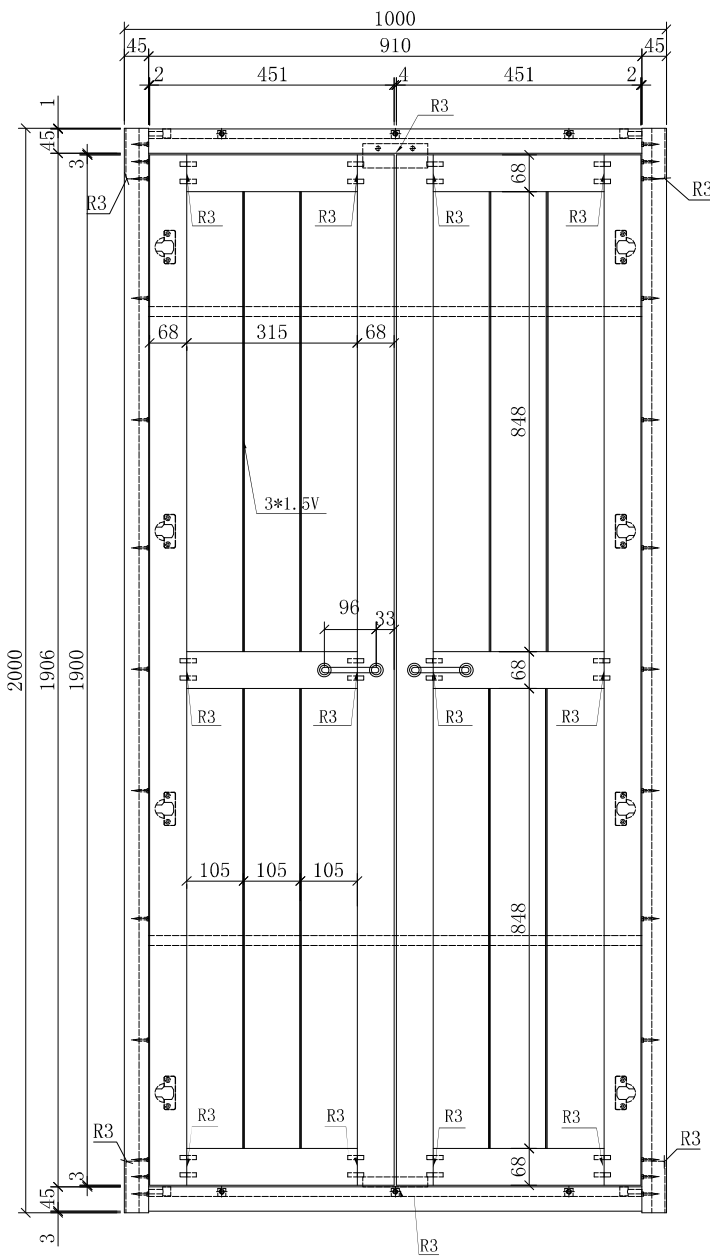
LENA1214

All contents on this document are protected by copyright & patents. Except as specifically permitted herein, no portion of the information on this document may be reproduced in any form, or by any means, without prior written permission from Vipack bvba. No parts of the designs and the products can be copied or transmitted. Product and drawings under Patent and Copyright

VIPACK
FURNITURE

Deken Debostraat 70a B-8791 Beveren-Leie

COPYRIGHT© 2021 VIPACK, ALL RIGHTS RESERVED



LEKL1214

All contents on this document are protected by copyright & patents. Except as specifically permitted herein, no portion of the information on this document may be reproduced in any form, or by any means, without prior written permission from Vipack bvba. No parts of the designs and the products can be copied or transmitted. Product and drawings under Patent and Copyright

VIPACK
FURNITURE

Deken Debostraat 70a B-8791 Beveren-Leie

COPYRIGHT© 2018 VIPACK, ALL RIGHTS RESERVED

